

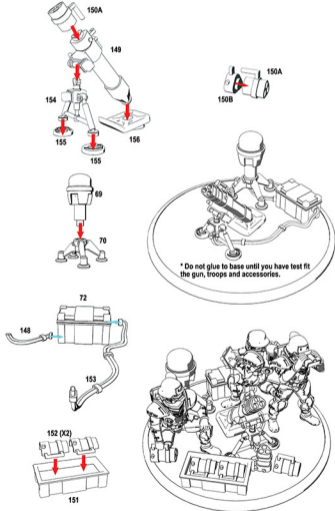


DREAMFORCE-GAMES

EISENKERN SUPPORT WEAPONS SET

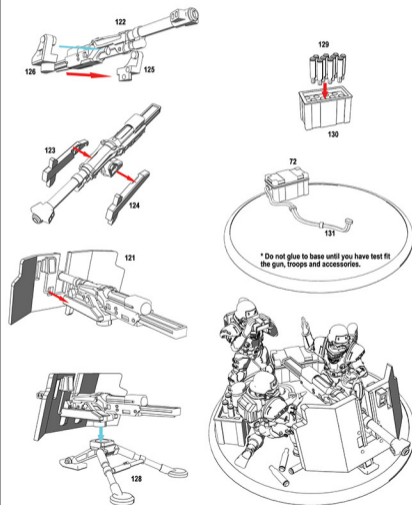
— You may wish to test fit and glue when you are satisfied with the final pose.

→ Glue into position.



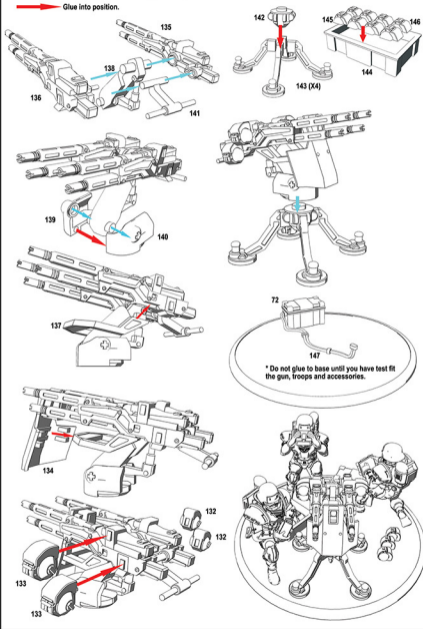
— You may wish to test fit and glue when you are satisfied with the final pose.

→ Glue into position.

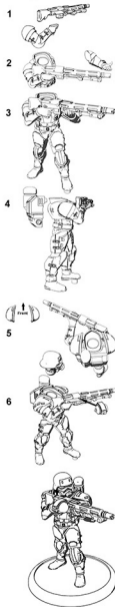


— You may wish to test fit and glue when you are satisfied with the final pose.

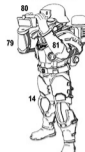
→ Glue into position.



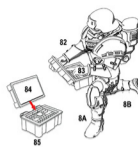
Trooper assembly reference



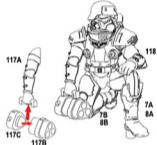
SPOTTER X2



GUNNER/TARGETER X2



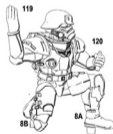
MORTAR LOADER



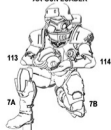
AT-GUN LOADER



AT-GUN GUNNER



AA-GUN LOADER



Remove tab from the foot before gluing to the base.