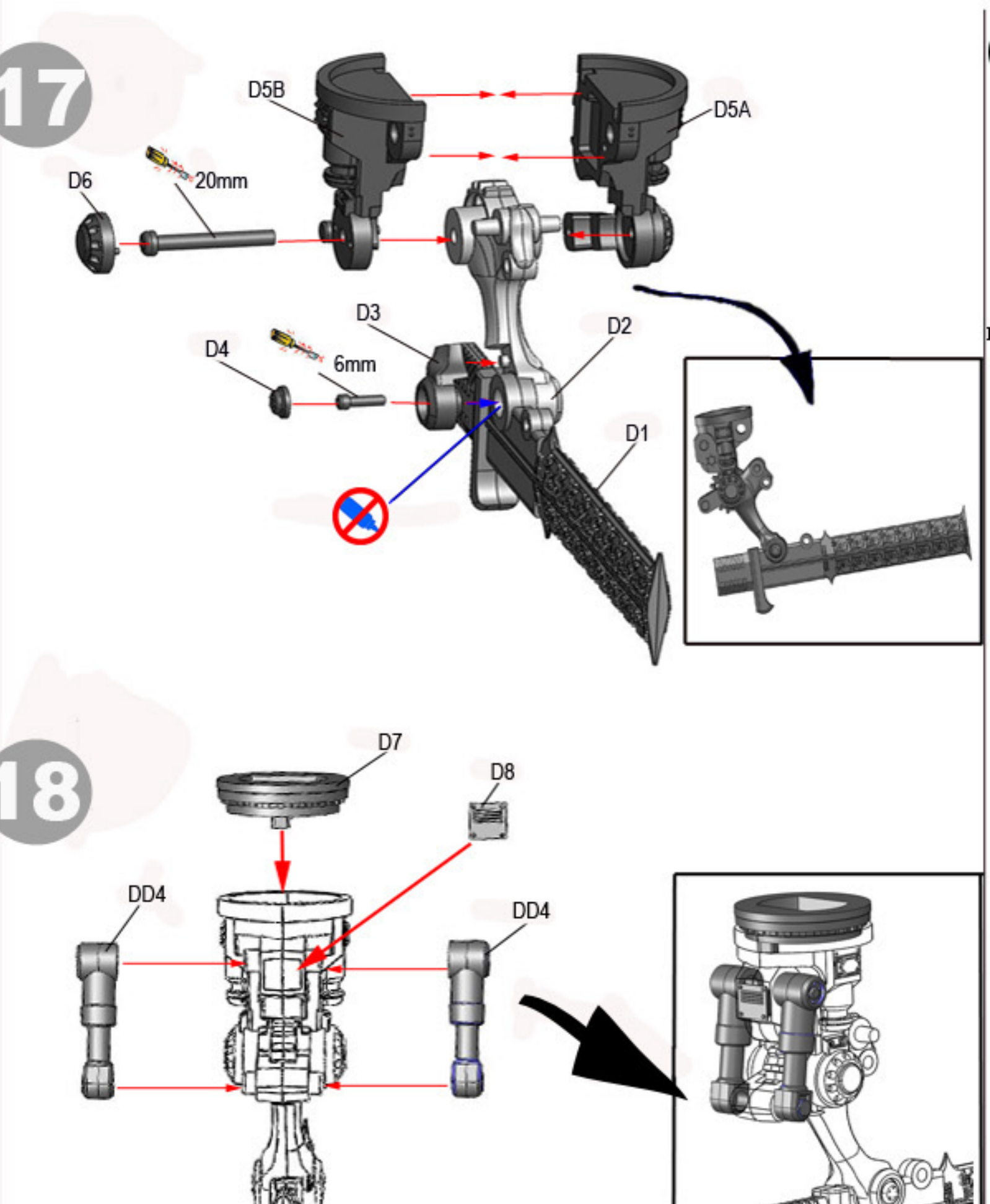
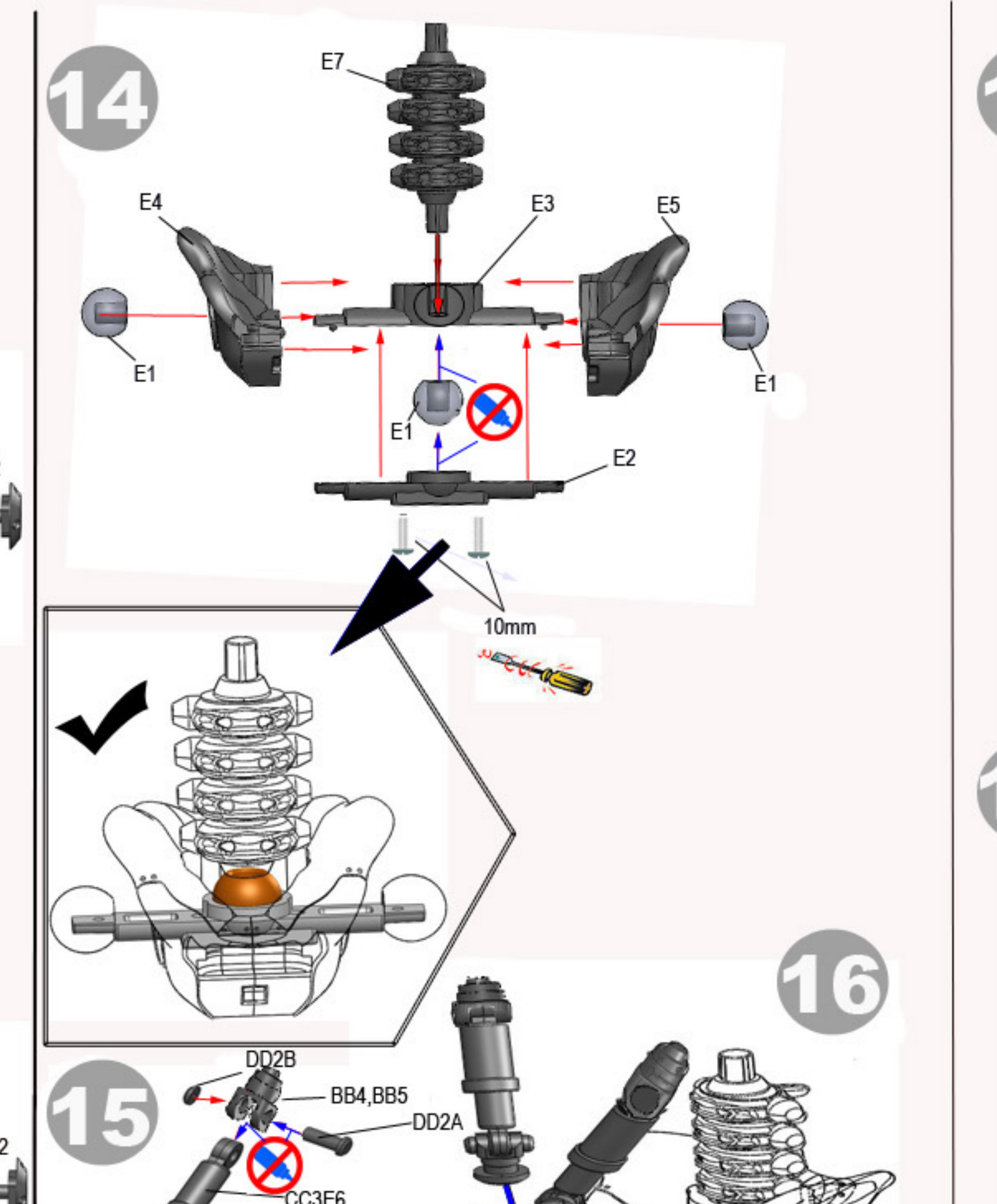
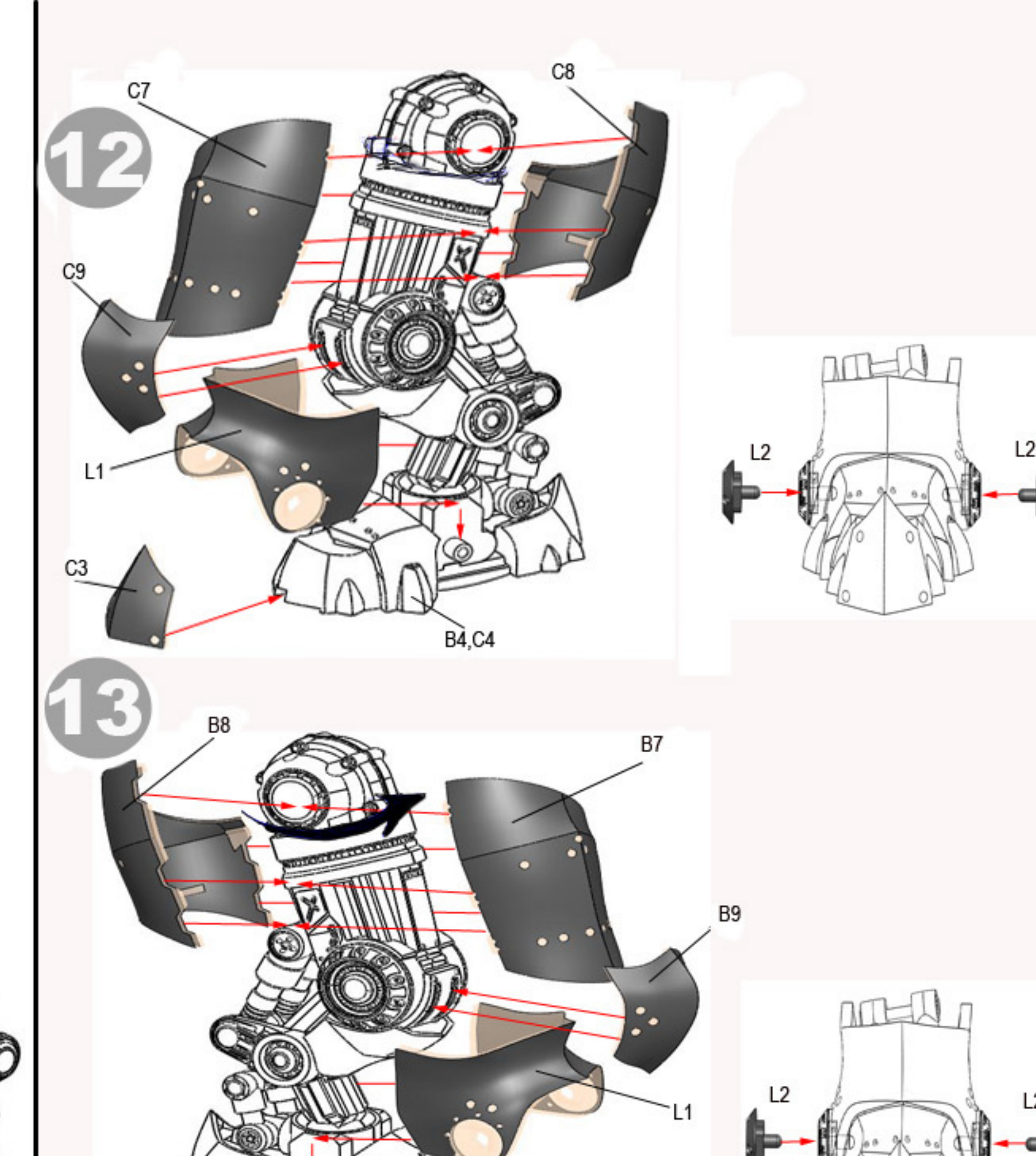
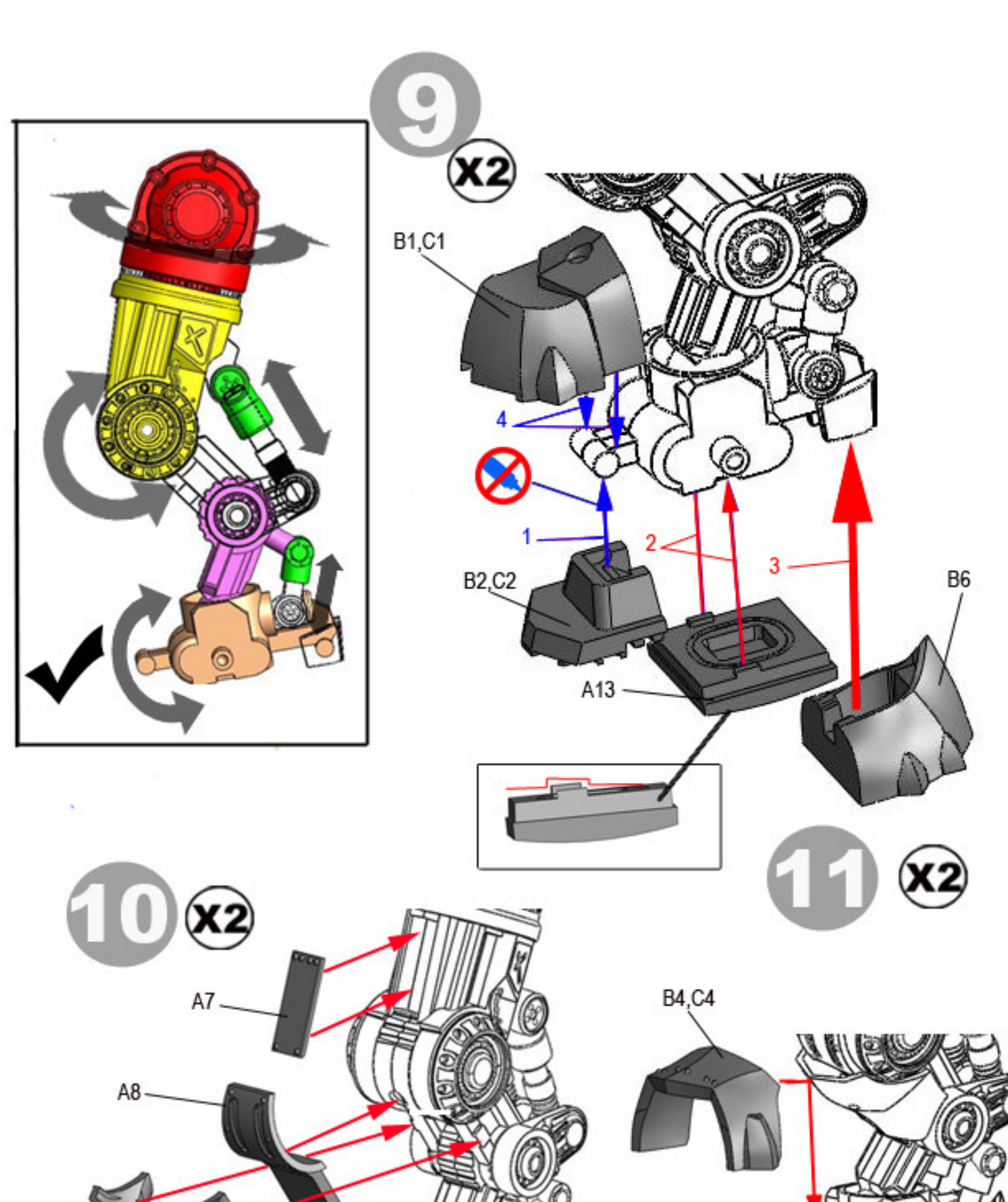
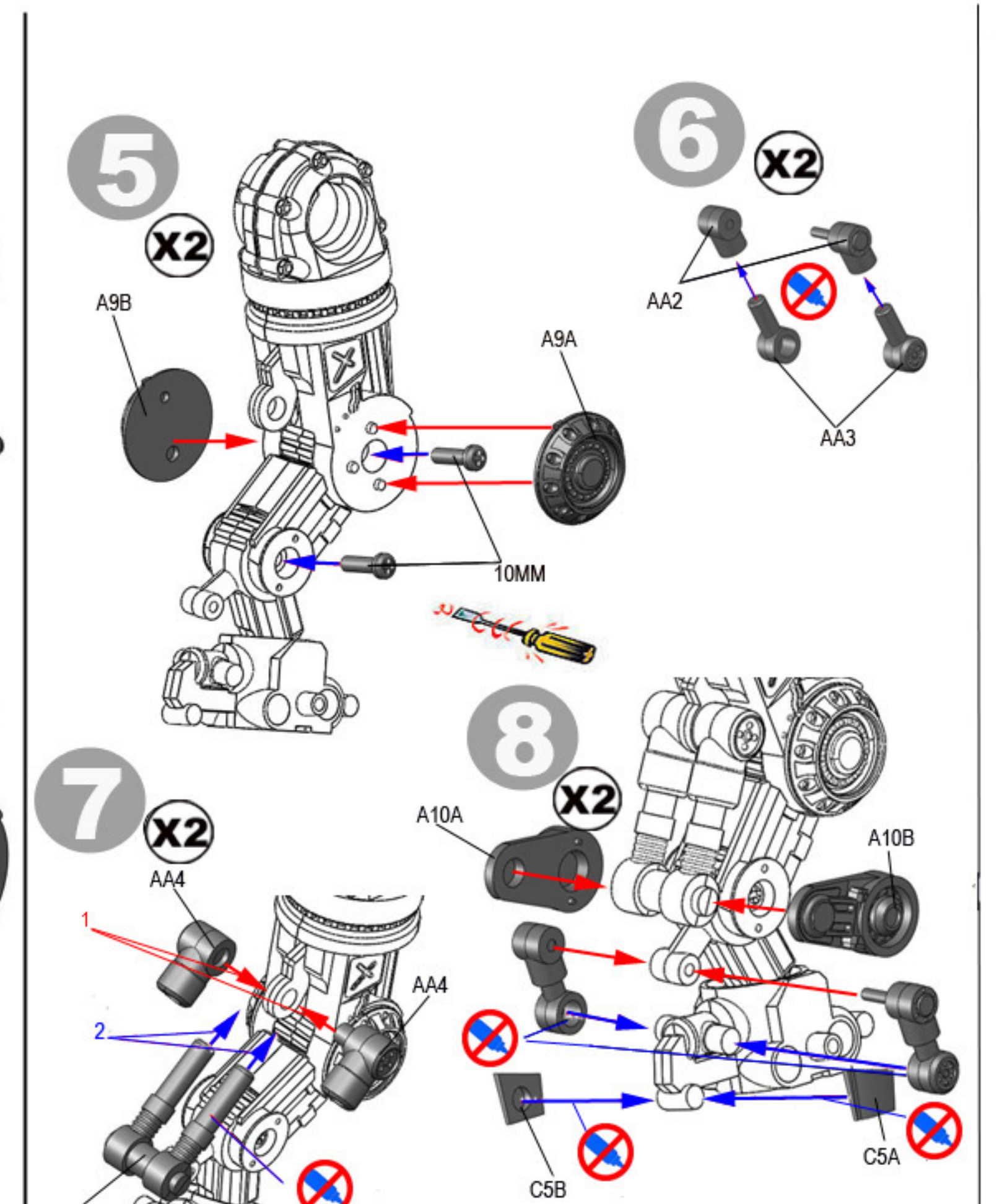
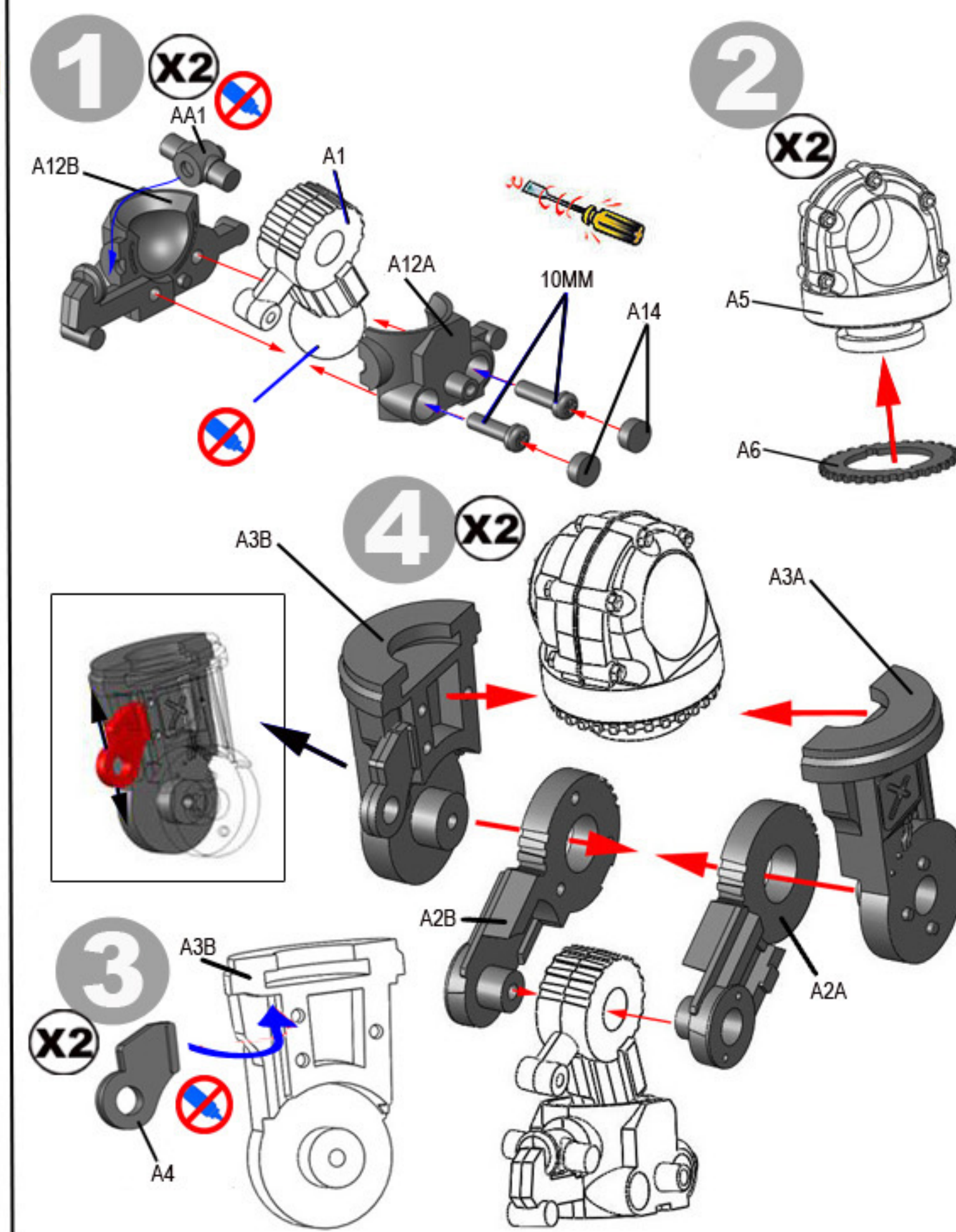
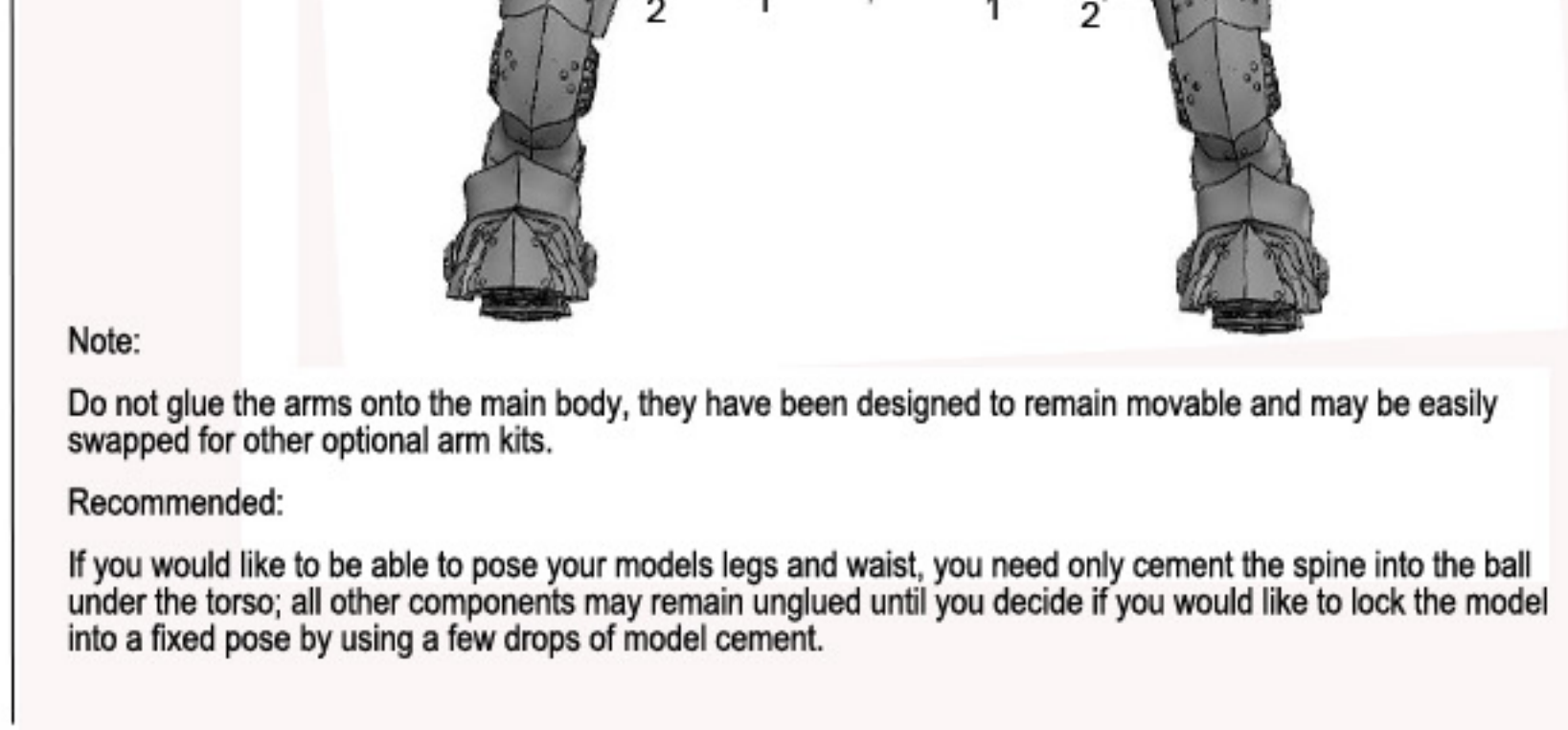
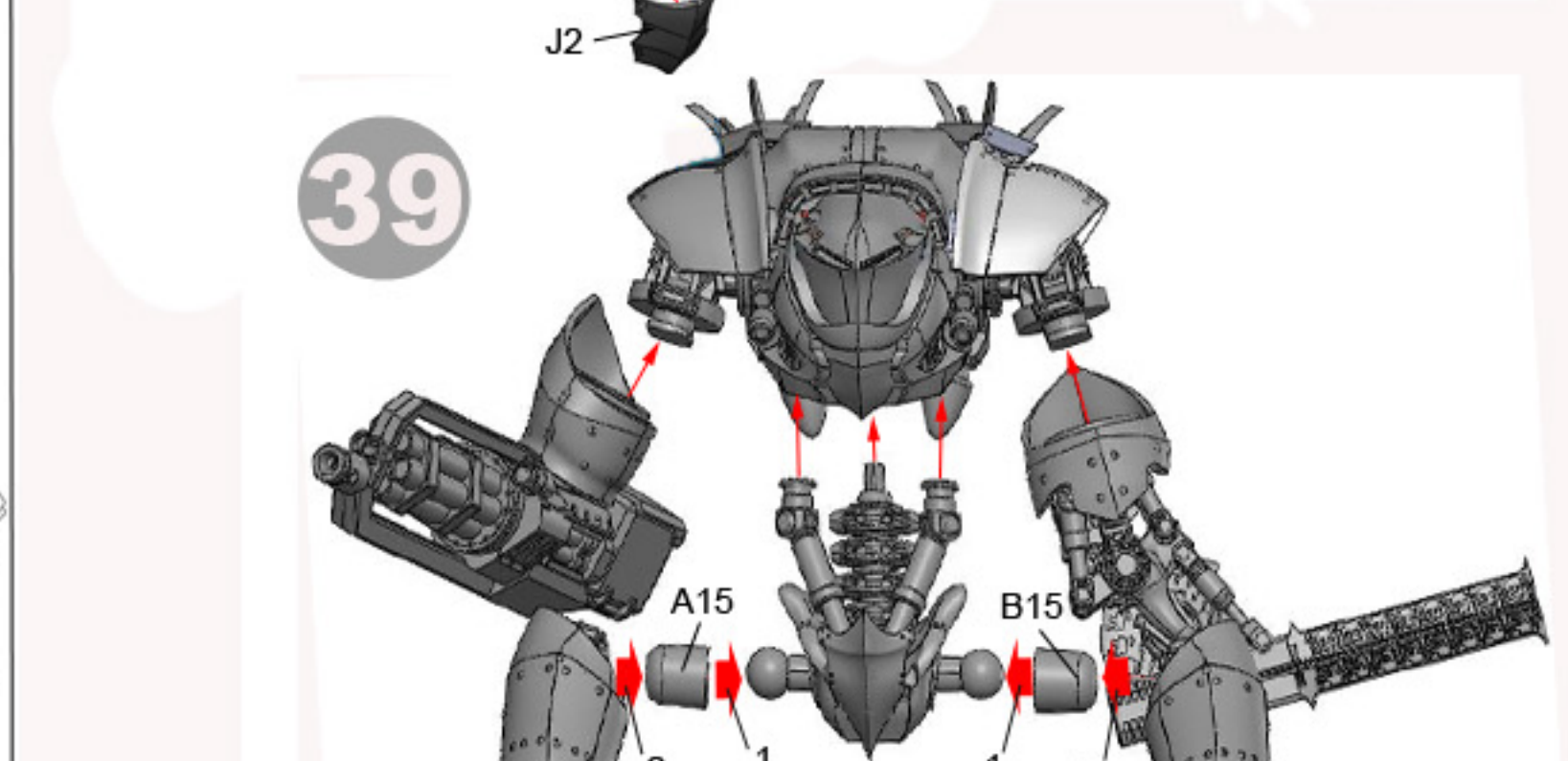
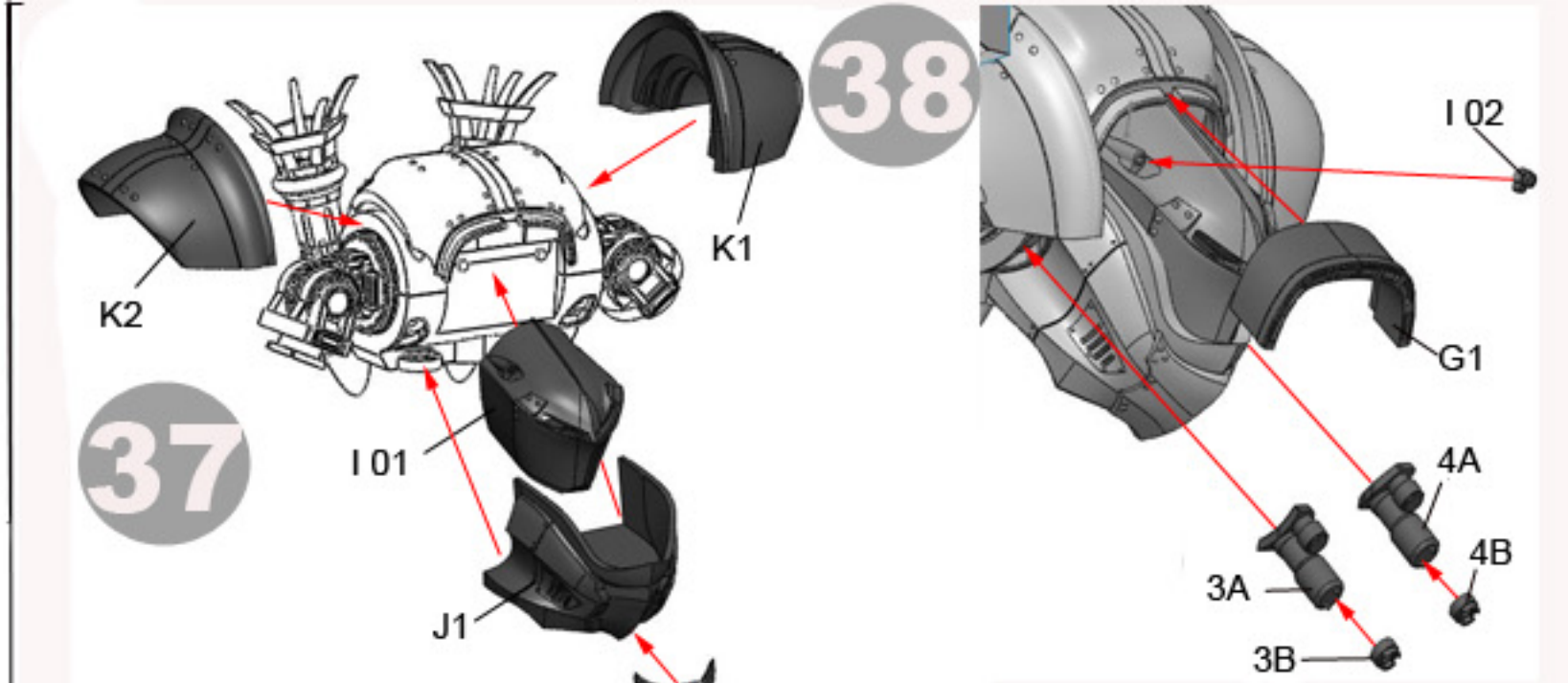
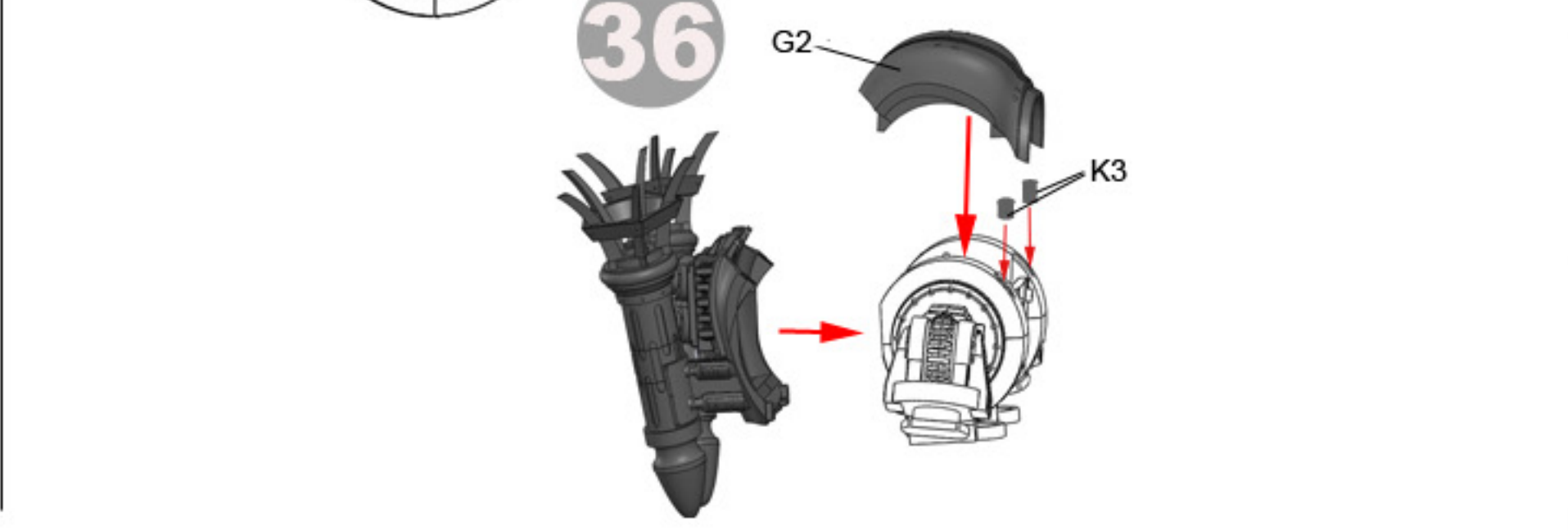
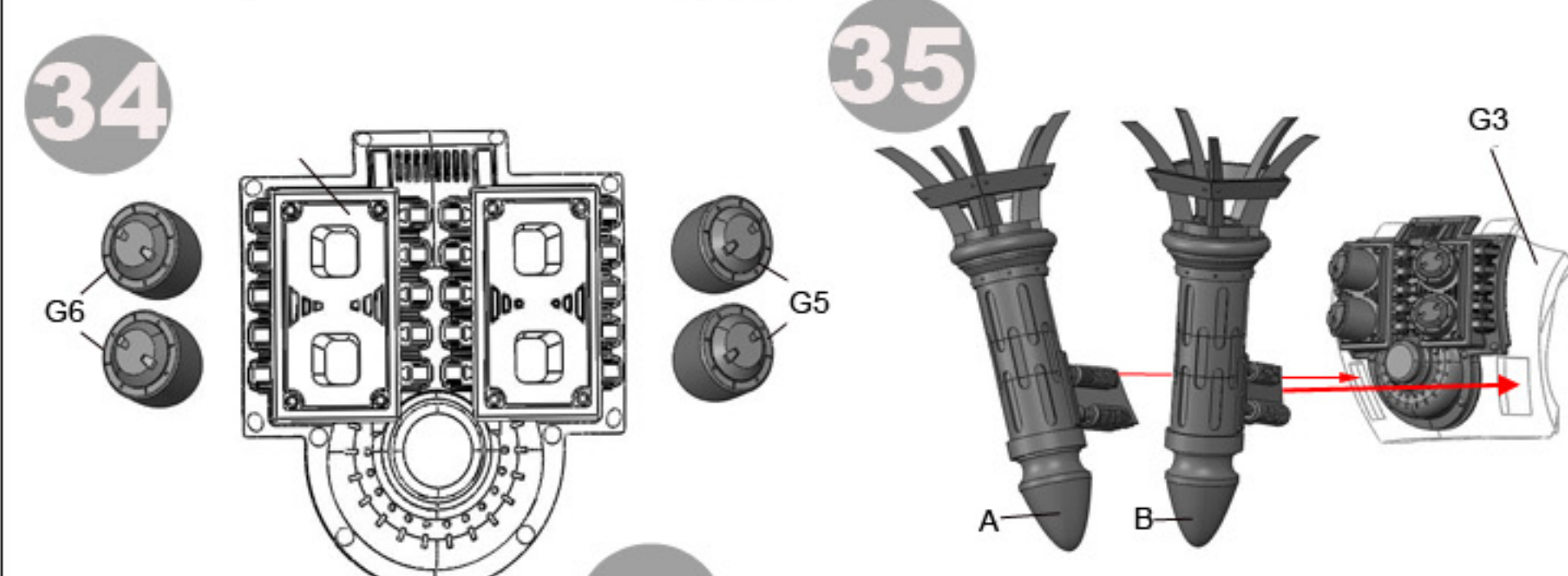
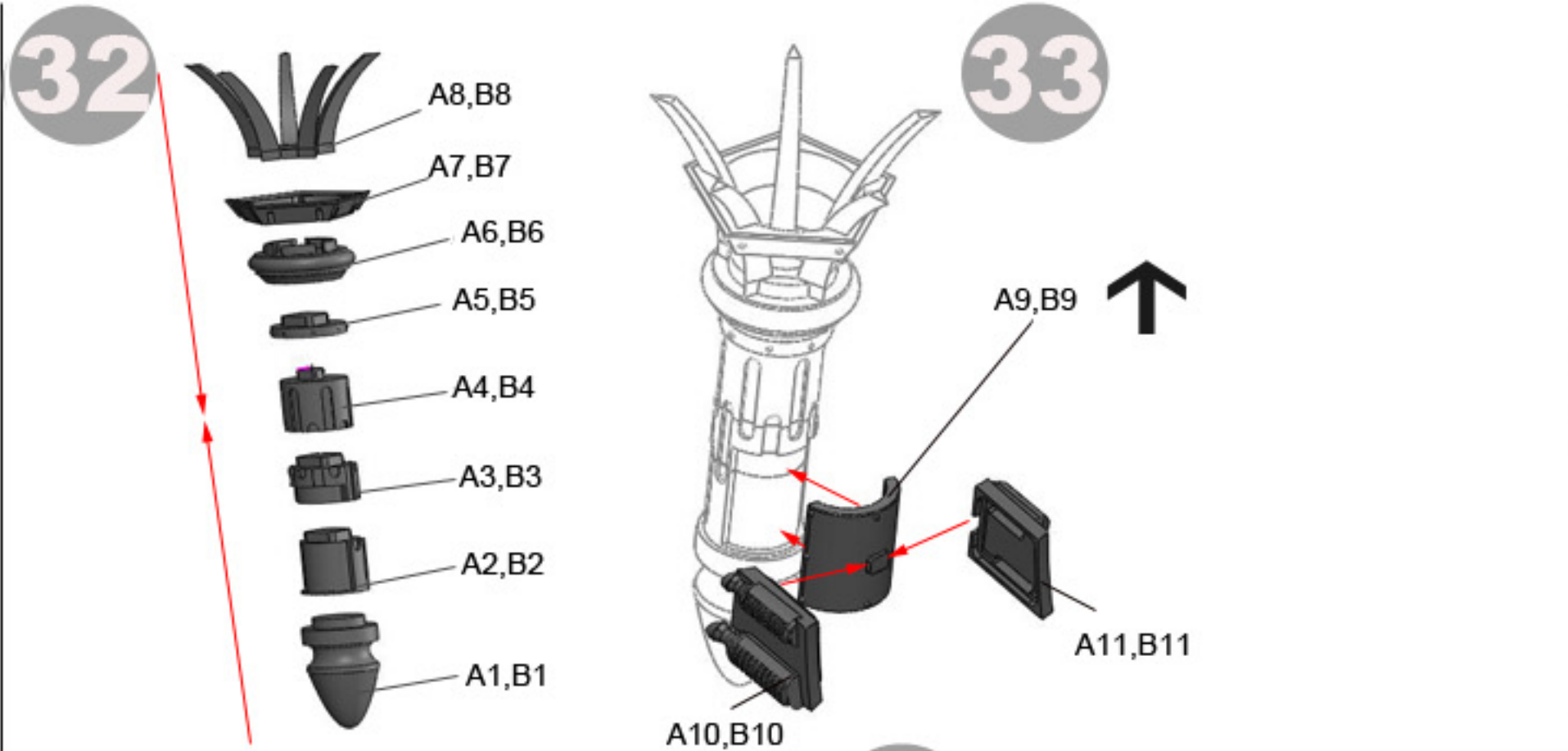
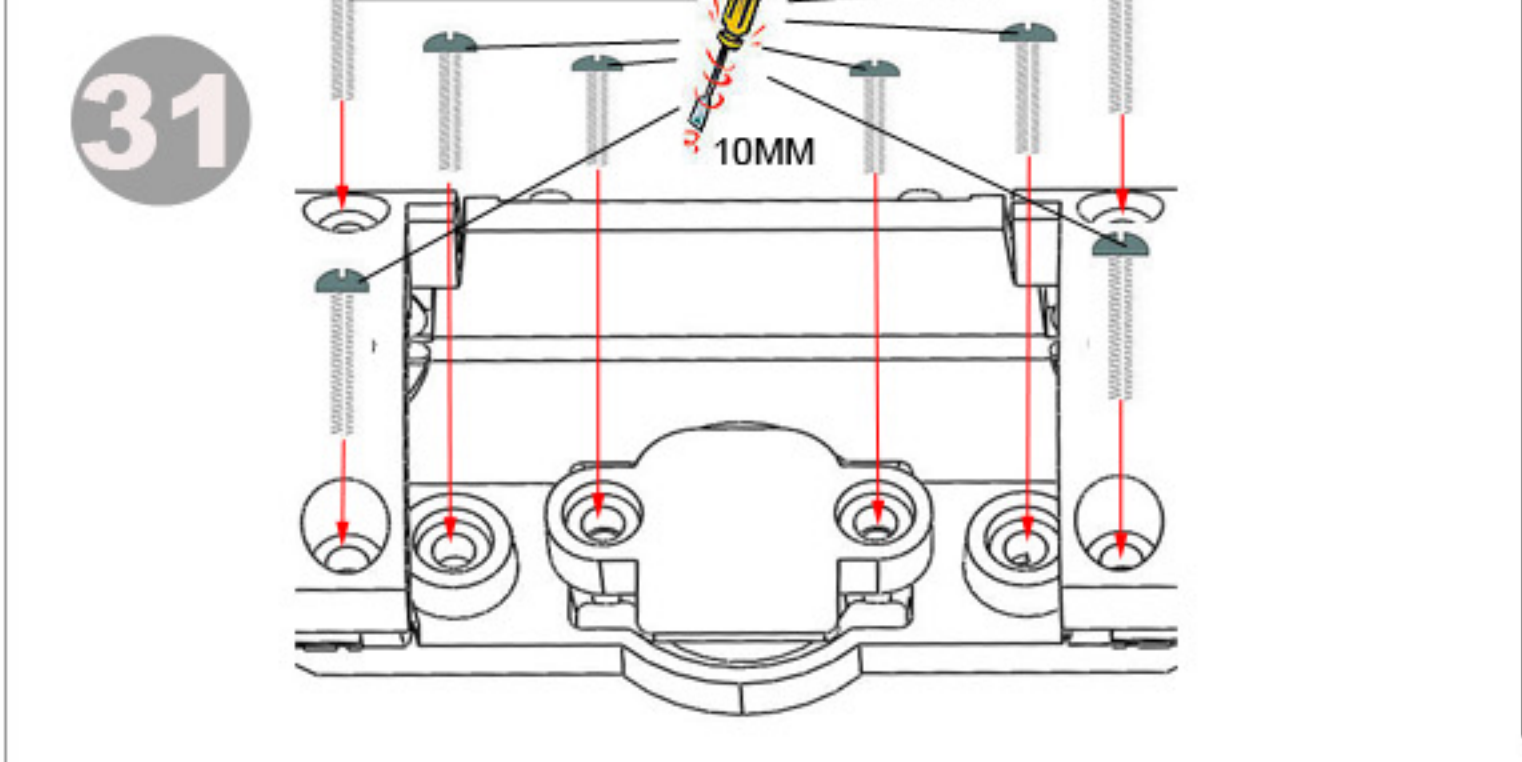
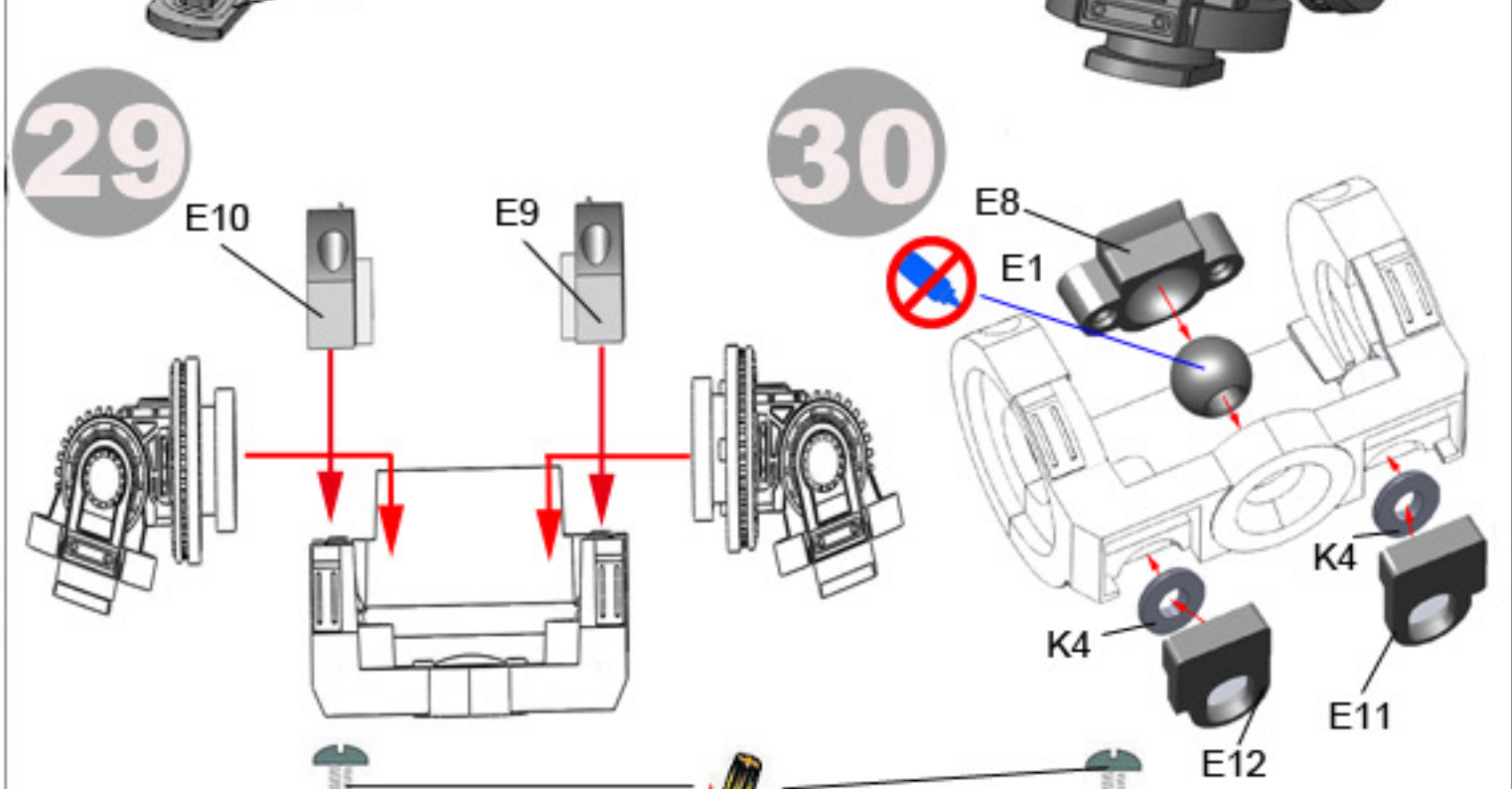
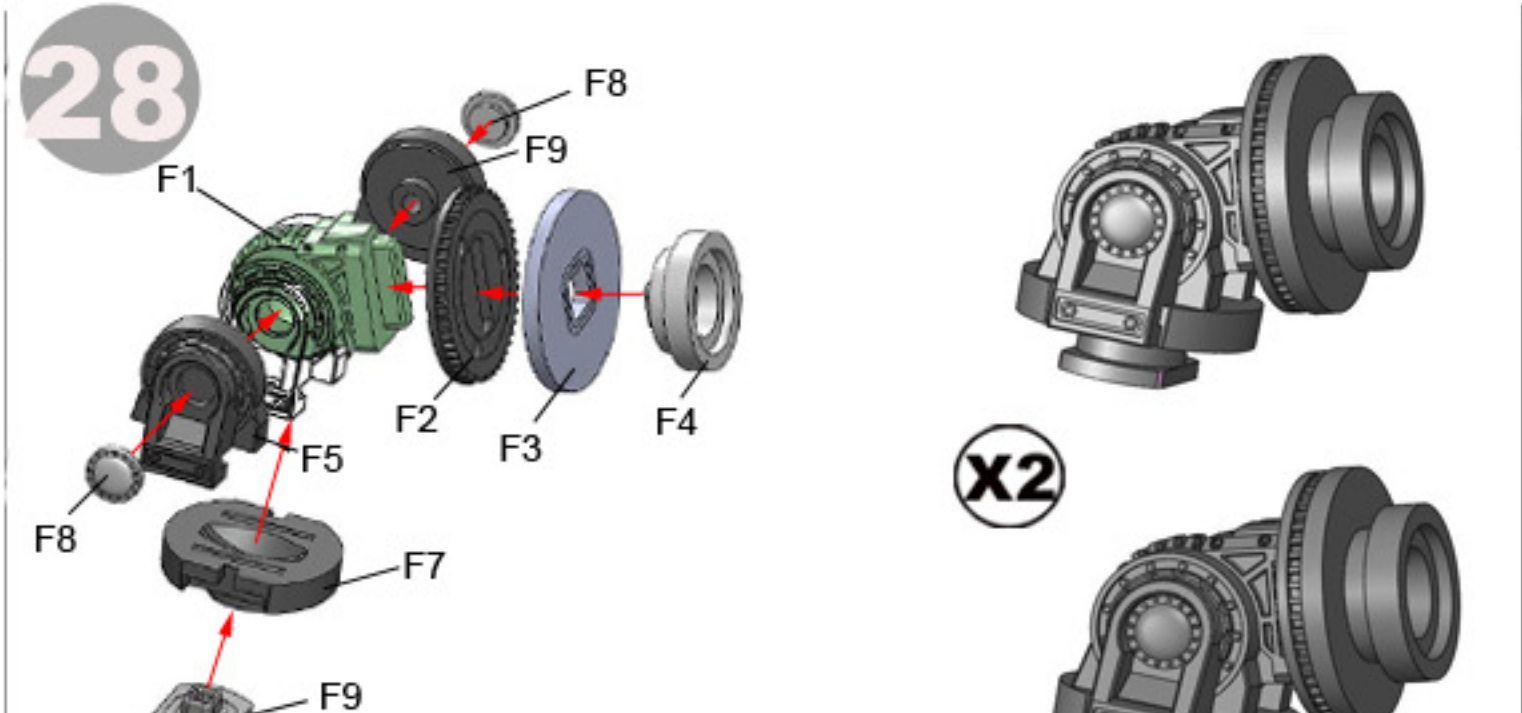
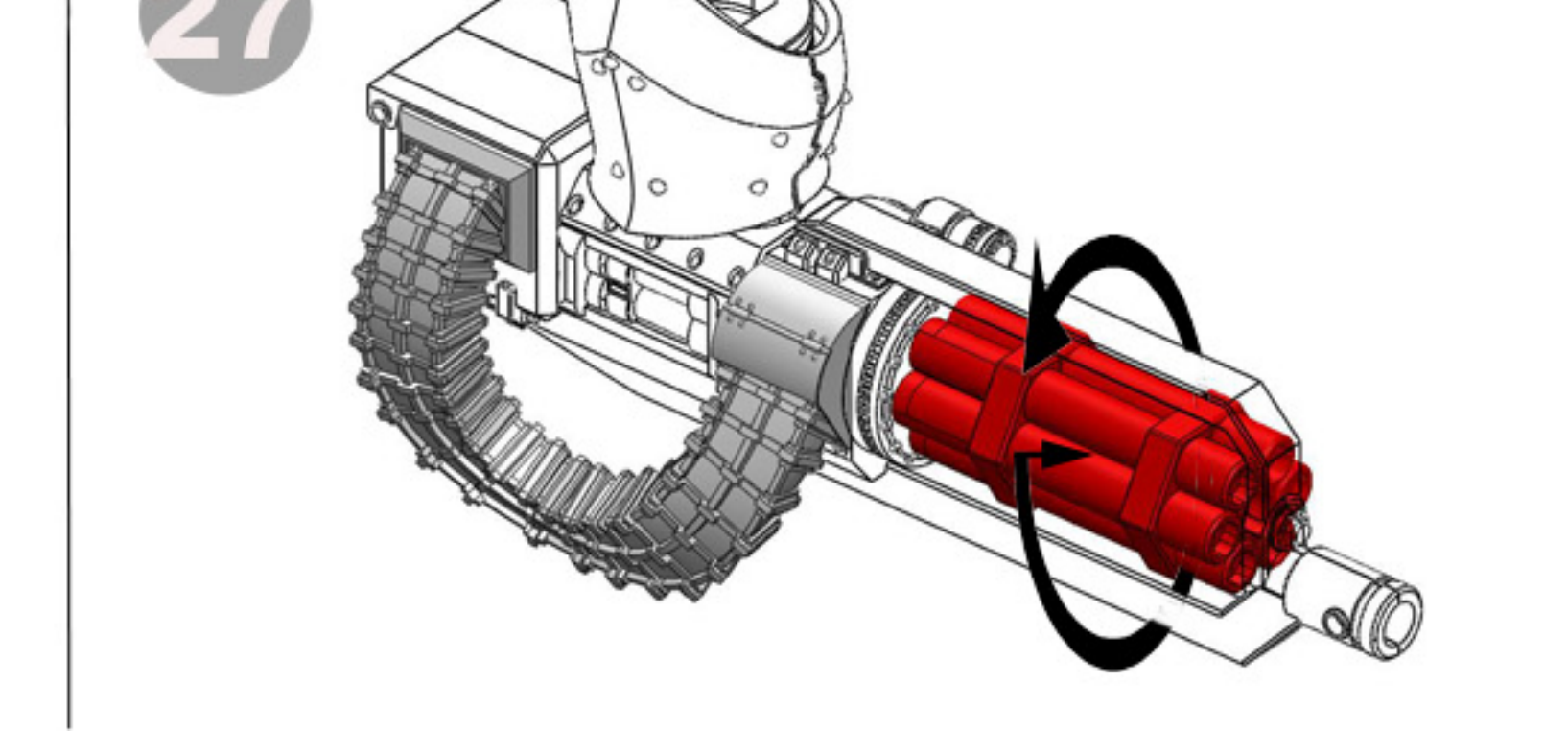
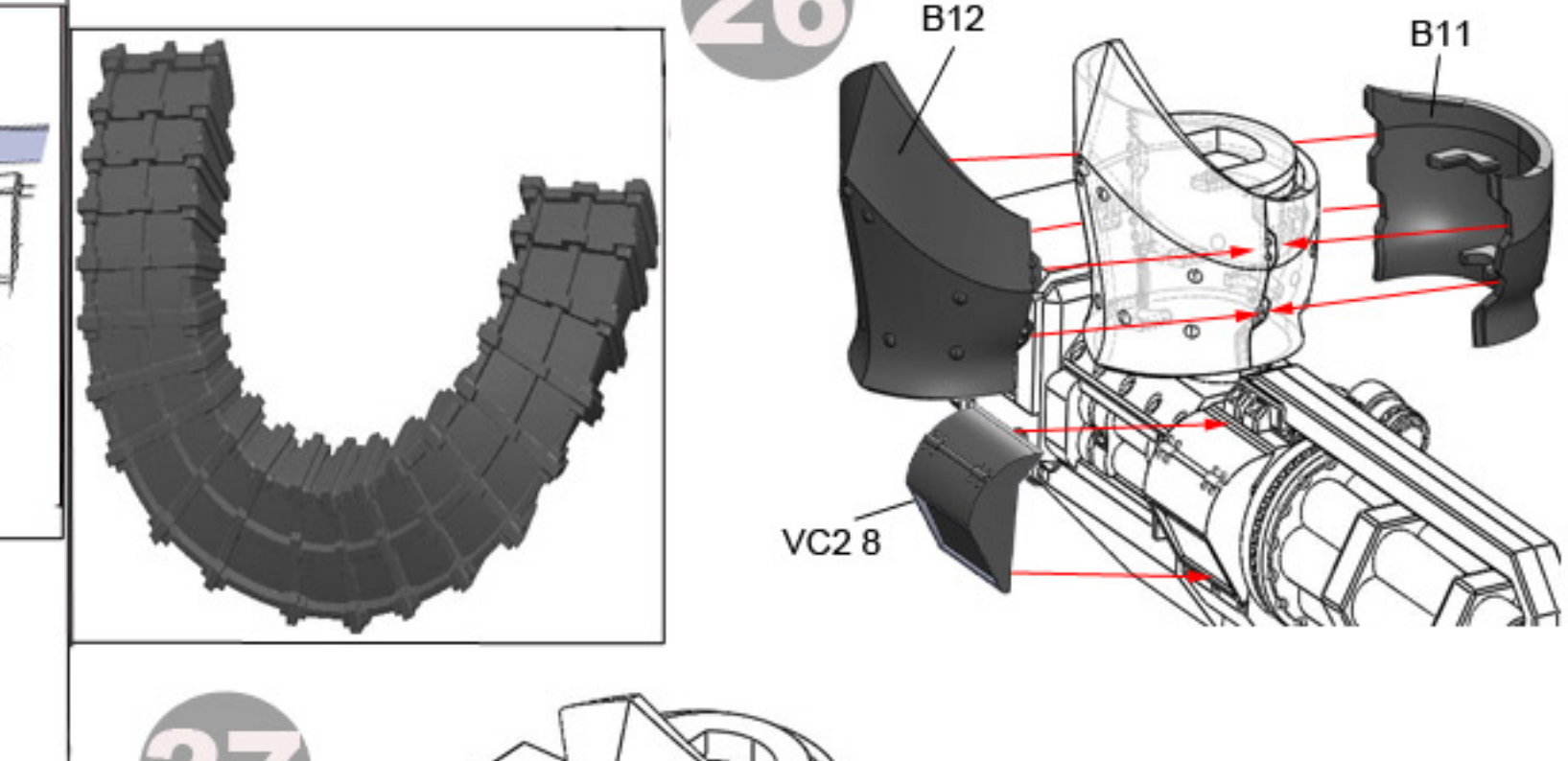
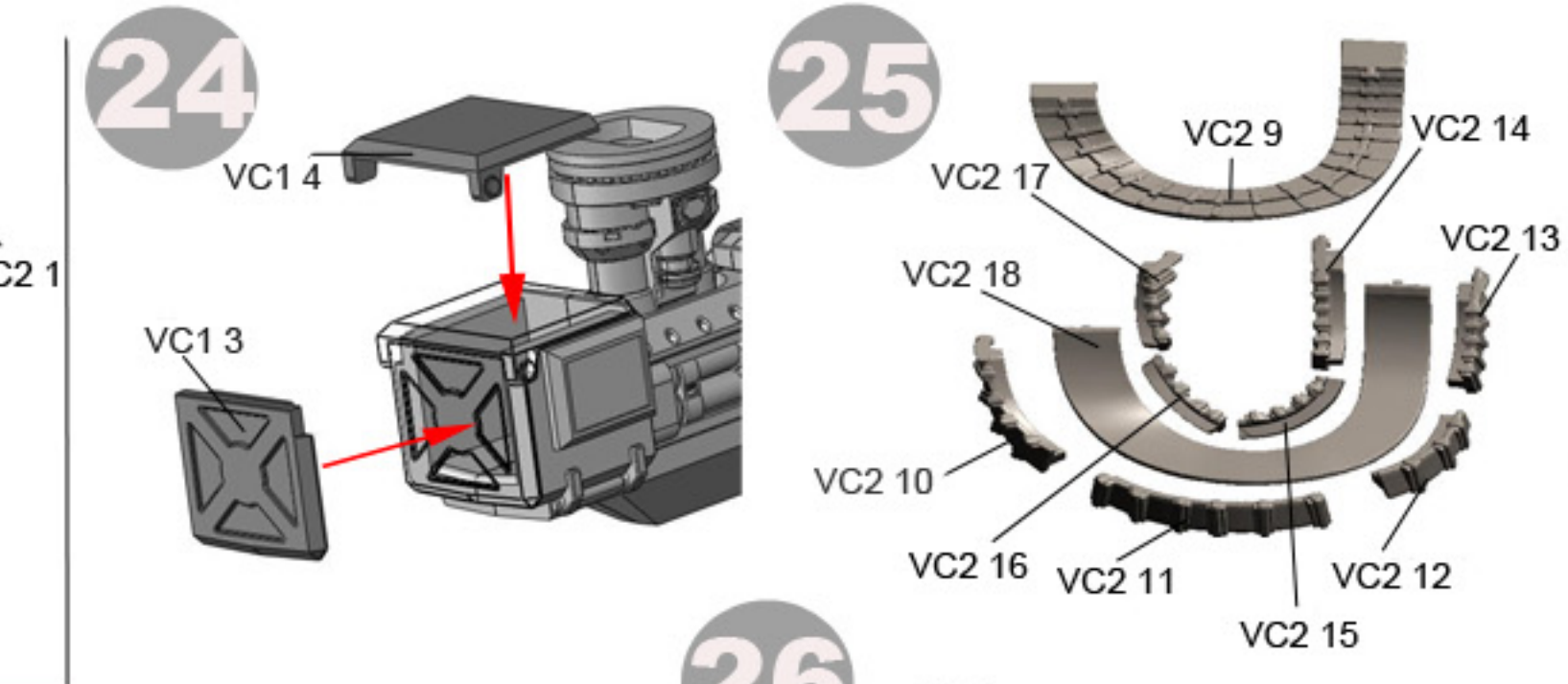
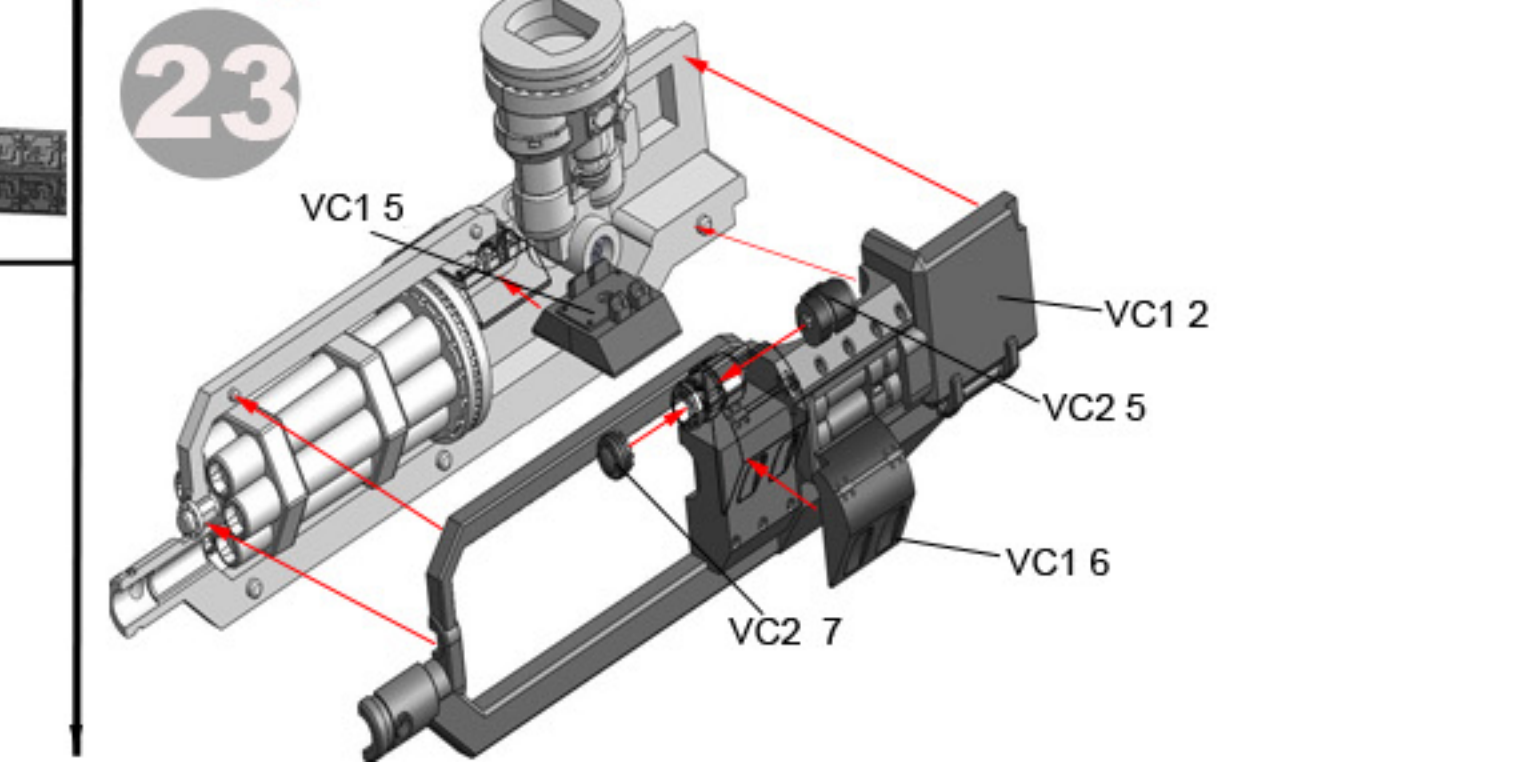
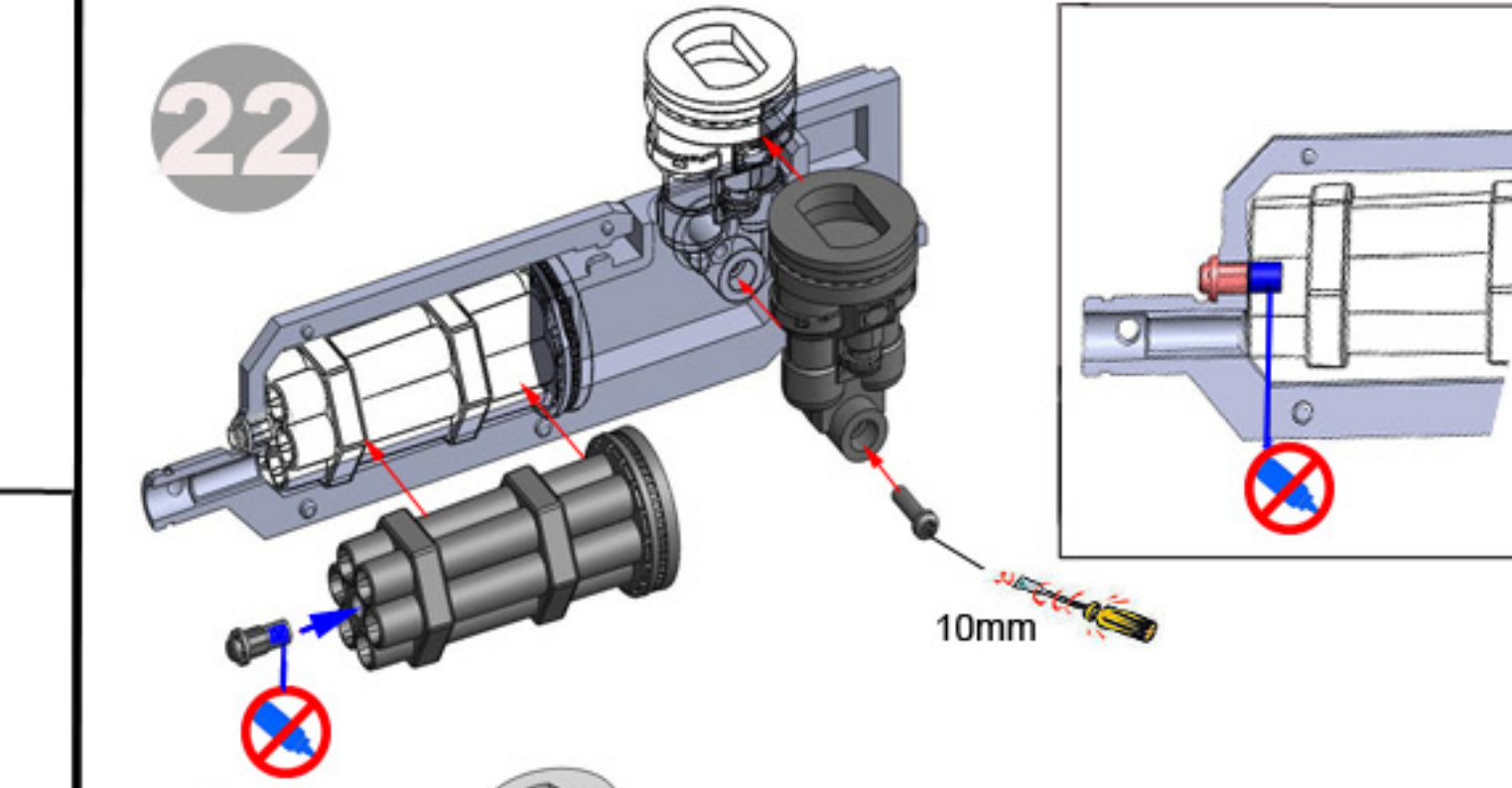
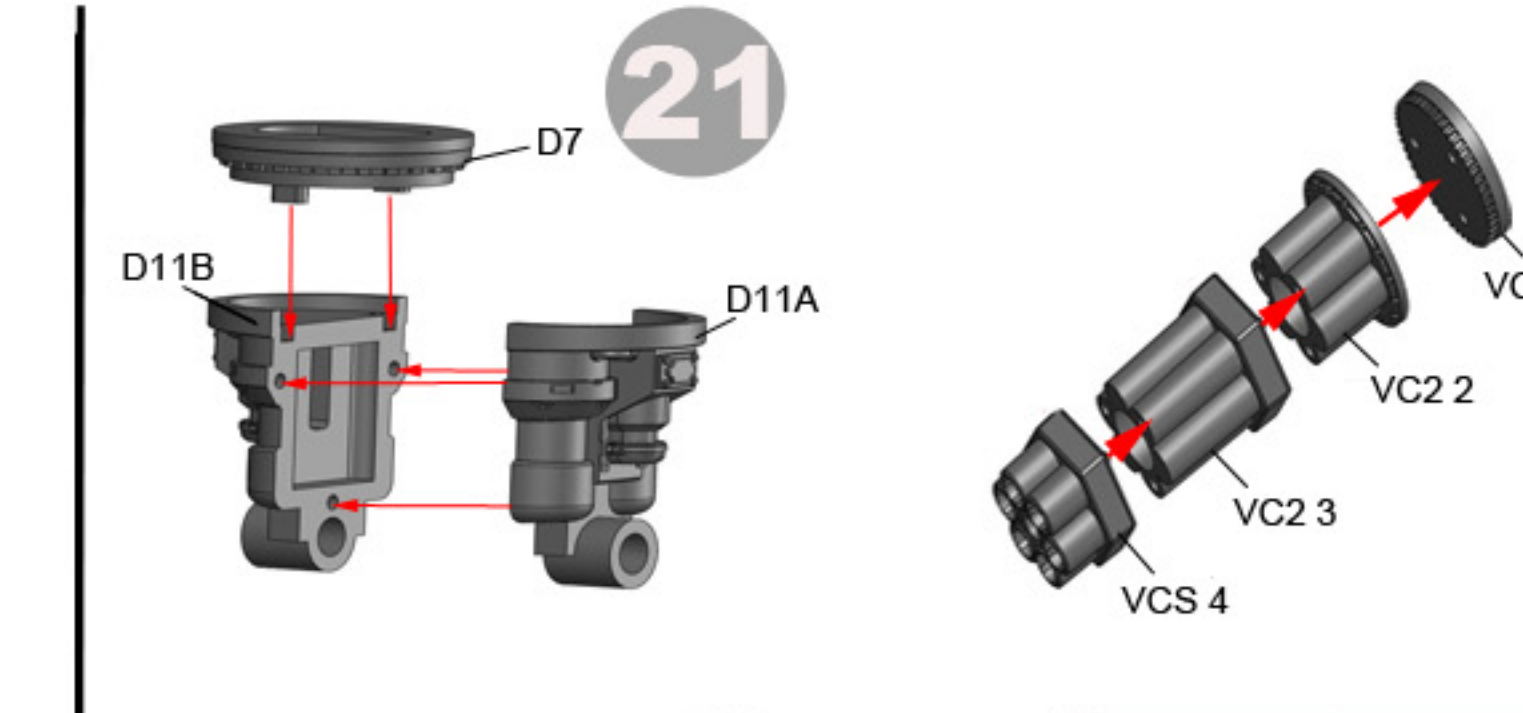
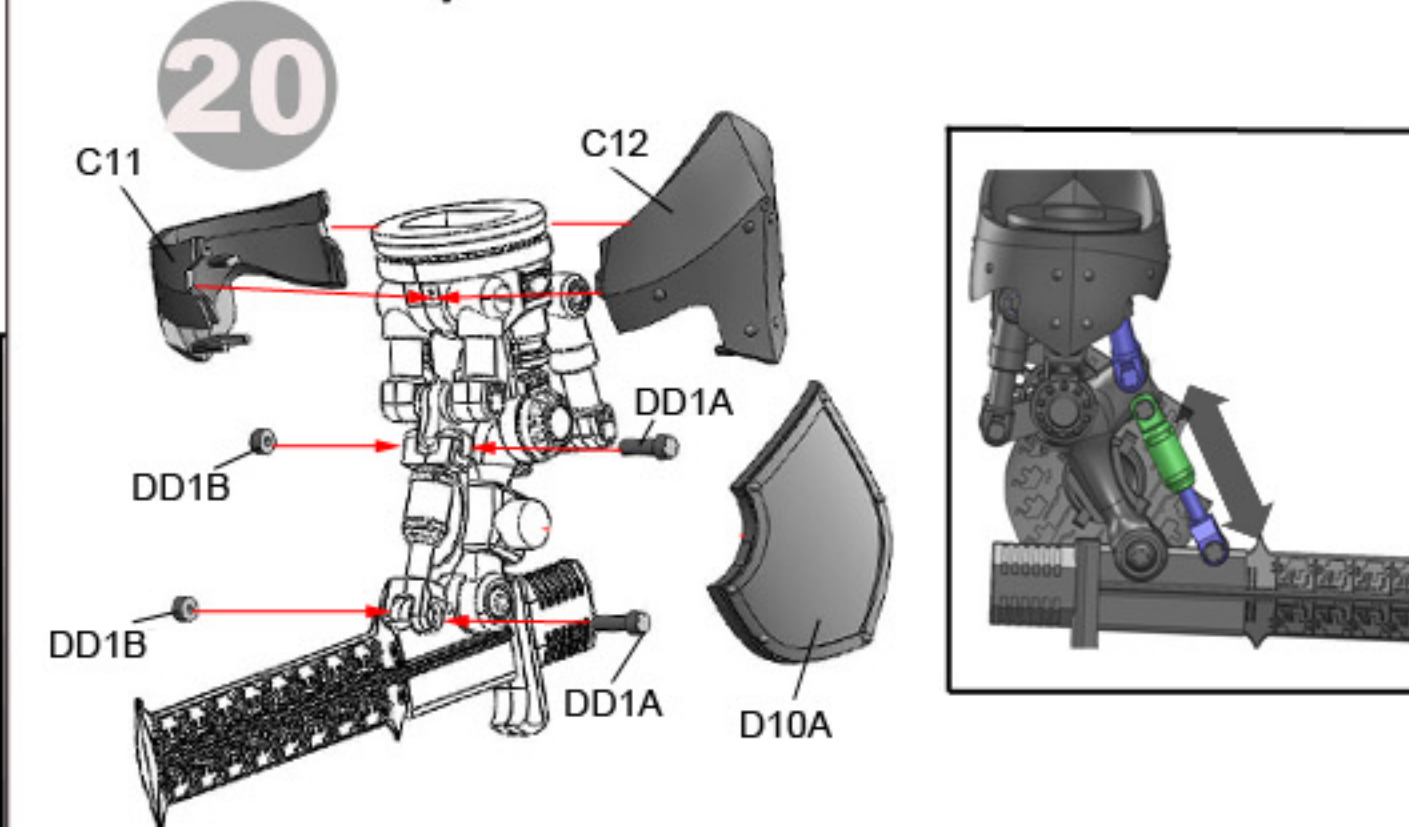
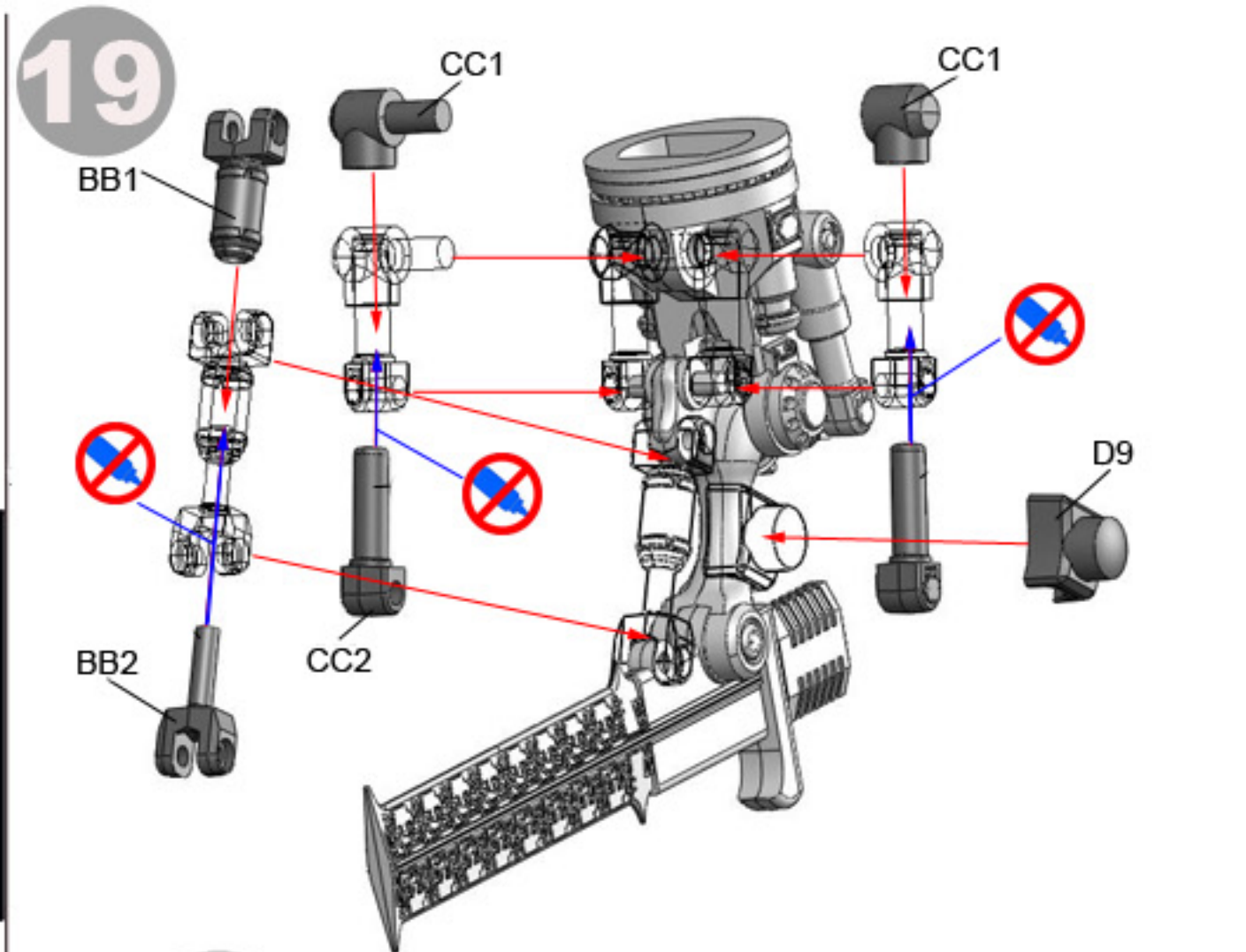


LEVIATHAN CRUSADER



8.5" tall 28mm 1/56 scale model kit.
Not suitable for children under 3 years of age due to small parts and pointed components.
Scenery, glue and paint are not included. Painting and assembly required.





Note:
Do not glue the arms onto the main body, they have been designed to remain movable and may be easily swapped for other optional arm kits.

Recommended:
If you would like to be able to pose your models legs and waist, you need only cement the spine into the ball under the torso; all other components may remain unglued until you decide if you would like to lock the model into a fixed pose by using a few drops of model cement.