

## Warnings

The following instructions must be followed and adhered to. Failure to do so will void your warranty and can potentially be dangerous.

- 1) For indoor use only. Do not use near water or with any aquarium equipment.
- 2) Do not plug any extension cord, power strip, wall tap or adaptor into the Tower.
- 3) Do not plug the Tower into anything but a grounded outlet.
- 4) Do not exceed ratings of 120 volts AC, 15 amps or 1800 watts.
- 5) Do not attempt to alter, repair, or restructure the Surge Protector for any reason.
- 6) Do not use with a heater, generator, sump pump, water-related device, life support device, medical device, car, motorcycle, or golf cart battery charger.
- 7) Do not install this device if there is not at least 10 meters (33 feet) or more of wire between the electrical outlet and the electrical service panel.
- 8) For floor use only. Do not place the device on a table or other elevated surface.
- 9) Do not use the half base feature except against a wall.
- 10) Take caution not to trip on cables plugged into or dangling from the Tower.
- 11) Be aware that the cords from devices plugged into the Tower may pull the Tower over if those cords are pulled or stepped on.

## Specifications

Relocatable Power Tap  
Surge Protective Device  
SPD Type 3  
125V ~60Hz 15A 1875W  
VPR: 400V (L-N, L-G, N-G)  
In: 3kA MCOV: 127V  
USB: 2.4A @5vdc (combined)

This device complies with Part 15 of the FCC Rules. Operation is subject to the following two conditions: (1) this device may not cause harmful interference, and (2) this device must accept any interference received, including interference that may cause undesired operation. Changes or modifications not expressly approved by the party responsible for compliance could void the user's authority to operate the equipment. This Class B digital apparatus complies with Canadian ICES-003.

Note: This equipment has been tested and found to comply with the limits for a Class B digital device, pursuant to Part 15 of the FCC Rules. This equipment generates and can radiate radio frequency energy, and if not installed and used in accordance with the instructions, may cause harmful interference to radio communications. However, there is no guarantee that interference will not occur in a particular installation. If this equipment does cause harmful interference to radio or television reception, which can be determined by turning the equipment off and on, the user is encouraged to try to correct the interference by one or more of the following measures: Reorient or relocate the receiving antenna; Increase the separation between the equipment and receiver; Connect the equipment into an outlet on a circuit different from that to which the receiver is connected; Consult the dealer or an experienced radio/TV technician for help.

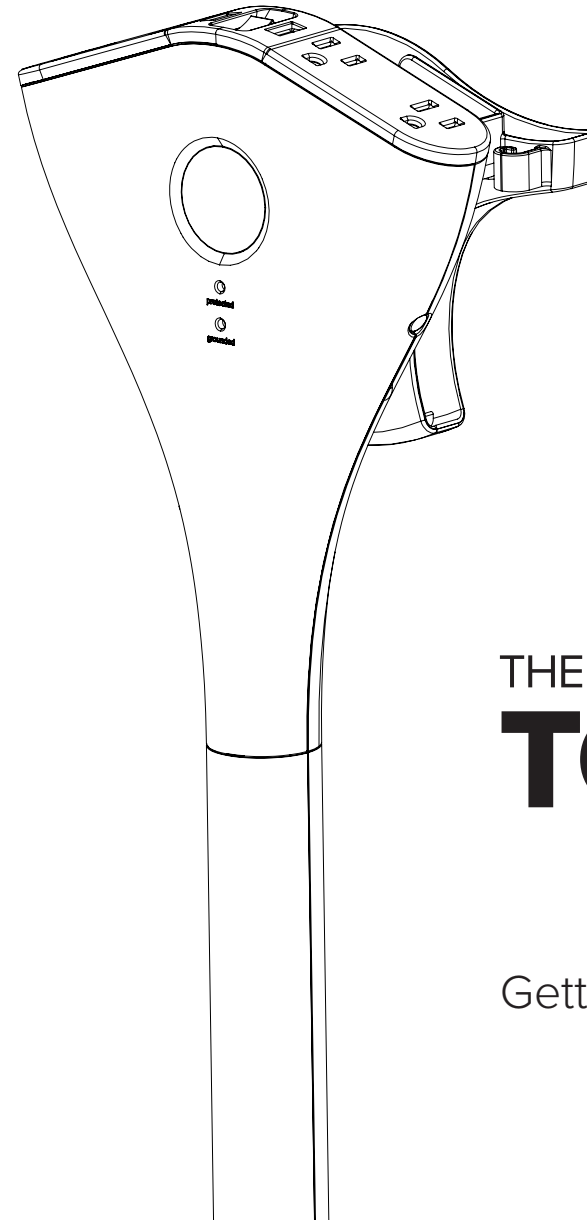
Caution: To Reduce The Risk Of Shock Use Only Indoors. Risk Of Electric Shock. Do not plug into another Relocatable Power Tap. Use Only In Dry Locations.

Number of Outlets: 4  
Number of USB Ports: 2  
Continuous Duty Electrical Rating: 15A/120V/1800W

Inspiration and Design in the United States  
Manufactured in China



Relocatable Power Tap  
Model SP-4112-6U2  
UPC: 865795000006

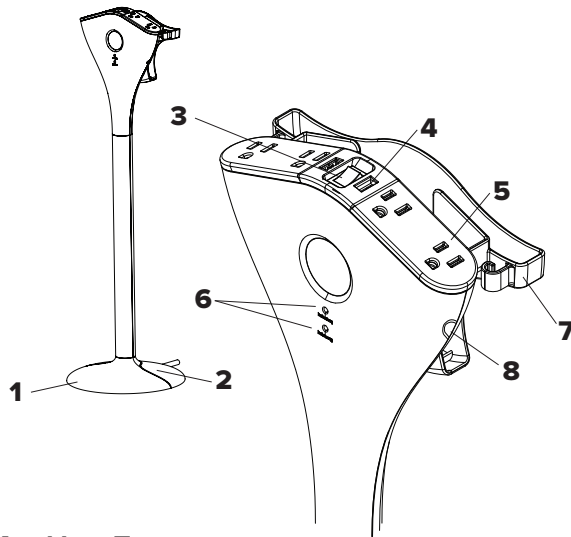


# THE TOWER

## Getting Started

Copyright © 2014 BelPower LLC. All Rights Reserved.  
The Art of Power and The Art of Power logo are trademarks of BelPower, LLC.  
US Patent numbers D693,307 and utility and foreign patents pending as detailed at  
[www.theartofpower.com/patents](http://www.theartofpower.com/patents)  
[www.theartofpower.com](http://www.theartofpower.com)

## Tour Your Tower



1. Base (permanent portion)
2. Base (removable portion)
3. On/Off Switch
4. USB Charging Port x 2
5. AC Outlet x 4
6. Indicator LEDs
7. Removable Tablet/  
Smartphone Holder
8. Circuit Breaker

## Use Your Tower

### Power

To provide power to your Tower plug it into any standard, grounded AC outlet and turn it on.

### USB Charger/Surge Protection

Devices connected to the USB ports are powered and surge protected. Plug in up to two (2) devices that can charge via USB using the two standard ports. The two USB ports provide a combined 3A of charging current. For fastest charging use your device's USB charging adapter and plug into a Tower AC outlet.

### LED Indicators

When the blue "Protected" LED is lit, surge protection is operating normally. If the blue "Protected" LED is not lit, it may mean a substantial surge event has occurred and the surge protector should be replaced. A lit "Grounded" blue LED indicates the surge protector has been plugged into a properly grounded outlet. If the blue "Grounded" LED is not lit, it may mean that the outlet is not properly grounded. Try plugging the Tower into a different outlet.

### Tablet/Smart Phone Holder

To attach the tablet/smartphone holder, see the instructions on the next page. Do not place more than one tablet and one phone in the holder. Take caution that devices do not fall out if the Tower is nudged or a cable plugged into the top is pulled or stepped on.

### Removable Base Section

Half of the base may be removed to allow the Tower to sit flush against the wall. See instructions on the next page.

### Right Angle Grounded Plug

The low profile plug makes the Tower fit easily in tight spaces.

### Circuit Breaker

The built-in circuit breaker provides 15 Amp overload protection. If an overload does occur, the Tower will automatically switch off. To resume operation ensure the overload condition is removed and push the reset switch. If tripped, push back in to reset.

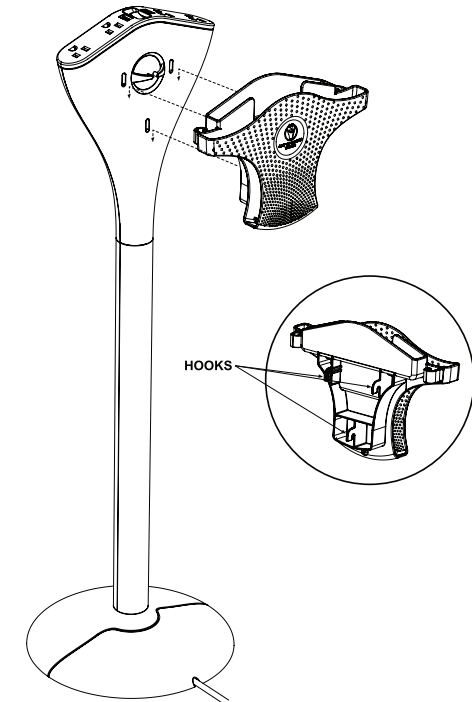
## Customize Your Tower

### Attach the Tablet/Smartphone Holder

Simply align the hooks on the back of the tablet and smartphone holder with the holes on the back of the Tower. Slide the hooks in and then let them move slightly down so they hold the pocket in place.

The tablet and smartphone holder can hold two devices at once. Use the smaller pocket for your smartphone and the larger pocket for tablet or e-reader.

Take care when your devices are in the pocket that you don't jostle the pocket so that it comes loose or knock the Tower over.



### Place Your Tower Flush Against a Wall or Cabinet

The base of the Tower is in two parts. Half of the base can be removed so that the Tower fits snugly up against a wall or a cabinet.

To remove the base, unplug it and any devices plugged into it, then turn it over. With a screwdriver, remove the two screws ① on the permanent portion of the base and then slide the removable portion of the base ② out. Keep the screws and the base somewhere safe for re-assembly later.

Only remove the section of the base if you will be placing the Tower up against a strong, vertical support, such as a wall or heavy cabinet or bookcase. Do not leave the Tower free-standing unless the base is fully assembled.

