

# Olson Kundig®

Door Hardware – Sliding Door Pull



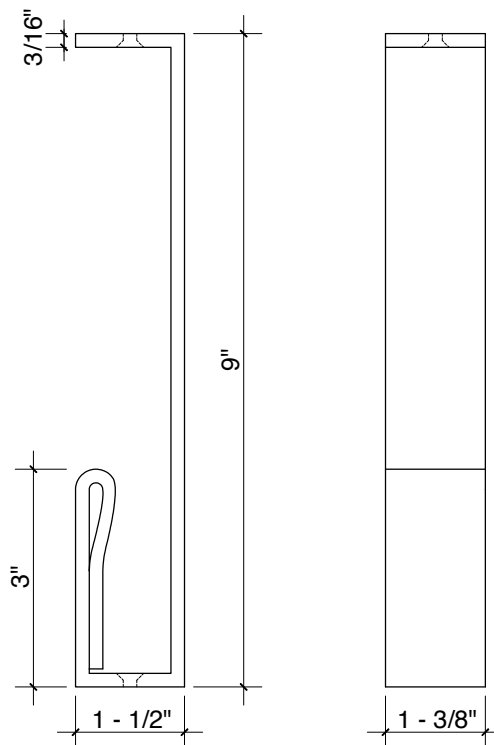
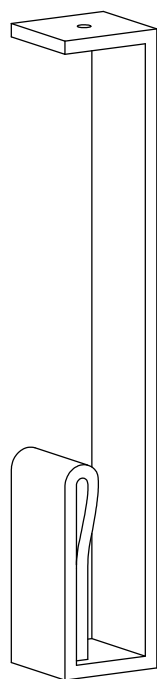
## Tom Kundig Collection Peek

Designed by: Tom Kundig

Folded 3/16" steel plate blackened with wax finish.  
Available in two sizes: 9" h x 1-3/8" w and 9" h x  
1-3/4" w.

Also available in stainless steel with a satin  
bead-blasted finish, or in solid bronze with an  
oil-rubbed finish.

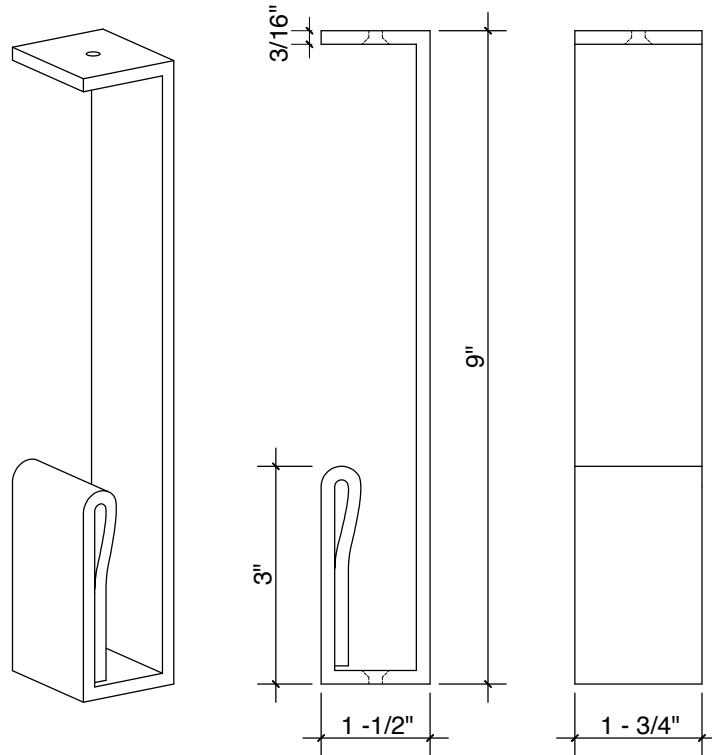
### 1-3/8" Peek



*Our products are fabricated and finished by hand; variations in size, shape, and color are a natural result of this process. Tooling marks and surface scratches are part of the character of the finished pieces. Most products are sealed with wax, which over time is not impervious to moisture and corrosion. The standard wax finish allows the steel to age naturally and develop its own character. For a more durable exterior finish, we recommend the optional powder coating. Steel hardware should not be installed with dissimilar metals. Steel hardware installed outside or in areas exposed to moisture will eventually rust. Periodic maintenance will be required. For treatment of minor rust, we recommend rubbing the affected area with steel wool and applying carnauba paste wax. Our products are not recommended for commercial use.*

---

## 1-3/4" Peek



*Our products are fabricated and finished by hand; variations in size, shape, and color are a natural result of this process. Tooling marks and surface scratches are part of the character of the finished pieces. Most products are sealed with wax, which over time is not impervious to moisture and corrosion. The standard wax finish allows the steel to age naturally and develop its own character. For a more durable exterior finish, we recommend the optional powder coating. Steel hardware should not be installed with dissimilar metals. Steel hardware installed outside or in areas exposed to moisture will eventually rust. Periodic maintenance will be required. For treatment of minor rust, we recommend rubbing the affected area with steel wool and applying carnauba paste wax. Our products are not recommended for commercial use.*