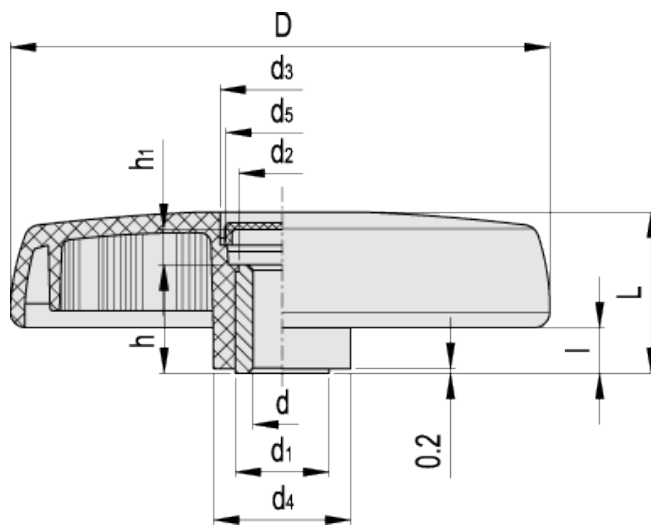
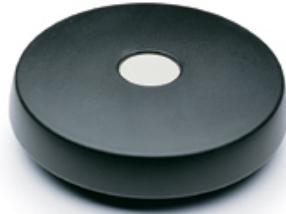


VDS. Solid handwheels



ELESA Original design



Elesa Standards		Main dimensions									Bore		C #	L #	Weight
Code	Description	D	L	l	d ₁	d ₂	d ₃	d ₄	d ₅	h ₁	d _{H7}	h	[Nm]	[J]	g
72660	VDS.100 A-8	102	34	10	22	20	27	30	25	9	8	22	60	13	145
72661	VDS.100 A-10	102	34	10	22	20	27	30	25	9	10	22	60	13	140
72662	VDS.100 A-12	102	34	10	22	20	27	30	25	9	12	22	60	13	135
72740	VDS.150 A-8	150	44	12	26	24	34	38	30	10	8	30	180	26	335
72741	VDS.150 A-14	150	44	12	26	24	34	38	30	10	14	30	180	26	315
72840	VDS.200 A-8	200	53	14	40	38	44	50	40	13	8	36	320	27	620
72841	VDS.200 A-20	200	53	14	40	38	44	50	40	13	20	36	320	27	590

See [Technical Data](#) for maximum applicable torque (C) and impact strength (L).

Material

High-resilience polypropylene based (PP) technopolymer. Resistant to solvents, oils, greases and other chemical agents.

Colour

Black, matte finish.

Assembly

Black-oxide steel boss, H7 reamed hole.

Boss cap

Acetal resin based (POM) technopolymer, light-grey colour, push-fit assembly, removable by pressing on the outer edge (ELESA original design).

Accessories on request

Axial retaining washer type [GN 184](#) .

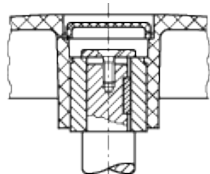
Special executions on request

Bosses with hole and keyway in compliance with [DIN 6885/1 P9 tolerance](#).

To order the handwheel with keyway complete code and description with the index -K (i.e. 72661-K VDS.100 A-10-K).

Ergonomy

The rim with internal rear scallops makes the grip and the manoeuvre of the handwheel easier even from side positions.



Assembly example
with keyway and axial set screw



STANDARD MACHINE ELEMENTS WORLDWIDE

ELESA models all rights reserved in accordance with the law. Always mention the source when reproducing our drawings.