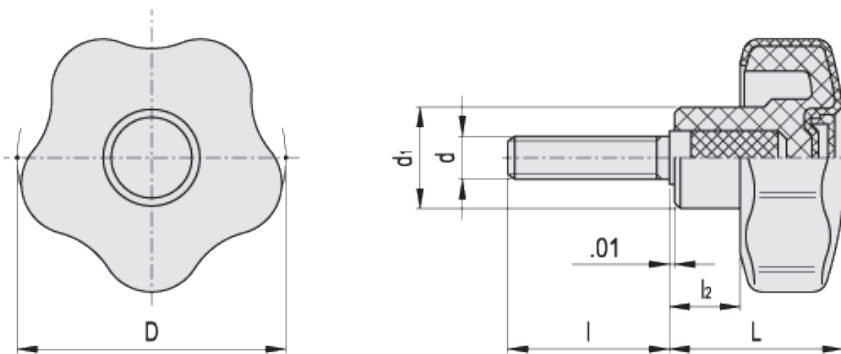


# VCT.p SOFT

## Lobe knobs



ELESA Original design



american unit  
metric unit



RAL9005

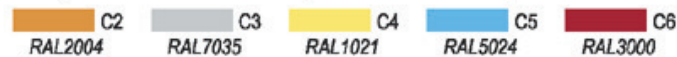
Elesa Standards		Main dimensions				Threaded stud		C #	Weight
Code	Description	D	L	d <sub>1</sub>	l <sub>2</sub>	d <sub>2A</sub>	l	[ft·lb] [Nm]	lbs g
9169913	VCT.43 p-5/16-18x1-SOFT	1.69 43	1.14 29	0.67 17	0.43 11	5/16-18 -	1.000 -	14 19	0.048 22
9169973	VCT.53 p-3/8-16x1½-SOFT	2.09 53	1.34 34	0.75 19	0.51 13	3/8-16 -	1.500 -	27 36	0.099 45

# "Max limit Tightening torque" means the max torque value at which the metal insert, in normal conditions of use, is perfectly and strongly anchored to the plastic material.

american unit  
metric unit



\* Complete with colour index, example: 9169913-C2 VCT.43 p-5/16-18x1-SOFT-C2.



Elesa Standards		Main dimensions				Threaded stud		C #	Weight
Code	Description	D	L	d <sub>1</sub>	l <sub>2</sub>	d <sub>2A</sub>	l	[ft·lb] [Nm]	lbs g
9169913-*	VCT.43 p-5/16-18x1-SOFT-*	1.69 43	1.14 29	0.67 17	0.43 11	5/16-18 -	1.000 -	14 19	0.048 22
9169973-*	VCT.53 p-3/8-16x1½-SOFT-*	2.09 53	1.34 34	0.75 19	0.51 13	3/8-16 -	1.500 -	27 36	0.099 45

# "Max limit Tightening torque" means the max torque value at which the metal insert, in normal conditions of use, is perfectly and strongly anchored to the plastic material.

american unit  
metric unit



RAL9005

Elesa Standards		Main dimensions				Threaded stud		C #	Weight
Code	Description	D	L	d <sub>1</sub>	l <sub>2</sub>	d <sub>6g</sub>	l	[ft·lb] [Nm]	lbs g
169903	VCT.43 p-M6x25-SOFT	1.69 43	1.14 29	0.67 17	0.43 11	- M6	0.98 25	10 13	0.044 20
169905	VCT.43 p-M6x30-SOFT	1.69 43	1.14 29	0.67 17	0.43 11	- M6	1.18 30	10 13	0.046 21
169911	VCT.43 p-M8x16-SOFT	1.69 43	1.14 29	0.67 17	0.43 11	- M8	0.63 16	14 19	0.042 19
169912	VCT.43 p-M8x20-SOFT	1.69 43	1.14 29	0.67 17	0.43 11	- M8	0.79 20	14 19	0.044 20
169913	VCT.43 p-M8x25-SOFT	1.69 43	1.14 29	0.67 17	0.43 11	- M8	0.98 25	14 19	0.048 22
169971	VCT.53 p-M10x20-SOFT	2.09 53	1.34 34	0.75 19	0.51 13	- M10	0.79 20	27 36	0.079 36
169973	VCT.53 p-M10x30-SOFT	2.09 53	1.34 34	0.75 19	0.51 13	- M10	1.18 30	27 36	0.088 40
170021	VCT.66 p-M10x20-SOFT	2.6 66	1.52 38.5	0.85 21.5	0.61 15.5	- M10	0.79 20	27 36	0.101 46
170083	VCT.77 p-M12x30-SOFT	3.03 77	1.81 46	1.02 26	0.83 21	- M12	1.18 30	33 45	0.117 53

# "Max limit Tightening torque" means the max torque value at which the metal insert, in normal conditions of use, is perfectly and strongly anchored to the plastic material.

american unit  
metric unit



\* Complete with colour index, example: 169903-C2 VCT.43 p-M6x25-SOFT-C2.

C2 RAL2004 C3 RAL7035 C4 RAL1021 C5 RAL5024 C6 RAL3000

Elesa Standards		Main dimensions				Threaded stud		C #	Weight
Code	Description	D	L	d <sub>1</sub>	l <sub>2</sub>	d <sub>6g</sub>	l	[ft·lb] [Nm]	lbs g
169903-*	VCT.43 p-M6x25-SOFT-*	1.69 43	1.14 29	0.67 17	0.43 11	- M6	0.98 25	10 13	0.044 20
169905-*	VCT.43 p-M6x30-SOFT-*	1.69 43	1.14 29	0.67 17	0.43 11	- M6	1.18 30	10 13	0.046 21
169911-*	VCT.43 p-M8x16-SOFT-*	1.69 43	1.14 29	0.67 17	0.43 11	- M8	0.63 16	14 19	0.042 19
169912-*	VCT.43 p-M8x20-SOFT-*	1.69 43	1.14 29	0.67 17	0.43 11	- M8	0.79 20	14 19	0.044 20
169913-*	VCT.43 p-M8x25-SOFT-*	1.69 43	1.14 29	0.67 17	0.43 11	- M8	0.98 25	14 19	0.048 22
169971-*	VCT.53 p-M10x20-SOFT-*	2.09 53	1.34 34	0.75 19	0.51 13	- M10	0.79 20	27 36	0.079 36
169973-*	VCT.53 p-M10x30-SOFT-*	2.09 53	1.34 34	0.75 19	0.51 13	- M10	1.18 30	27 36	0.088 40
170021-*	VCT.66 p-M10x20-SOFT-*	2.6 66	1.52 38.5	0.85 21.5	0.61 15.5	- M10	0.79 20	27 36	0.101 46
170083-*	VCT.77 p-M12x30-SOFT-*	3.03 77	1.81 46	1.02 26	0.83 21	- M12	1.18 30	33 45	0.117 53

# "Max limit Tightening torque" means the max torque value at which the metal insert, in normal conditions of use, is perfectly and strongly anchored to the plastic material.

### Material

High-resilience polypropylene based (PP) technopolymer, coated with thermoplastic elastomer (TPE) "soft-touch" chemically bonded, hardness 70 Shore A. Resistant to solvents, oils, greases and other chemical agents. The coating material is certified according to FDA (U.S. Food and Drug administration).

### Colour

Black, matte finish.

### Centre cap

Polypropylene based technopolymer (PP), in the six standard colours, matte finish. On request and for sufficient quantities, it can be supplied in other colours or with customised graphic symbols, marks or writings.

### Standard execution

Treaded stud with chamfered flat end according to ISO 4753 available in:

- white zinc-plated steel threaded stud, for inch size (see [Technical Data](#)).
- zinc-plated steel threaded stud, for metric size.

### **Features and applications**

The surface, coated with "soft-touch" elastomer, improves the grip even in the presence of oils, greases and sweat from the hand. For this reason it is suitable for fitness machines, tools and machines for gardening and goods transport, high-precision instruments and disability aids.



STANDAARD MACHINE ELEMENTS WORLDWIDE

ELESA models all rights reserved in accordance with the law. Always mention the source when reproducing our drawings.