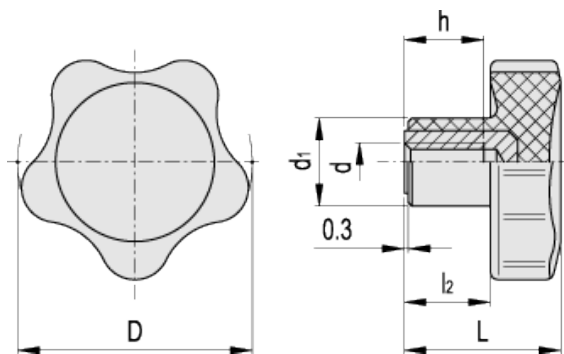


VC.692-CR

Chrome-plated lobe knobs



ELESA Original design



Elesa Standards		Main dimensions				Mounting hole		Weight
Code	Description	D	L	d ₁	l ₂	d _{6H}	h	g
152702	VC.692/32-CR-B-M6	32	22.5	14	12.5	M6	10	14
152712	VC.692/40-CR-B-M8	40	26	15	14	M8	13	23
152722	VC.692/50-CR-B-M10	50	31	18	17	M10	17	40
152731	VC.692/60-CR-B-M10	60	36.5	21	21	M10	20	63

Material

Glass-fibre reinforced polyamide based (PA) technopolymer, chrome-plated, glossy finish.

Standard execution

Brass boss, threaded blind hole.

Features and applications

The exclusive five-lobe shape (ELESA original design) offers the operator's fingers a proper grip and prevents unhealthy residues from depositing thanks to its solid shape without cavities. Moreover the chrome-plating makes the surface finish semi-glossy and homogeneous to facilitate cleaning operations.

Chemical agents resistance

This knob is particularly suitable for out-door environments subject to unfavourable weather conditions, for example in the marine environment and in general for applications on machines and equipment whose parts need frequent cleaning cycles for hygienic reasons, also with the use of water sprays or steam.

The chrome-plated surface is resistant to wear, scrapes and shocks.

In laboratory tests carried out at ambient temperature (23°C), the chrome-plated surface revealed to be resistant to: sea water, detergents, acetone, ethyl alcohol, formic acid, chlorine solutions.



STANDARD MACHINE ELEMENTS WORLDWIDE

