

# MT+IR

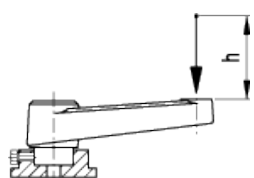
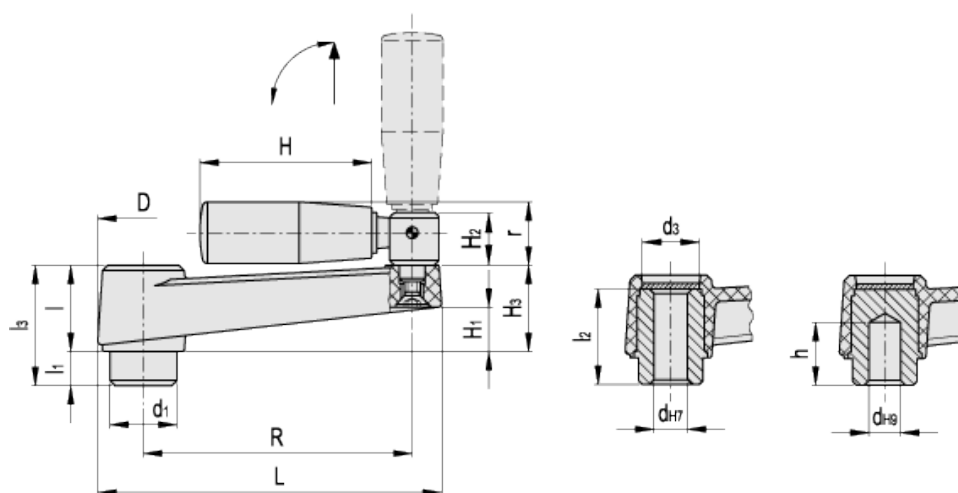
## Crank handles with fold-away handle



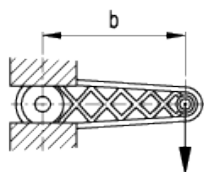
ELESA Original design



MT+IR



$$L[J] = P[N] \cdot h [m]$$



$$C[Nm] = F[N] \cdot b [m]$$

Elesa Standards		Main dimensions											Mounting hole				Handle		C #	L #	Weight	
Code	Description	R	L	D	$d_1$	$d_3$	$l_1$	$l_2$	$l_3$	$H_1$	$H_2$	$H_3$	$r$	$d_{H7}$	$d_{H9}$	$l_2$	$h$	H	$H_2$	[Nm]	[J]	g
44216	MT.80+IR	80	105	30	22	17	26	10	36	13	27	19	-	6	32	26	56	15	180	15	177	
44221	MT.80+IR A-10	80	105	30	22	17	26	10	36	13	27	19	10	-	32	-	56	15	180	15	163	

Elesa Standards		Main dimensions											Mounting hole				Handle		C #	L #	Weight
Code	Description	R	L	D	d <sub>1</sub>	d <sub>3</sub>	I	I <sub>1</sub>	I <sub>3</sub>	H <sub>1</sub>	H <sub>3</sub>	r	d <sub>H7</sub>	d <sub>H9</sub>	I <sub>2</sub>	h	H	H <sub>2</sub>	[Nm]	[J]	g
44316	MT.100+IR	100	128	34	24	21	30	10	40	15	31	22	-	8	37	28	65	20	200	27	285
44321	MT.100+IR A-12	100	128	34	24	21	30	10	40	15	31	22	12	-	37	-	65	20	200	27	265
44416	MT.130+IR	130	162	40	28	25	35	14	49	20	35	22	-	10	44	30	65	20	350	45	385
44421	MT.130+IR A-14	130	162	40	28	25	35	14	49	20	35	22	14	-	44	-	65	20	350	45	340
44516	MT.160+IR	160	198	45	34	27	40	15	55	23	40	24	-	10	49	30	80	20	450	55	525
44521	MT.160+IR A-16	160	198	45	34	27	40	15	55	23	40	24	16	-	49	-	80	20	450	55	473
44621	MT.210+IR	212	252	50	40	31	45	15	60	26	46	27	-	12	53	30	90	23	950	80	840

# See [Technical Data](#) for maximum applicable torque (C) and impact strength (L).

#### Material

Glass-fibre reinforced polyamide based (PA) technopolymer. Resistant to solvents, oils, greases and other chemical agents.

#### Colour

Black, matte finish.

#### Self-adhesive front plate

Anodised aluminium.

#### Standard execution

Black-oxide steel hub with H9 blind hole or H7 reamed pass-through hole.

Fold-away handle IR.602 high-resilience polypropylene based (PP) technopolymer, black colour, matte finish.

#### Accessories on request

Axial retaining washer type [GN 184](#).

#### Features and applications

The reticular structure of the crank arm and the technopolymer used make this handle very strong and therefore suitable for transmitting high torque values.



STANDARD MACHINE ELEMENTS WORLDWIDE

ELESA models all rights reserved in accordance with the law. Always mention the source when reproducing our drawings.