

MT-AT

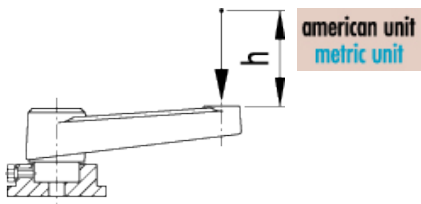
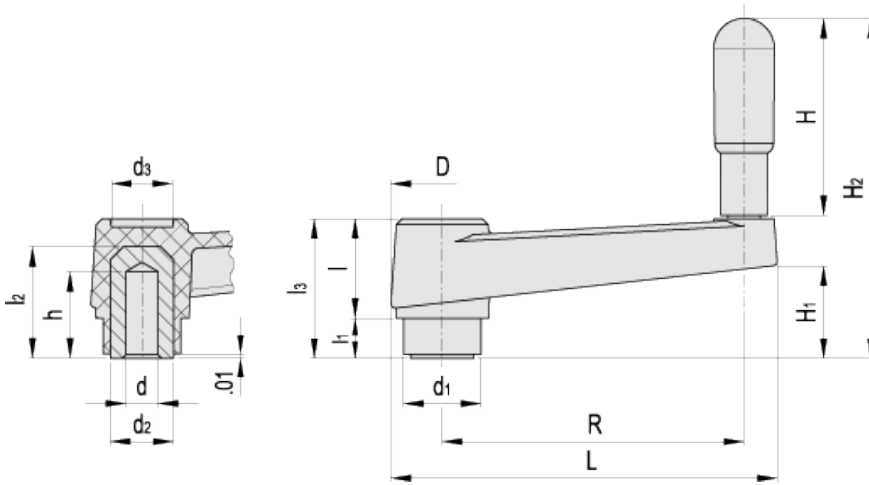
Crank handles with revolving handle



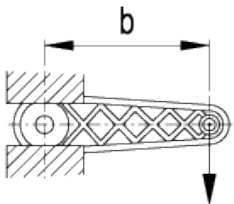
ELESA Original design



INCH



$$L [\text{ft} \cdot \text{lb}] = P [\text{lb}] \cdot h [\text{ft}]$$



$$C [\text{lb} \cdot \text{ft}] = F [\text{lb}] \cdot b [\text{ft}]$$

Elesa Standards		Main dimensions												Mounting hole		Handle	C #	L #	Weight
Code	Description	R	L	D	d ₁	d ₃	I	l ₁	l ₃	d ₂	l ₂	H ₁	H ₂	d	h	H	[ft·lb] [Nm]	[ft·lb] [J]	lbs g
944053	MT.50-AT A-5/16	1.97 50	2.72 69	0.89 22.5	0.71 18	0.51 13	0.81 20.5	0.35 9	1.16 29.5	0.59 15	0.91 23	0.73 18.5	2.6 66	0.312 -	0.71 18	1.38 35	59 80	5 7	0.121 55

Elesa Standards		Main dimensions												Mounting hole		Handle	C #	L #	Weight
Code	Description	R	L	D	d ₁	d ₃	l	l ₁	l ₃	d ₂	l ₂	H ₁	H ₂	d	h	H	[ft·lb] [Nm]	[ft·lb] [J]	lbs g
944113	MT.64-AT A-3/8	2.52 64	3.39 86	1.04 26.5	0.79 20	0.63 16	0.89 22.5	0.35 9	1.24 31.5	0.59 15	0.98 25	0.69 17.5	3.07 78	0.375 -	0.79 20	1.77 45	88 120	8 11	0.181 82
944213	MT.80-AT A-3/8	3.15 80	4.17 106	1.18 30	0.94 24	0.67 17	1.02 26	0.43 11	1.46 37	0.71 18	1.22 31	0.93 23.5	3.9 99	0.375 -	0.98 25	2.36 60	147 200	11 15	0.26 118
944313	MT.100-AT A-1/2	3.94 100	5.04 128	1.32 33.5	0.94 24	0.83 21	1.2 30.5	0.39 10	1.59 40.5	0.71 18	1.22 31	0.98 25	4.17 106	0.500 -	0.94 24	2.56 65	155 210	20 27	0.419 190
944413	MT.130-AT A-5/8	5.12 130	6.38 162	1.54 39	1.34 34	0.98 25	1.38 35	0.55 14	1.93 49	1.02 26	1.69 43	1.28 32.5	4.45 113	0.625 -	1.18 30	2.56 65	258 350	33 45	0.738 335
944513	MT.160-AT A-3/4	6.3 160	7.76 197	1.73 44	1.36 34.5	1.06 27	1.56 39.5	0.59 15	2.15 54.5	1.02 26	1.69 43	1.42 36	5.35 136	0.750 -	1.18 30	3.15 80	346 470	41 55	0.826 375

See [Technical Data](#) for maximum applicable torque (C) and impact strength (L).

Material

Glass-fibre reinforced polyamide based (PA) technopolymer. Resistant to solvents, oils, greases and other chemical agents.

Colour

Black, matte finish.

Standard execution

Black-oxide steel boss, standard reamed hole.

Revolving handle I.621 in polyamide based (PA) technopolymer, black colour, matte finish, not removable.

Features and applications

The reticular structure of the crank arm and the technopolymer used make this handle very strong and therefore suitable for transmitting high torque values.

Other executions on request

Standard metric holes.



STANDARD MACHINE ELEMENTS WORLDWIDE

ELESA models all rights reserved in accordance with the law. Always mention the source when reproducing our drawings.