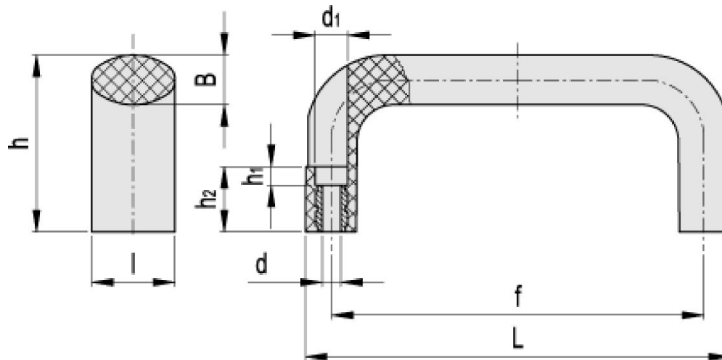


M.643 FM

Handles (front mounting)



ELESA Original design



Elesa Standards		Main dimensions					Mounting holes				F ₁	F ₂	L ₁	L ₂	Weight
Code	Description	L	f	h	B	l	d	d ₁	h ₁	h ₂	[N]	[N]	[J]	[J]	g
137311	M.643 FM/140 B-6	134	117±0.5	49	15	25	6.4	10.5	6	21	2000	2800	11	9	64
137351	M.643 FM/200 B-6	196	179±1	57	16	27	6.4	10.5	6	21	1900	1900	11	13	89

Material

High-resilience polypropylene based (PP) technopolymer. Resistant to solvents, oils, greases and other chemical agents.

Colour

Black, matte finish.

Standard execution

Brass bosses, pass-through holes for cylindrical-head screws with hexagon socket.

Technical data

Tensile stress and impact strength: F₁, F₂, L₁ and L₂ values reported in the table are the result of breaking tests carried out with the appropriate dynamometric equipment under the test conditions shown in the figure with ambient temperature.

