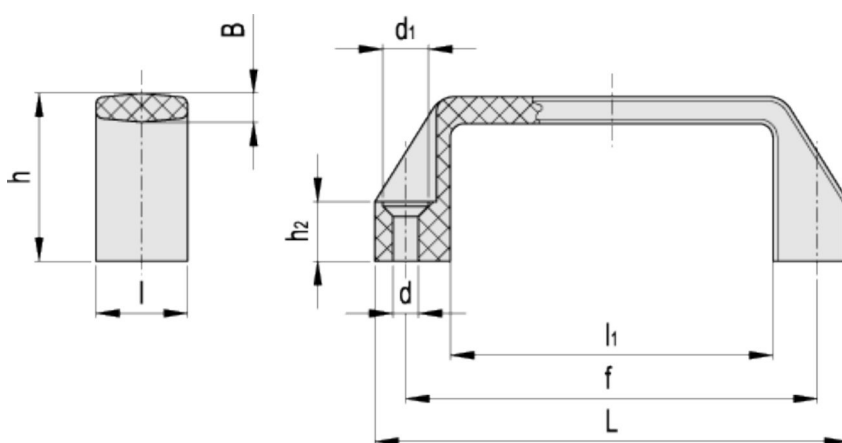


M.443 SH

Handles



ELESA Original design



Elesa Standards		Main dimensions						Mounting holes			F ₁	F ₂	L ₁	L ₂	Weight
Code	Description	L	f	h	B	l	l ₁	d	d ₁	h ₂	[N]	[N]	[J]	[J]	g
37036	M.443/110-SH	109	93.5±0.5	38	6	21	74	5.5	10	13	2000	2200	16	6	24
37136	M.443/140-SH	137	117±1	41	7	26	93	6.5	12	15	2500	2300	17	7	44
37187	M.443/170-SH	160	140±1	46	7	27	113	6.5	12	16	3400	2600	27	20	64
37247	M.443/190-SH	179	160±1	50	7	28	132	6.5	12	17	3300	2700	29	20	70
37236	M.443/200-SH	196	179±1	50	7.5	28	151	6.5	12	17	2500	2400	22	15	72

Material

Glass-fibre reinforced polyamide based (PA) technopolymer. Resistant to solvents, oils, greases and other chemical agents.

Colour

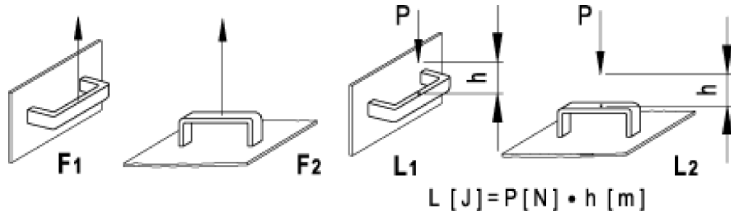
Black, matte finish.

Standard execution

Pass-through holes for countersunk head screws.

Technical data

Tensile stress and impact strength: F₁, F₂, L₁ and L₂ values reported in the table are the result of breaking tests carried out with the appropriate dynamometric equipment under the test conditions shown in the figure with ambient temperature.



STANDARD MACHINE ELEMENTS WORLDWIDE

ELESA models all rights reserved in accordance with the law. Always mention the source when reproducing our drawings.