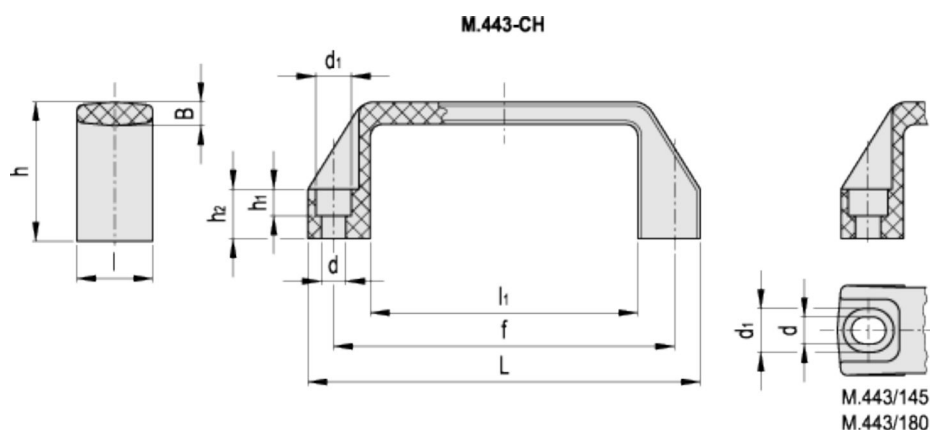


M.443 CH

Handles



ELESA Original design



* Complete with colour index, example: 37002 M.443/110-CH-C2



Elesa Standards				Description	Main dimensions						Mounting holes				F ₁	F ₂	L ₁	L ₂	Weight
C9	C2	C31	C6		L	f	h	B	l	l ₁	d	d ₁	h ₁	h ₂	[N]	[N]	[J]	[J]	
37001	37002	37004	-	M.443/110-CH*	109	93.5±0.5	38	6	21	74	6.5	10.5	7	13	3500	2500	15	8	26
37111	-	-	-	M.443/140-6-CH*	137	117±1	41	7	26	93	6.5	10.5	6	15	4500	2500	20	13	44
37101	37102	37104	37105	M.443/140-8-CH*	137	117±1	41	7	26	93	8.5	13.5	8.5	15	4500	2500	20	13	42
37145	-	-	-	M.443/145-CH*	142	120÷122±1	41	7	26	100	8.5	13.5	8.5	15	3700	2500	25	14	44
37151	37152	37154	-	M.443/150-CH*	150	132±1	45	7	27	108	8.5	13.5	8.5	16	3500	2500	27	14	47
37183	37184	37185	-	M.443/170-CH*	160	140±1	46	7	27	113	8.5	13.5	8.5	16	3400	2600	27	20	50
37191	37192	37193	-	M.443/180-CH*	172	149÷152±1	47	7	27	125	8.5	13.5	8.5	17	3000	2700	27	20	53
37241	37242	37244	-	M.443/190-CH*	179	160±1	50	7.5	28	132	8.5	13.5	8.5	17	3300	2700	29	20	60
37201	37202	37204	37205	M.443/200-CH*	196	179±1	50	7.5	28	151	8.5	13.5	8.5	17	2800	2700	33	20	70
37251	37252	37254	-	M.443/260-CH*	260	235±1	54	8.5	30	201	10.5	16.5	10.5	20	3200	3500	40	34	118

Material

Glass-fibre reinforced polyamide based (PA) technopolymer. Resistant to solvents, oils, greases and other chemical agents.

Colour

Black, orange, grey, red, matte finish.



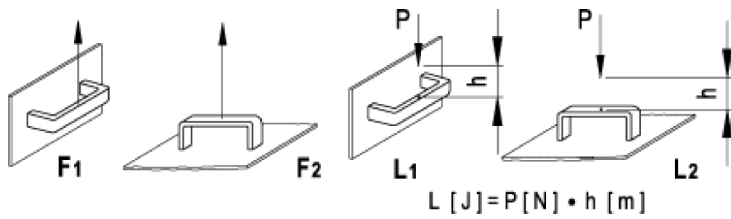
Standard execution

Pass-through holes for cylindrical-head screws with hexagon socket.

M.443/180-CH: slotted assembly holes for fitting hole centres from 149 to 152 mm.

Technical data

Tensile stress and impact strength: F1, F2, L1 and L2 values reported in the table are the result of breaking tests carried out with the appropriate dynamometric equipment under the test conditions shown in the figure with ambient temperature.



STANDARD MACHINE ELEMENTS WORLDWIDE

ELESA models all rights reserved in accordance with the law. Always mention the source when reproducing our drawings.