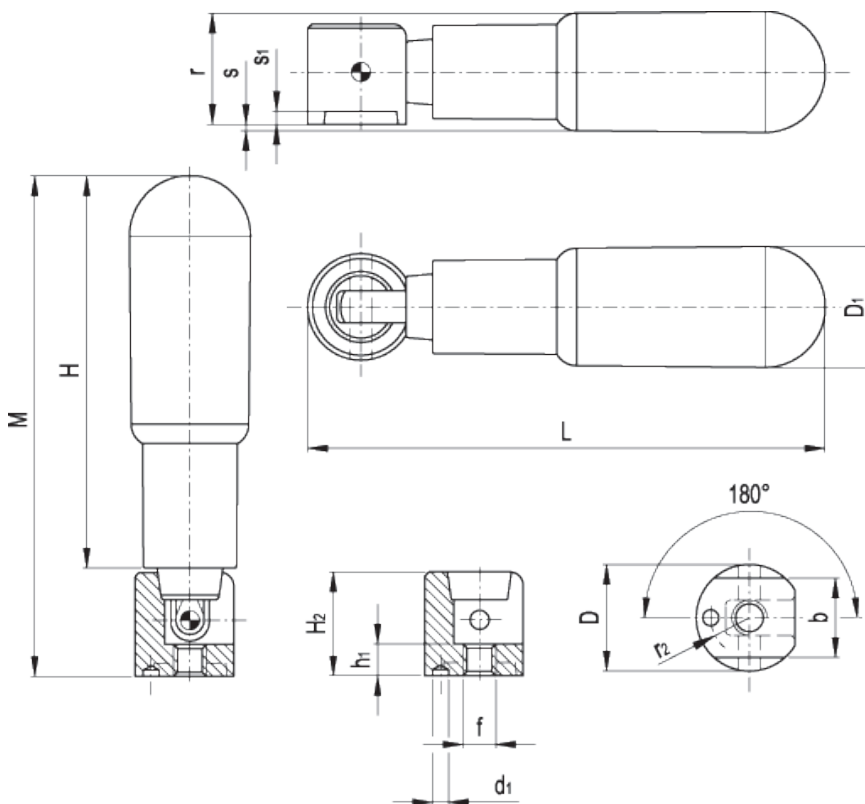


# IR.620

## Two-volume fold-away handles



ELESA Original design



american unit  
metric unit

Elesa Standards		Main dimensions												Mounting hole		Weight
Code	Description	H	L	M	D	D <sub>1</sub>	H <sub>2</sub>	r	s	s <sub>1</sub>	b	d <sub>1</sub>	r <sub>2</sub>	f	h <sub>1</sub>	lbs g
128442	IR.620/45 S.D.16	1.77 45	2.48 63	2.36 60	0.63 16	0.61 15.5	0.55 14	0.59 15	0.02 0.5	0.07 1.7	0.39 10	0.12 3	0.22 5.5	- M4	0.16 4	0.079 36
128444	IR.620/60 S.D.16	2.36 60	3.07 78	2.91 74	0.63 16	0.71 18	0.55 14	0.65 16.5	0.06 1.5	0.07 1.7	0.39 10	0.12 3	0.22 5.5	- M4	0.16 4	0.084 38
128445	IR.620/65 S.D.16	2.56 65	3.52 89.5	3.17 80.5	0.63 16	0.87 22	0.55 14	0.81 20.5	0.06 1.5	0.07 1.7	0.39 10	0.12 3	0.22 5.5	- M4	0.16 4	0.163 74

Elesa Standards		Main dimensions												Mounting hole		Weight
Code	Description	H	L	M	D	D <sub>1</sub>	H <sub>2</sub>	r	s	s <sub>1</sub>	b	d <sub>1</sub>	r <sub>2</sub>	f	h <sub>1</sub>	lbs g
128446	IR.620/65 S.D.20	2.56 65	3.6 91.5	3.35 85	0.79 20	0.87 22	0.73 18.5	0.81 20.5	0.06 1.5	0.09 2.3	0.55 14	0.12 3	0.28 7	- M6	0.2 5	0.172 78
128448	IR.620/80 S.D.20	3.15 80	4.17 106	3.94 100	0.79 20	0.94 24	0.73 18.5	0.85 21.5	0.1 2.5	0.09 2.3	0.55 14	0.12 3	0.28 7	- M6	0.2 5	0.198 90
128449	IR.620/90 S.D.20	3.54 90	4.55 115.5	4.33 110	0.79 20	0.98 25	0.73 18.5	1 25.5	0.02 0.5	0.09 2.3	0.55 14	0.12 3	0.28 7	- M6	0.2 5	0.26 118
128450	IR.620/90 S.D.26	3.54 90	4.69 119	4.49 114	1.02 26	0.98 25	0.91 23	1 25.5	0.02 0.5	0.09 2.3	0.71 18	0.12 3	0.35 9	- M6	0.28 7	0.319 145

Elesa Standards		Main dimensions												Mounting hole		Weight
Code	Description	H	L	M	D	D <sub>1</sub>	H <sub>2</sub>	r	s	s <sub>1</sub>	b	d <sub>1</sub>	r <sub>2</sub>	f	h <sub>1</sub>	lbs g
128462	IR.620/45-SST-S.D.16	1.77 45	2.48 63	2.36 60	0.63 16	0.61 15.5	0.55 14	0.59 15	0.02 0.5	0.07 1.7	0.39 10	0.12 3	0.22 5.5	- M5	0.16 4	0.079 36
128464	IR.620/60-SST-S.D.16	2.36 60	3.07 78	2.91 74	0.63 16	0.71 18	0.55 14	0.65 16.5	0.06 1.5	0.07 1.7	0.39 10	0.12 3	0.22 5.5	- M4	0.16 4	0.084 38
128465	IR.620/65-SST-S.D.16	2.56 65	3.52 89.5	3.17 80.5	0.63 16	0.87 22	0.55 14	0.81 20.5	0.06 1.5	0.07 1.7	0.39 10	0.12 3	0.22 5.5	- M4	0.16 4	0.163 74
128466	IR.620/65-SST-S.D.20	2.56 65	3.6 91.5	3.35 85	0.79 20	0.87 22	0.73 18.5	0.81 20.5	0.06 1.5	0.09 2.3	0.55 14	0.12 3	0.28 7	- M6	0.2 5	0.172 78
128468	IR.620/80-SST-S.D.20	3.15 80	4.17 106	3.94 100	0.79 20	0.94 24	0.73 18.5	0.85 21.5	0.1 2.5	0.09 2.3	0.55 14	0.12 3	0.28 7	- M6	0.2 5	0.198 90
128469	IR.620/90-SST-S.D.20	3.54 90	4.55 115.5	4.33 110	0.79 20	0.98 25	0.73 18.5	1 25.5	0.02 0.5	0.09 2.3	0.55 14	0.12 3	0.28 7	- M6	0.2 5	0.26 118
128470	IR.620/90-SST-S.D.26	3.54 90	4.69 119	4.49 114	1.02 26	0.98 25	0.91 23	1 25.5	0.02 .5	0.09 2.3	0.71 18	0.12 3	0.35 9	- M6	0.28 7	0.319 145

### Material

Polyamide based (PA) technopolymer handle. Resistant to solvents, oils, greases and other chemical agents.

### Colour

Black, matte finish.

### Stud

Black-oxide steel. Handle pivots freely during operation.

### Flat base for embedded mounting

Sintered and oxidised steel.

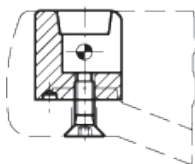
### Features and applications

This series of fold-away handles has been designed for all those applications for which, owing to lack of space or for safety reasons, the handle must be folded-away once the operation has been completed.

### Ergonomy and design

The two-volume special design and the semi-spherical end of this handle provide the operator's hand with a safe and ergonomic grip.

Typical assembly example  
with embedded base



**elesa**

STANDARD MACHINE ELEMENTS WORLDWIDE

ELESA models all rights reserved in accordance with the law. Always mention the source when reproducing our drawings.