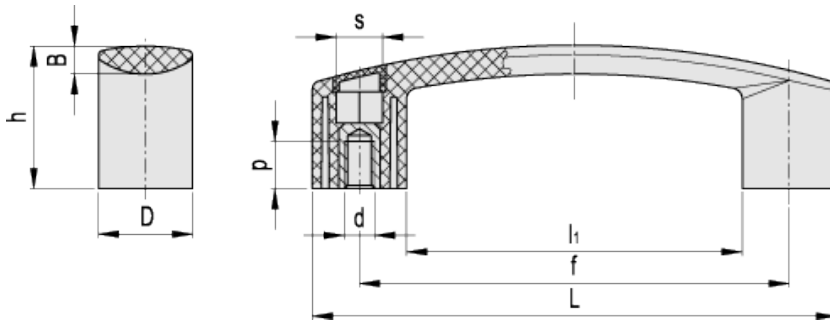


EBP.B

Bridge handles back mounting



ELESA Original design



american unit
metric unit



* Complete with colour index, example: 90260121-C2 EBP.110 B-1/4-20-C2

C1 C2 C3 C4 C5 C6
 RAL7021 RAL2004 RAL7035 RAL1021 RAL5024 RAL3000

Elesa Standards		Main dimensions							Threaded bosses		F ₁	F ₂	L ₁	L ₂	Weight
Code	Description	L	f	D	h	B	l ₁	s	d _{2B}	p	[lbf] [N]	[lbf] [N]	[ft·lb] [J]	[ft·lb] [J]	lbs g
90260121-*	EBP.110 B-1/4-20-*	4.57 116	3.68±0.02 93.5±0.5	0.87 22	1.38 35	0.3 7.5	2.83 72	0.39 10	1/4-20 -	0.47 12	448 2000	336 1500	6 8	2 3	0.099 45
90260221-*	EBP.140 B-5/16-18-*	5.67 144	4.61±0.02 117±0.5	1.02 26	1.54 39	0.33 8.5	3.62 92	0.51 13	5/16-18 -	0.51 13	605 2700	403 1800	7 10	3 4	0.143 65
90260256-*	EBP.150 B-5/16-18-*	6.26 159	5.2±0.02 132±0.5	1.06 27	1.65 42	0.37 9.5	4.13 105	0.51 13	5/16-18 -	0.51 13	605 2700	403 1800	8 11	3 4	0.181 82
90260321-*	EBP.180 B-5/16-18-*	7.01 178	5.91±0.04 150±1	1.1 28	1.77 45	0.37 9.5	4.8 122	0.51 13	5/16-18 -	0.51 13	605 2700	336 1500	9 12	4 5	0.216 98
90260421-*	EBP.200 B-5/16-18-*	8.21 208.5	7.05±0.04 179±1	1.12 28.5	2.01 51	0.37 9.5	5.93 150.5	0.51 13	5/16-18 -	0.51 13	493 2200	336 1500	12 16	7 9	0.238 108

Code	Description	Caps for
29830-*	ECA.B0-*	EBP.110 EBP.110
29831-*	ECA.B1-*	EBP.140 EBP.150 EBP.180 EBP.200 EBP.140 EBP.150 EBP.180 EBP.200

* Complete with colour index (C1,.....C6).

Material

Glass-fibre reinforced polyamide based (PA) technopolymer. Resistant to solvents, oils, greases and other chemical agents.

Colour

Grey-black, matte finish.

Caps

Technopolymer in Ergostyle colours, matte finish. Supplied with the handle, press-fit assembly, removable by a screwdriver. Available also as accessories sold separately (see table).

Standard execution

Brass bosses, threaded blind holes.

Features and applications

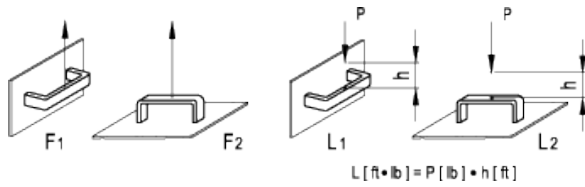
EBP. handles with back mounting can be assembled in pairs opposed to EBP.B handles with front mounting (Fig. 1).



Fig.1

Technical data

Tensile stress and impact strength: F1, F2, L1 and L2 values reported in the table are the result of breaking tests carried out with the appropriate dynamometric equipment under the test conditions shown in the figure with ambient temperature.



Other executions on request

Metric threaded holes.



STANDARD MACHINE ELEMENTS WORLDWIDE

ELESA models all rights reserved in accordance with the law. Always mention the source when reproducing our drawings.