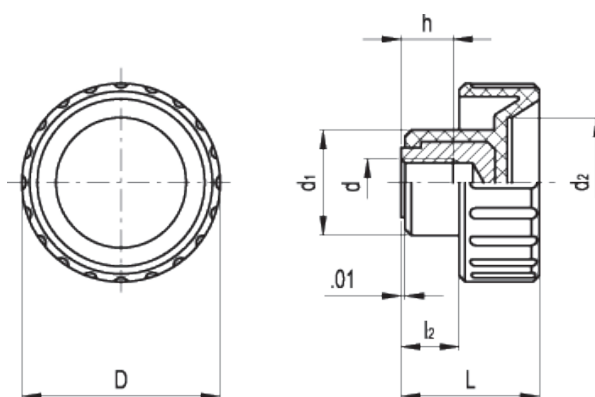


# BT-SST

## Fluted grip knobs



american unit  
metric unit

Elesa Standards		Main dimensions					Mounting hole		Weight
Code	Description	D	L	d <sub>1</sub>	d <sub>2</sub>	l <sub>2</sub>	d <sub>6H</sub>	h	lbs g
106521	BT.20-SST-M5	0.79 20	0.63 16	0.45 11.5	0.43 11	0.24 6	- M5	0.2 5	0.013 6
106621	BT.25-SST-M6	0.98 25	0.75 19	0.63 16	0.59 15	0.31 8	- M6	0.31 8	0.02 9
106721	BT.32-SST-M8	1.26 32	0.87 22	0.67 17	0.83 21	0.35 9	- M8	0.39 10	0.026 12

### Material

Polyamide based (PA) technopolymer. Resistant to solvents, oils, greases and other chemical agents.

### Colour

Black, matte finish.

### Assembly

AISI 303 stainless steel boss, tapped blind hole.

### Features and applications

AISI 303 stainless steel, thanks to its high resistance to corrosion, allows the application of these knobs on machines and equipment in those sectors where laws or particular hygienic, climatic and environmental factors make it mandatory to use corrosion resistant materials.



STANDARD MACHINE ELEMENTS WORLDWIDE

ELESA models all rights reserved in accordance with the law. Always mention the source when reproducing our drawings.