

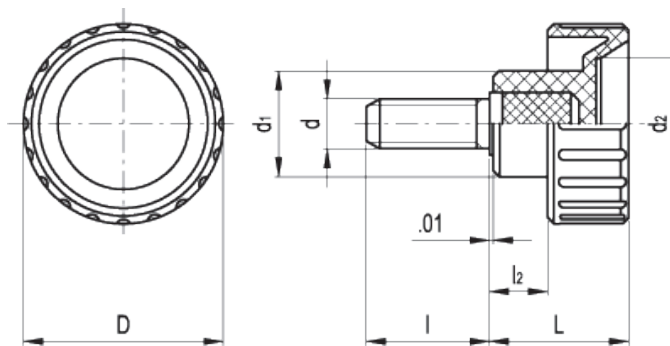
BT-SST-p

Fluted grip knobs

elesa



INOX
Stainless Steel



american unit
metric unit

Elesa Standards		Main dimensions					Threaded stud		Weight
Code	Description	D	L	d ₁	d ₂	l ₂	d _{6g}	l	lbs g
106541	BT.20-SST-p-M5x10	0.79 20	0.63 16	0.45 11.5	0.43 11	0.24 6	- M5	0.39 10	0.015 7
106542	BT.20-SST-p-M5x16	0.79 20	0.63 16	0.45 11.5	0.43 11	0.24 6	- M5	0.63 16	0.018 8
106642	BT.25-SST-p-M6x16	0.98 25	0.75 19	0.63 16	0.59 15	0.31 8	- M6	0.63 16	0.022 10
106644	BT.25-SST-p-M6x20	0.98 25	0.75 19	0.63 16	0.59 15	0.31 8	- M6	0.79 20	0.024 11
106647	BT.25-SST-p-M6x30	0.98 25	0.75 19	0.63 16	0.59 15	0.31 8	- M6	1.18 30	0.029 13
106752	BT.32-SST-p-M8x16	1.26 32	0.87 22	0.67 17	0.83 21	0.35 9	- M8	0.63 16	0.037 17
106754	BT.32-SST-p-M8x20	1.26 32	0.87 22	0.67 17	0.83 21	0.35 9	- M8	0.79 20	0.042 19
106757	BT.32-SST-p-M8x30	1.26 32	0.87 22	0.67 17	0.83 21	0.35 9	- M8	1.18 30	0.051 23

Material

Polyamide based (PA) technopolymer. Resistant to solvents, oils, greases and other chemical agents.

Colour

Black, matte finish.

Assembly

AISI 303 stainless steel threaded stud, chamfered flat end according to ISO 4753 (see [Technical Data](#)).

Features and applications

AISI 303 stainless steel, thanks to its high resistance to corrosion, allows the application of these knobs on machines and equipment in those sectors where laws or particular hygienic, climatic and environmental factors make it mandatory to use corrosion resistant materials.



STANDAARD MACHINE ELEMENTS WORLDWIDE

ELESA models all rights reserved in accordance with the law. Always mention the source when reproducing our drawings.