

Info

1 Quarter turns



2 Rod controls



3 Locking systems

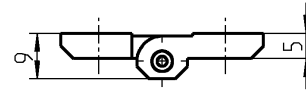
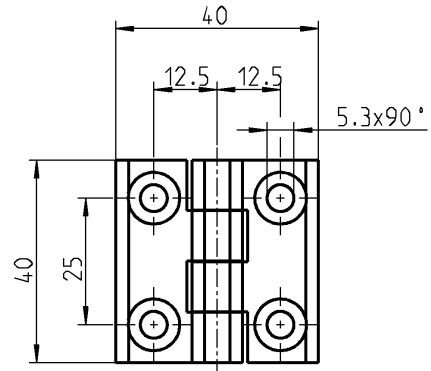
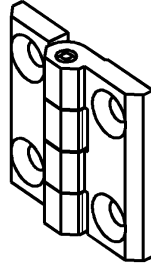
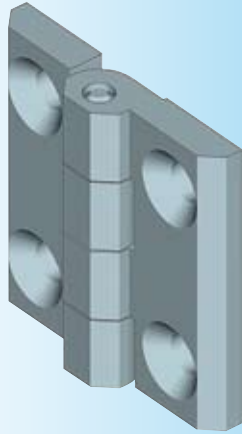
4 Hinges

5 Gasketing

6 Handles

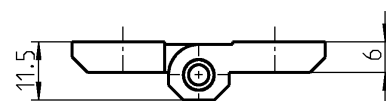
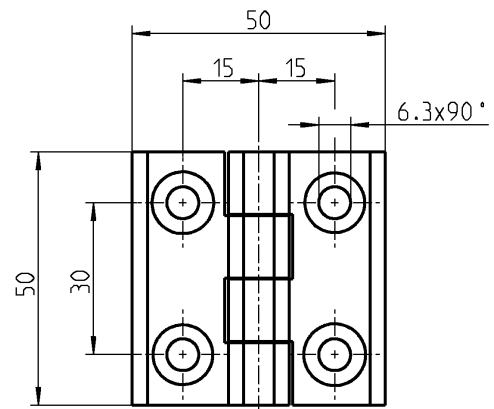
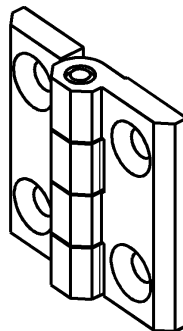
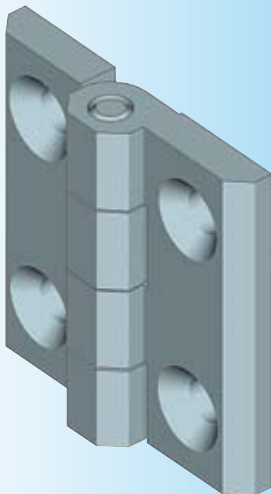
7 Aluminium windows

8 Stainless steel



Screw-on hinge AISI 316 for countersunk screw M5

1056-U5-PH



Screw-on hinge AISI 316 for countersunk screw M6

(2D-nut possible)

1056-U9-PH