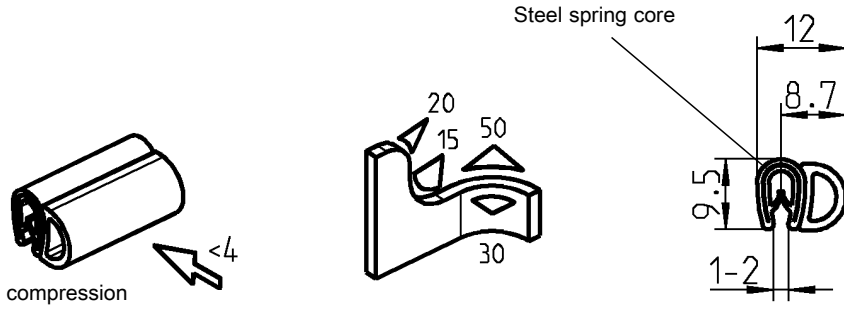


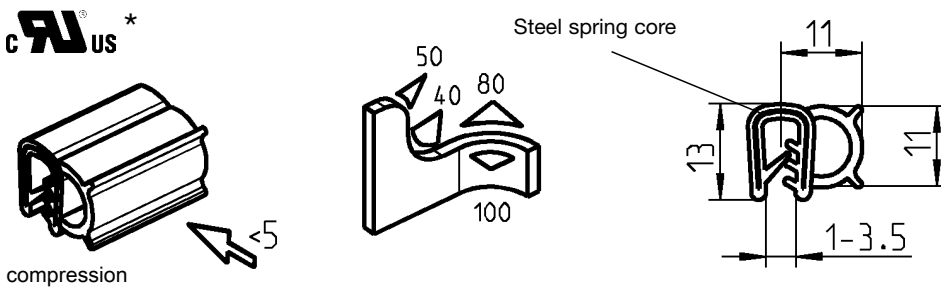
Self-gripping gasketing

PROGRAM 1011



Sponge-rubber (EPDM) black / Gasket PVC

1011-20



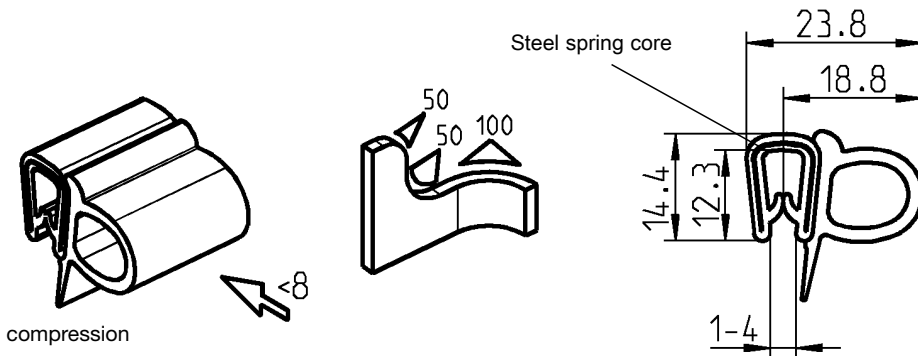
Material for gasketing on choice

Sponge-rubber (EPDM) black (gasket EPDM 65° ± 5 Shore A)

1011-06*

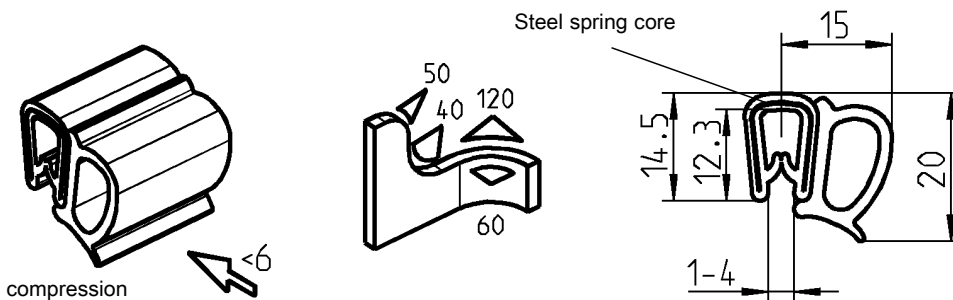
Foam rubber (NBR) black (gasket NBR 60° p 5 Shore A)

1011-16



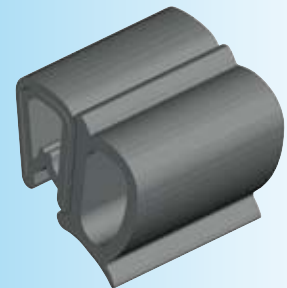
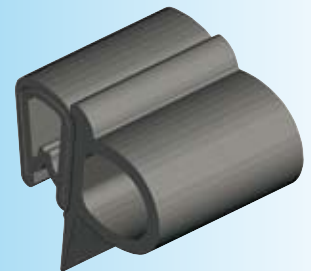
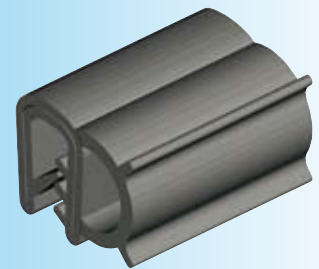
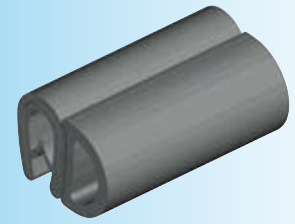
Sponge-rubber (EPDM) black / Gasket PVC

1011-25



Sponge-rubber (EPDM) black / Gasket PVC

1011-23



* **UL US**

UL 50

UL 50E

UL 94-HB