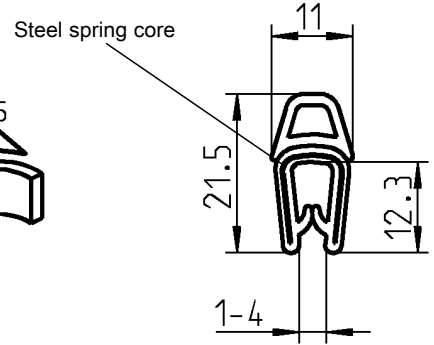
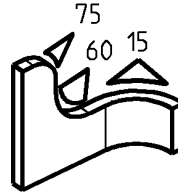
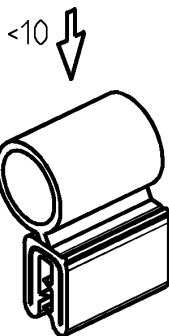


compression

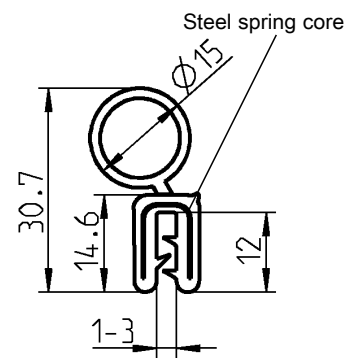
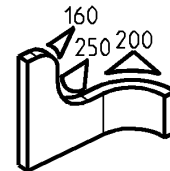


Sponge-rubber (EPDM) black / Gasket PVC

1011-18

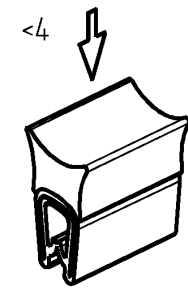


compression

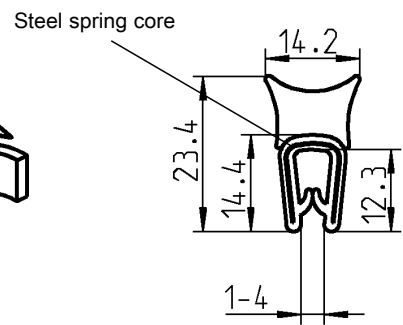
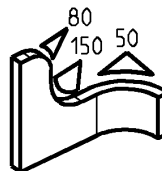


Gasket EPDM 60° ± 5 Shore A black

1011-34

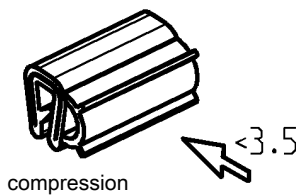
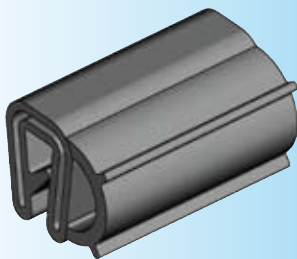


compression

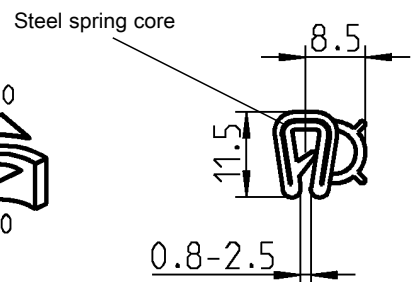
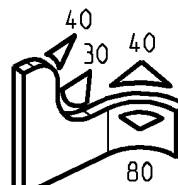


Sponge-rubber (EPDM) black / Gasket PVC

1011-21



compression



UL 50
UL 50E
UL 94-HB

Sponge-rubber (EPDM) black (gasket EPDM 65° ± 5 Shore A)

1011-09*