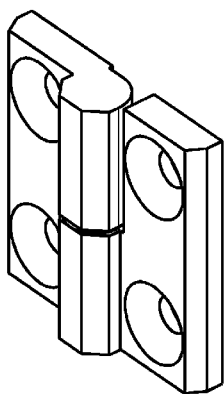
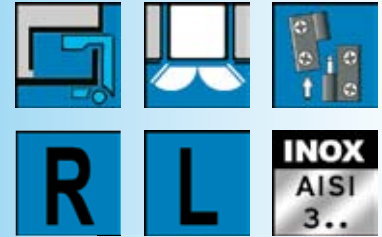
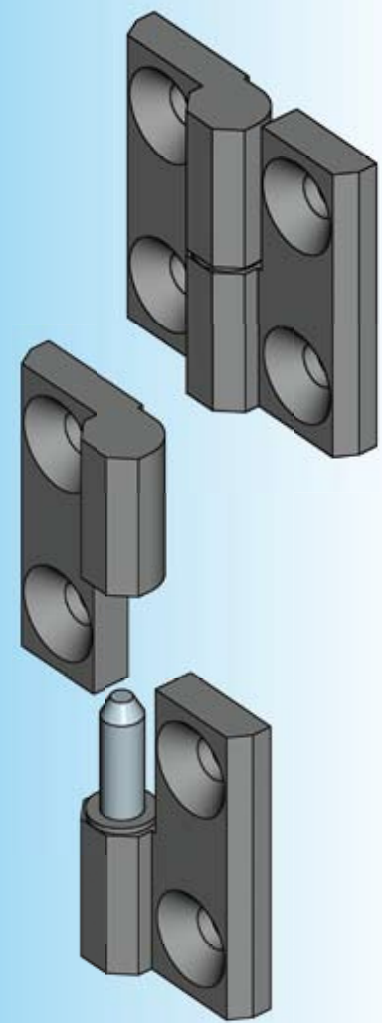
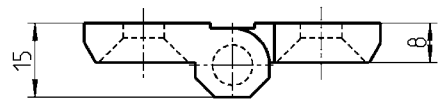
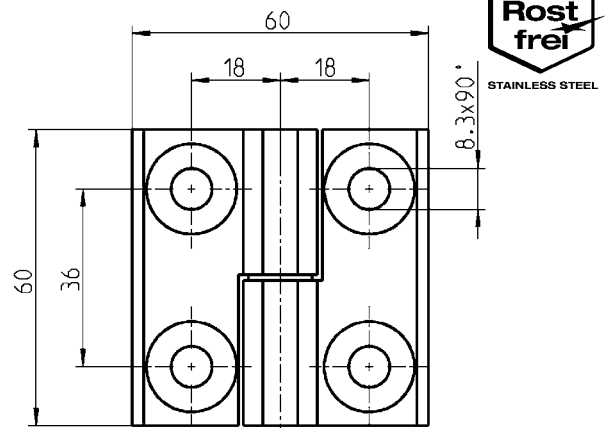


# 180° screw-on hinge PROGRAM 1056



Right-hand version shown  
Left-hand version is a mirror-image



Screw-on hinge zinc die black powder coated or AISI 316, washer polyamide black or stainless steel, pin stainless steel for countersunk screw M8

	Zinc die	AISI 316
LH version	1056-U58	1056-U58-PH
RH version	1056-U57	1056-U57-PH