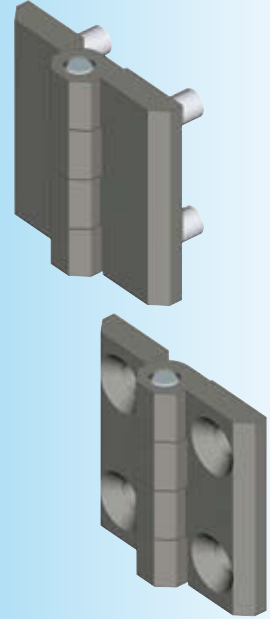
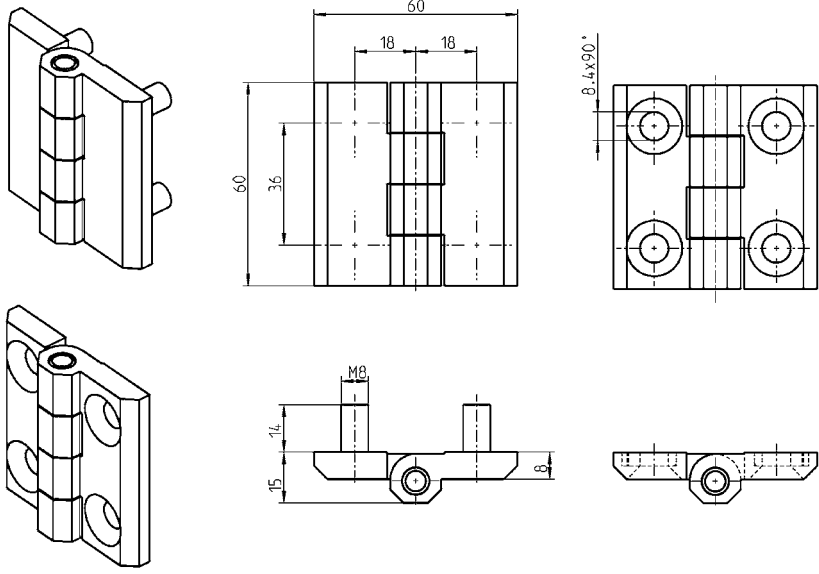


# 180° screw-on hinge

## PROGRAM 1056

### Beschlagteile



Screw-on hinge zinc die or polyamide, threaded studs M8 stainl. steel

	pin	with threaded studs M8	for countersunk screw M8
zinc die chrome pl.	stainless steel	1056-U11	1056-U13
zinc die black p.c.	stainless steel	1056-U12	1056-U14
AISI 316	stainless steel	–	1056-U13-PH