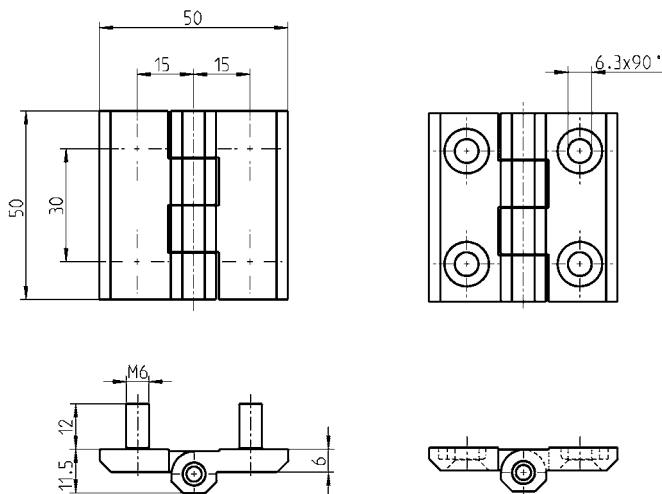
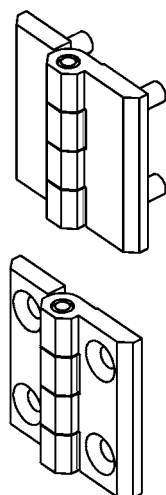


### 180° screw-on hinge

STAINLESS STEEL



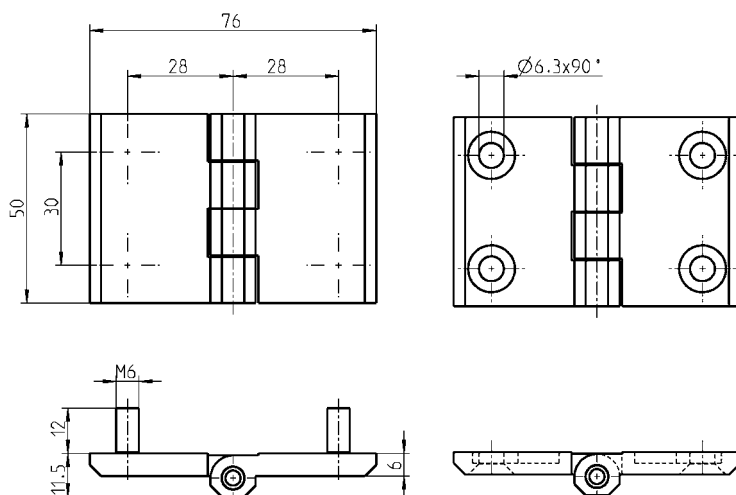
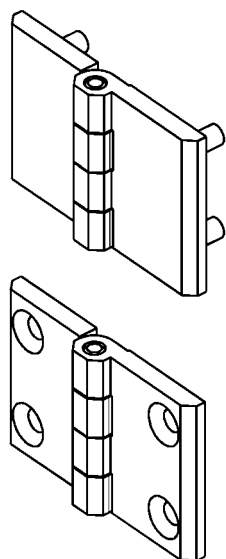
#### Screw-on hinge zinc die, polyamide or stainl. steel, threaded studs M6 stainl. steel

	pin	with threaded studs M6	for countersunk screw M6 (2D-nut possible)
zinc die chrome pl.	stainless steel	1056-U7	1056-U9
zinc die black p.c.	stainless steel	1056-U8	1056-U10
polyamide black	stainless steel	-	1056-U31
polyamide black	polyamide	-	1056-U42
AISI 316	stainless steel	-	1056-U9-PH



### 270° screw-on hinge

STAINLESS STEEL



#### Screw-on hinge zinc die or stainl. steel, threaded studs M6 stainl. steel

	pin	with threaded studs M6	for countersunk screw M6 (2D-nut possible)
zinc die chrome pl.	stainless steel	1056-U15	1056-U17
zinc die black p.c.	stainless steel	1056-U16	1056-U18
AISI 316	stainless steel	-	1056-U17-PH

Further parts see page  
- 2D-nut

12E-120