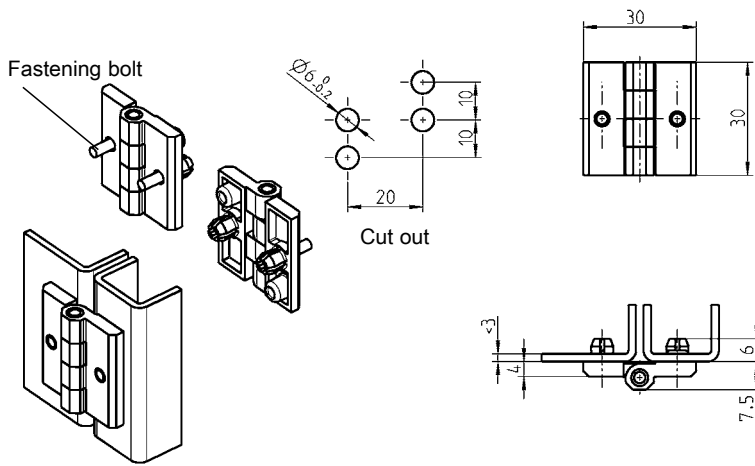


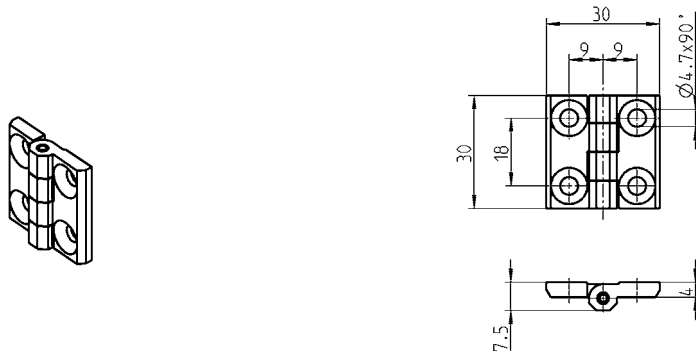
180° screw-on hinge

PROGRAM 1056



Hinge polyamide, pin and fixing material polyamide

1056-U32



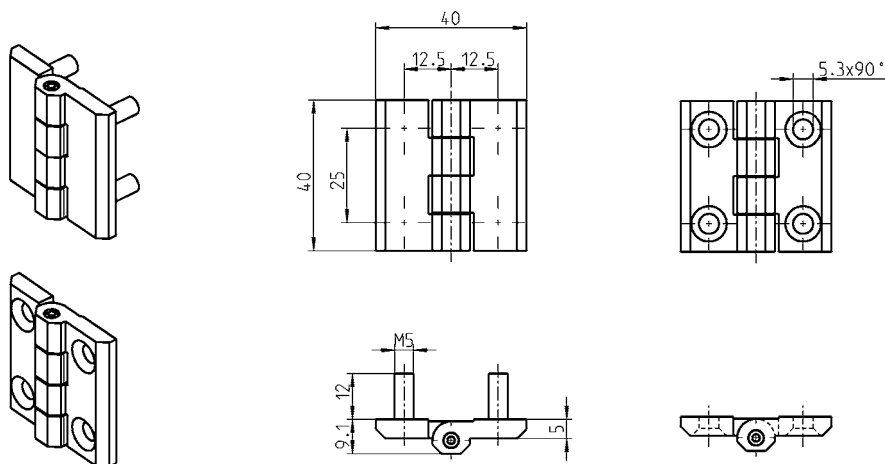
Screw-on hinge for countersunk screw M4, GD-Zn surface on choice, pin stainless steel

black powder coated

1056-U60

chrome plated

1056-U61



Screw-on hinge zinc die, polyamide or stainl. steel, threaded studs M5 stainl. steel

	pin	with threaded studs M5	for countersunk screw M5
zinc die chrome pl.	stainl. steel	1056-U3	1056-U5
zinc die black p.c.	stainl. steel	1056-U4	1056-U6
polyamide black	stainl. steel	-	1056-U30
polyamide black	polyamide	-	1056-U41
AISI 316	stainl. steel	-	1056-U5-PH

