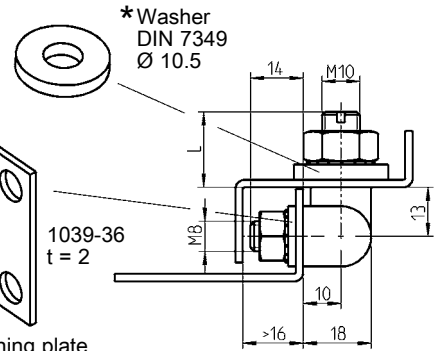
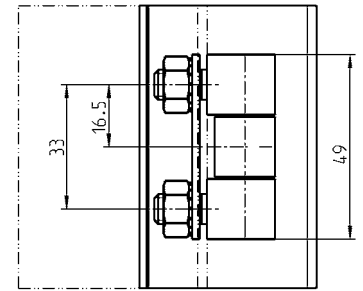
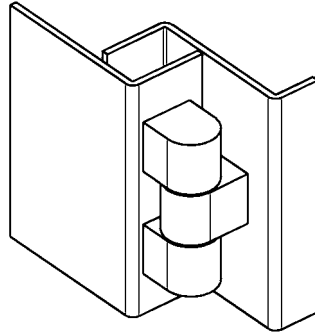
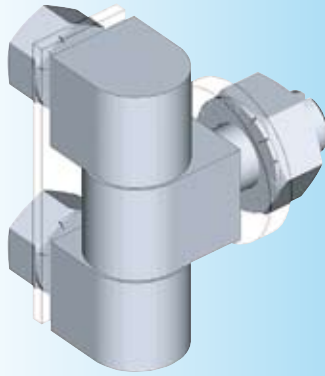


Hinge PROGRAM 1039, 1035

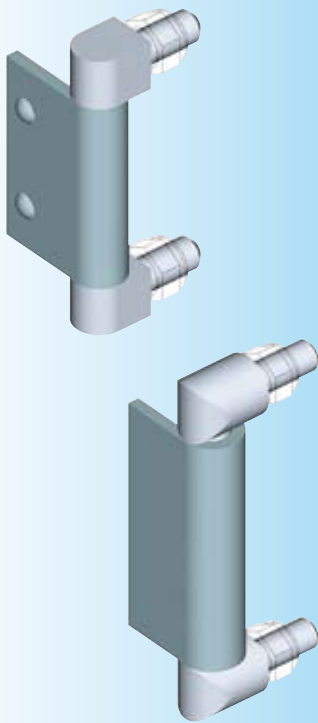
180° screw-on hinge
for pressure resistant doors



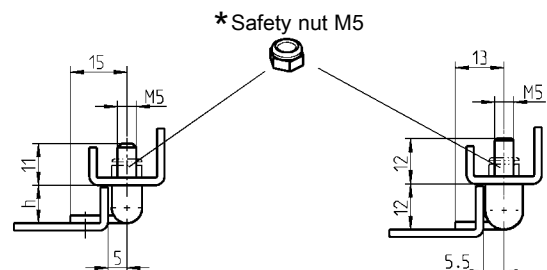
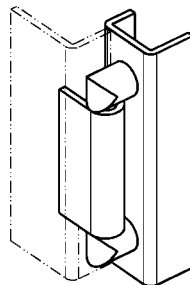
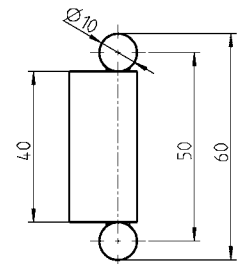
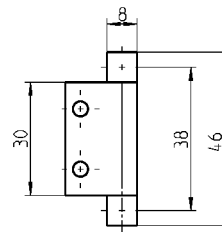
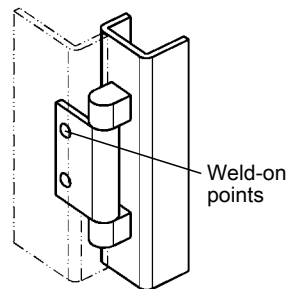
Stiffening plate

180° screw-on hinge m.s. zinc pl., pin and washer brass nickel pl.

Stud	L = 20 mm	1039-U6
	55 mm	1039-U7
	65 mm	1039-U8
Stiffening plate m.s. zinc pl.		
		1039-36



180° hinge



180° hinge m.s. zinc pl.
weld-on part m.s. raw

H= 10	1035-U1	180° hinge m.s. zinc pl. weld-on part m.s. raw	1035-U2
12	1035-U3		

* not included