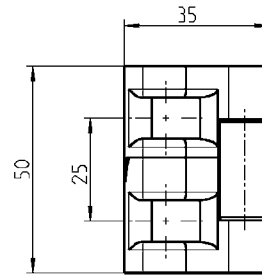
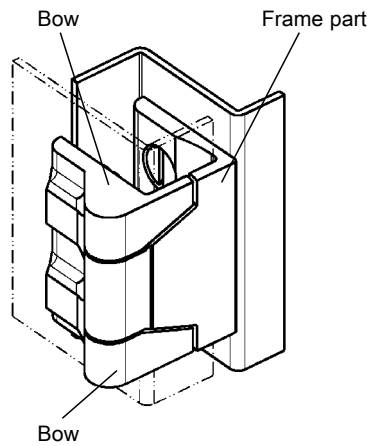
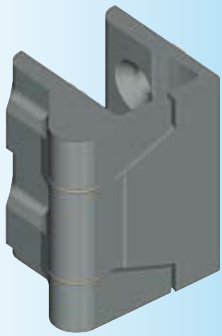


### 180° hinge PROGRAM 1110

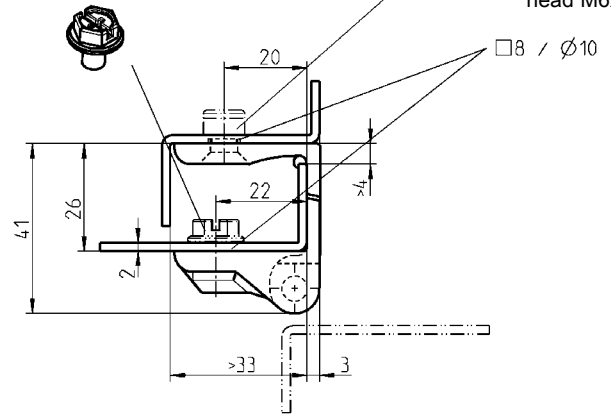
180° hinge for in-line cabinets with single door  
135° lift-off version for 25 mm door return



\* Vibration proof screw  
1000-277-03JB (M6x8)

\* Safety nut  
M6

\* Countersunk  
screw small  
head M6x...



180° hinge zinc die, pin stainl. steel and brass washer

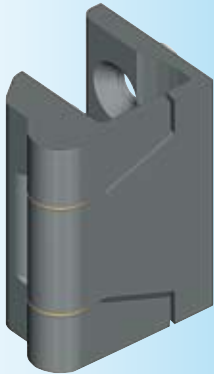
black powder coated

1110-U52

chrome plated

1110-U53

180° hinge for in-line cabinets with single door  
lift-off version for 25 mm door return

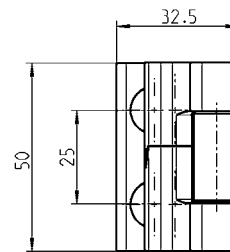
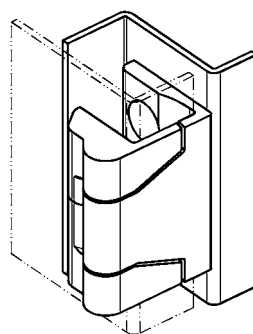


**Note:**  
Lift-off by removing the lower  
door part

\* not included

small head = DIN ISO 2009,  
2010, 7046-1, 7046-2, 7047

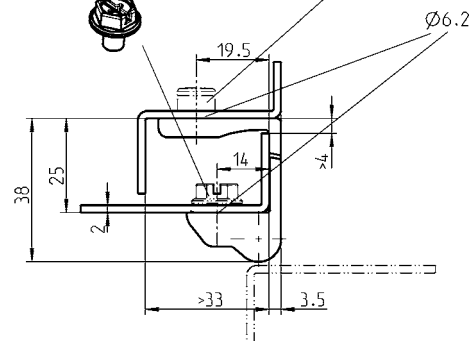
Further parts see page  
- 2D-nut 12E-120  
- Fixing material 12E-100



\* Vibration proof screw  
1000-277-03JB (M6x8)

\* Safety nut  
M6

\* Countersunk  
screw small  
head M6x...



If a reduced gap is required between  
the door and frame of approx 1-2 mm  
then a cut-out is required.  
The deeper the cut-out, the closer the  
door can be to the frame.

180° hinge zinc die black p.c., hinge pin m.s. zinc pl. and brass washer

1110-U123