

120° hinge PROGRAM 1031, 1032

Beschlagteile

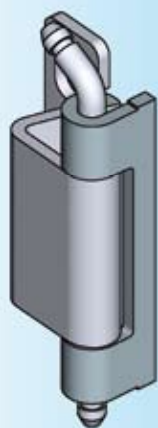
Info

1 Quarter turns

2 Rod controls

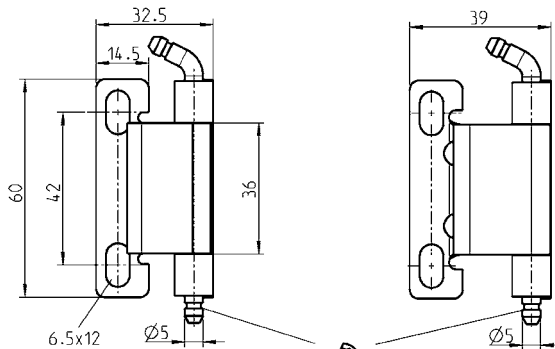
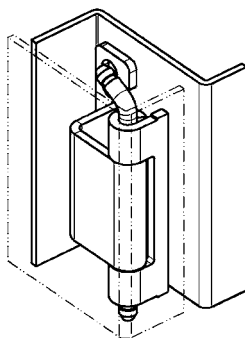
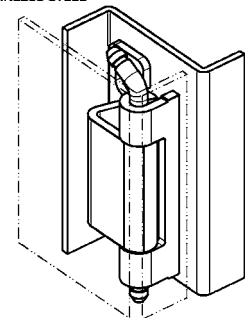
3 Locking systems

4 Hinges

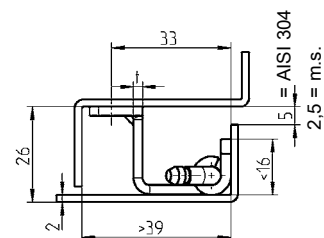
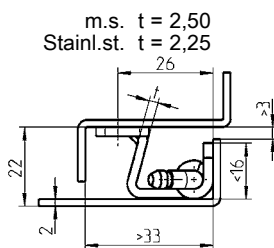


EDELSTAHL®
Rost frei
120° hinges for 22 or 26 mm door return

STAINLESS STEEL



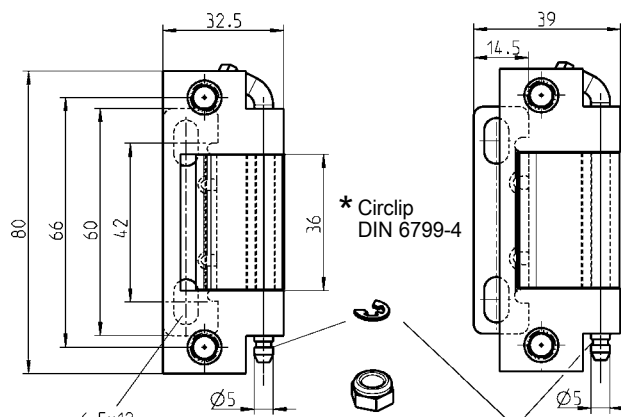
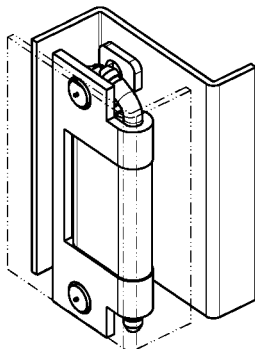
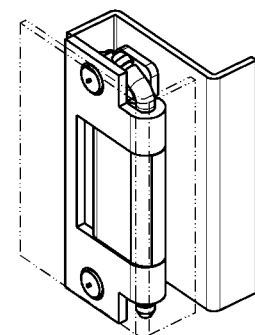
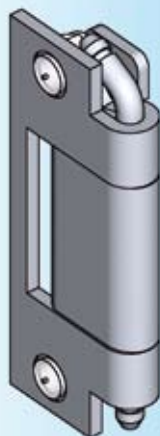
* Circlip
DIN 6799-4



120° hinge m.s. zinc pl. or stainl. steel, weld-on part m.s. raw or AISI 304

St (Size 22)	1032-U1	St (Size 26)	1031-U1
AISI (Size 22)	1032-U2	AISI (Size 26)	1031-U2

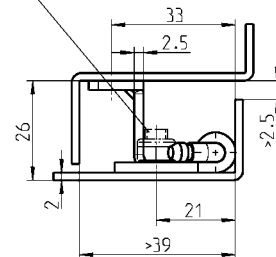
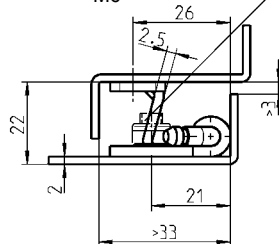
120° hinges for
a weld stud for 22 or 26 mm door return



* Circlip
DIN 6799-4

* Safety nut
M6

* Weld stud M6x12



* not included

Further parts see page
– Fixing material

12E-100

Hinge m.s. zinc pl.

(Dim. 22)	1032-U5	(Dim. 26)	1031-U10
-----------	---------	-----------	----------