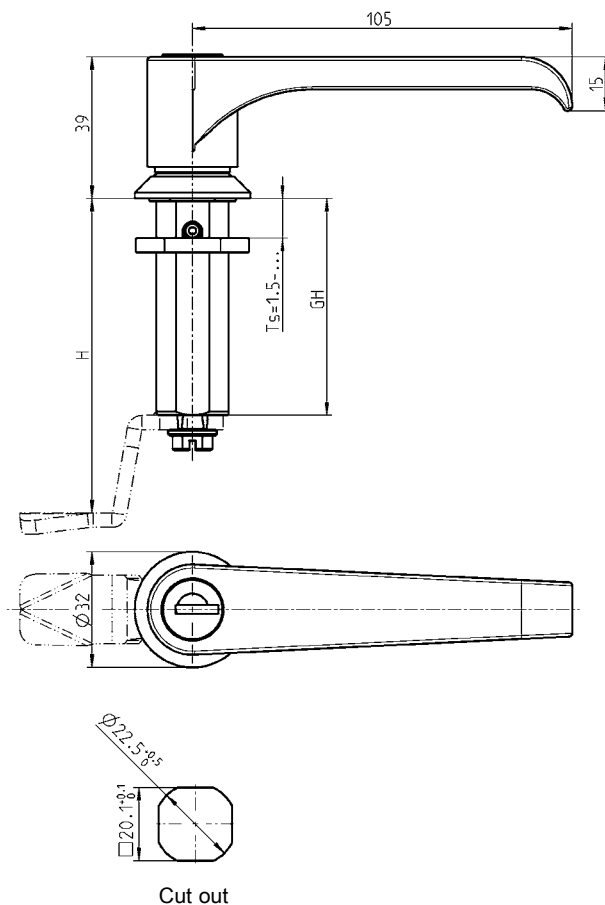
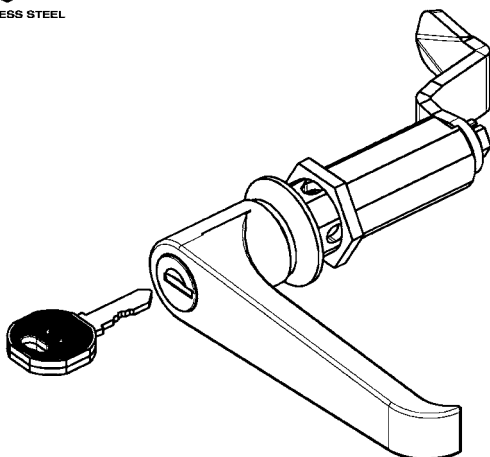


L-Handle

PROGRAM 1000



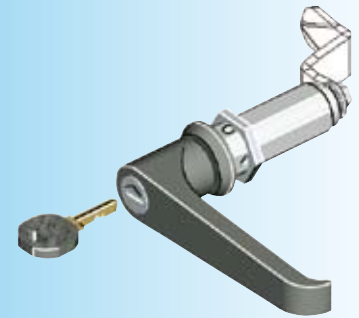
Each cylinder has one silver steel key with polyamide GF grip black, screw and nut m.s.zinc pl., key removable in both positions.

L-Handle, suitable for KABA-cylinder type 1036 for standard locking or master key system on request.

L-Handle		Handle and housing zinc die chrome plated, nut, earthnut and screw m.s. zinc plated, with seal, cylinder zinc die, with stainless steel cap and shutter		
IP 65		non locking	keyed EK 333	keyed different
GH	Ts 1,5 - 8 mm			
18 mm				
	with nut	1000-U14	1000-U15	1000-U16
	with earthnut	1000-U57	1000-U58	1000-U59
30 mm	20 mm			
	with nut	1000-U98	1000-U100	1000-U102
	with earthnut	1000-U99	1000-U101	1000-U103
40 mm	30 mm			
	with nut	1000-U104	1000-U106	1000-U108
	with earthnut	1000-U105	1000-U107	1000-U109
50 mm	40 mm			
	with nut	1000-U110	1000-U112	1000-U114
	with earthnut	1000-U111	1000-U113	1000-U115
60 mm	50 mm			
	with nut	1000-U612	1000-U614	1000-U616
	with earthnut	1000-U613	1000-U615	1000-U617



L-Handle IP 65		Handle, housing zinc die black powder coated, nut, earthnut and screw m.s. zinc plated, with seal, cylinder zinc die with stainless steel cap and shutter.		
GH 18 mm	Ts 1,5 - 8 mm	non locking	keyed EK 333	keyed different
with nut		1000-U353	1000-U390	1000-U391
with earthnut		1000-U392	1000-U393	1000-U394
30 mm	20 mm			
with nut		1000-U354	1000-U356	1000-U358
with earthnut		1000-U355	1000-U357	1000-U359
40 mm	30 mm			
with nut		1000-U360	1000-U362	1000-U364
with earthnut		1000-U361	1000-U363	1000-U365
50 mm	40 mm			
with nut		1000-U366	1000-U368	1000-U370
with earthnut		1000-U367	1000-U369	1000-U371
60 mm	50 mm			
with nut		1000-U618	1000-U620	1000-U622
with earthnut		1000-U619	1000-U621	1000-U623



L-Handle IP 65		Handle, housing, nut and screw AISI 316, with seal		
GH 18 mm	Ts 1,5 - 8 mm	non locking	keyed EK 333	keyed different
with nut		1000-U658	1000-U15-PH	1000-U16-PH

L-Handle IP 65		Handle polyamide black Housing zinc die black powder coated, nut, earthnut and screw m.s. zinc plated, with seal, cylinder zinc die, with stainless steel cap and shutter		
GH 18 mm	Ts 1,5 - 8 mm	non locking	keyed EK 333	keyed different
with nut		1000-U570	1000-U572	1000-U574
with earthnut		1000-U571	1000-U573	1000-U575
30 mm	20 mm			
with nut		1000-U576	1000-U578	1000-U580
with earthnut		1000-U577	1000-U579	1000-U581
40 mm	30 mm			
with nut		1000-U582	1000-U584	1000-U586
with earthnut		1000-U583	1000-U585	1000-U587
50 mm	40 mm			
with nut		1000-U588	1000-U590	1000-U592
with earthnut		1000-U589	1000-U591	1000-U593
60 mm	50 mm			
with nut		1000-U624	1000-U626	1000-U628
with earthnut		1000-U625	1000-U627	1000-U629

Further parts see page

- Cam 1C-120
- Accessories up to 1C-220
- Escutcheon from 1C-340
- Spare key 3B-140
- 12B-140