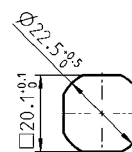
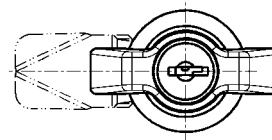
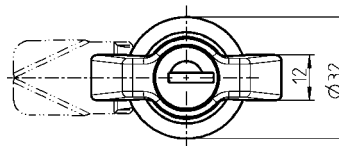
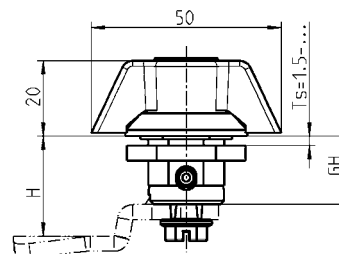
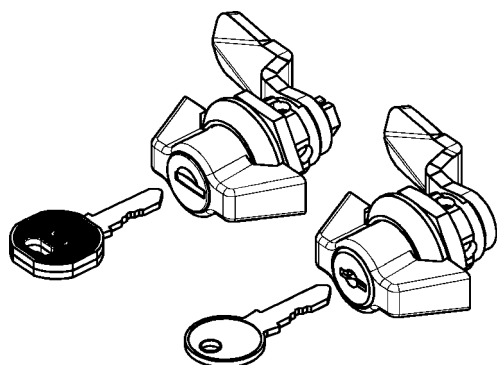


# Wing knob

## PROGRAM 1000



Cut out

### Cylinder zinc die

Each cylinder has one silver steel key with polyamide GF grip black.  
Screw and nut m.s. zinc plated.  
Key removable in both positions.

### Cylinder polyamide

Each cylinder has one m.s. nickel plated key.  
Screw and nut m.s. zinc plated.  
Key removable in both positions.

### Wing knob

Handle, housing zinc die chrome pl., with sealing nut, earthnut and screw m.s. zinc plated  
cylinder zinc die with stainless steel cap and shutter

IP 65

GH 18 mm	Ts 1,5 - 8 mm	non locking	keyed EK 333	Keyed different
	with nut	1000-U149	1000-U150	1000-U151
	with earthnut	1000-U152	1000-U153	1000-U154
30 mm	20 mm			
	with nut	1000-U269	1000-U271	1000-U273
	with earthnut	1000-U270	1000-U272	1000-U274
40 mm	30 mm			
	with nut	1000-U275	1000-U277	1000-U279
	with earthnut	1000-U276	1000-U278	1000-U280
50 mm	40 mm			
	with nut	1000-U281	1000-U283	1000-U285
	with earthnut	1000-U282	1000-U284	1000-U286
60 mm	50 mm			
	with nut	1000-U633	1000-U635	1000-U637
	with earthnut	1000-U634	1000-U636	1000-U638

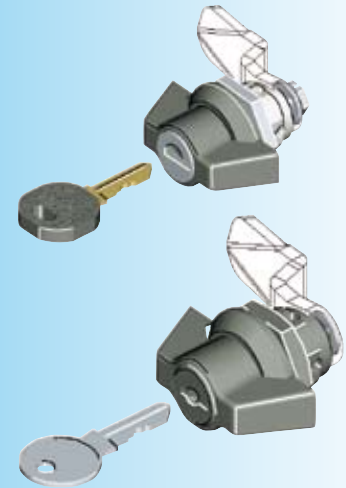
## Beschlagteile



Wing knob		Handle and housing zinc die black powder coated, earthnut and screw m.s. zinc plated, with seal cylinder zinc die, with stainless steel cap and shutter		
IP 65		non locking	keyed EK 333	keyed different
<b>GH</b> 18 mm	<b>Ts</b> 1,5 - 8 mm			
with nut		1000-U241	1000-U237	1000-U239
with earthnut		1000-U242	1000-U238	1000-U240
<b>30 mm</b>	<b>20 mm</b>			
with nut		1000-U403	1000-U405	1000-U407
with earthnut		1000-U404	1000-U406	1000-U408
<b>40 mm</b>	<b>30 mm</b>			
with nut		1000-U409	1000-U411	1000-U413
with earthnut		1000-U410	1000-U412	1000-U414
<b>50 mm</b>	<b>40 mm</b>			
with nut		1000-U415	1000-U417	1000-U419
with earthnut		1000-U416	1000-U418	1000-U420
<b>60 mm</b>	<b>50 mm</b>			
with nut		1000-U639	1000-U641	1000-U643
with earthnut		1000-U640	1000-U642	1000-U644

Wing knob		Handle, housing, nut and screw AISI 316, with seal		
IP 65		non locking	keyed EK 333	keyed different
<b>GH</b> 18 mm	<b>Ts</b> 1,5 - 8 mm			
with nut		1000-U665	1000-U150-PH	1000-U151-PH

Wing knob		Handle polyamide black, housing zinc die black p.c., earthnut and screw m.s. zinc plated, with seal, cylinder zinc die with stainless steel cap and shutter			Handle, housing, Cylinder and nut polyamide black (IP 40)	
IP 65		non locking	keyed EK 333	keyed different	keyed EK 333	keyed different
<b>GH</b> 18 mm	<b>Ts</b> 1,5 - 8 mm					
with nut		1000-U343	1000-U345	1000-U347	1000-U754	1000-U753
with earthnut		1000-U344	1000-U346	1000-U348	-	-
<b>30 mm</b>	<b>20 mm</b>					
with nut		1000-U512	1000-U514	1000-U516	-	-
with earthnut		1000-U513	1000-U515	1000-U517	-	-
<b>40 mm</b>	<b>30 mm</b>					
with nut		1000-U518	1000-U520	1000-U522	-	-
with earthnut		1000-U519	1000-U521	1000-U523	-	-
<b>50 mm</b>	<b>40 mm</b>					
with nut		1000-U524	1000-U526	1000-U528	-	-
with earthnut		1000-U525	1000-U527	1000-U529	-	-
<b>60 mm</b>	<b>50 mm</b>					
with nut		1000-U645	1000-U647	1000-U649	-	-
with earthnut		1000-U646	1000-U648	1000-U650	-	-



**Further parts see page**

- Cam 1C-120
- Accessories up to 1C-220
- Escutcheon from 1C-340
- Spare key 3B-140
- 12B-140