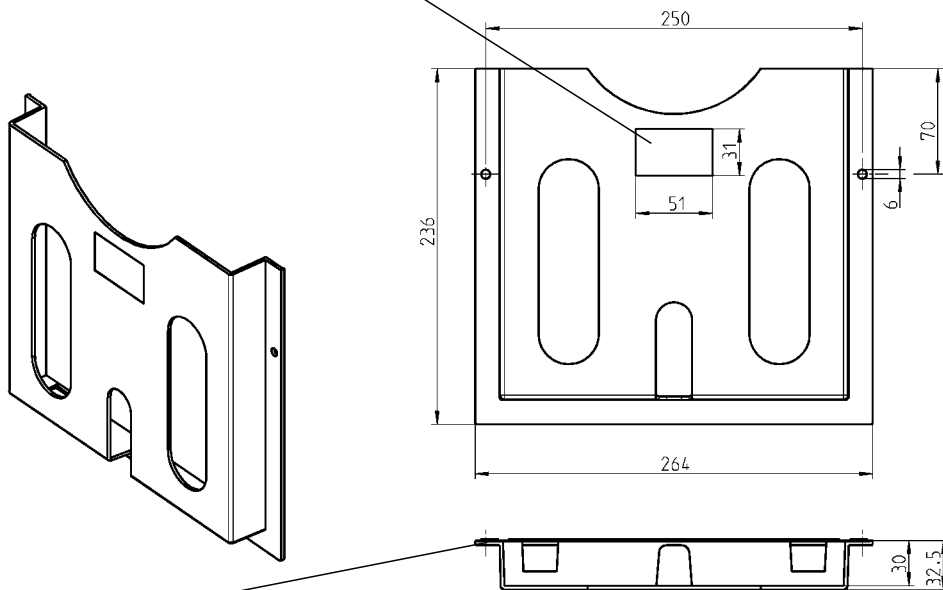


Drawing pocket

PROGRAM 1013

cavity 51x31x0,2, moulded logo or multicolour print possible

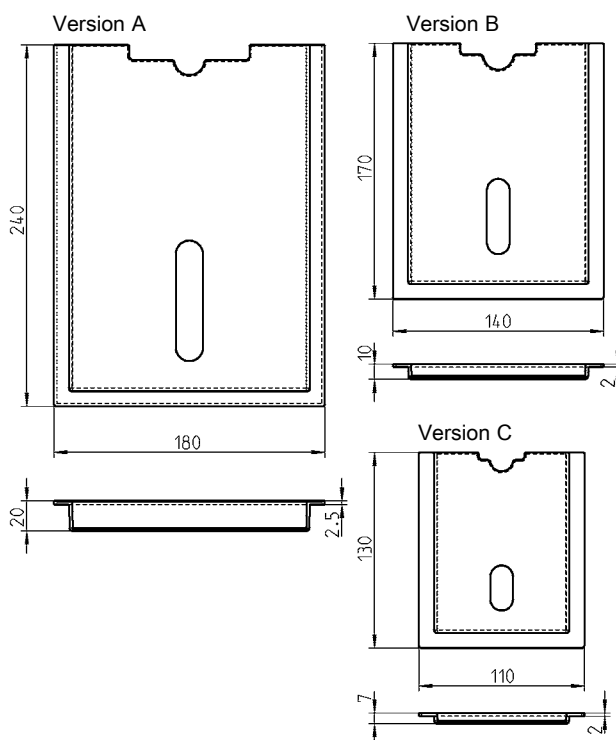
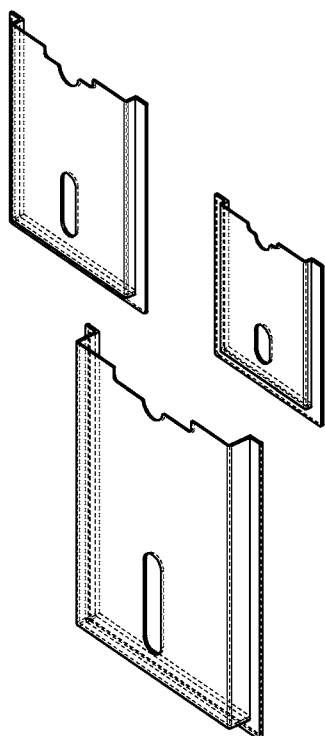
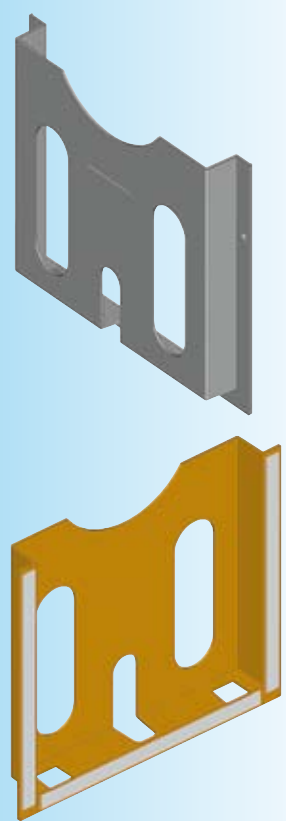


Self-adhesive, for heavy duty application use the 2 installation-holes Size DIN A4

Drawing pocket PS impact proof, self-adhesive

grey	1013-U1
orange	1013-U2

RL



Drawing pocket SAN, transparent, self-adhesive

Version A	1013-U5
Version B	1013-U4
Version C	1013-U3