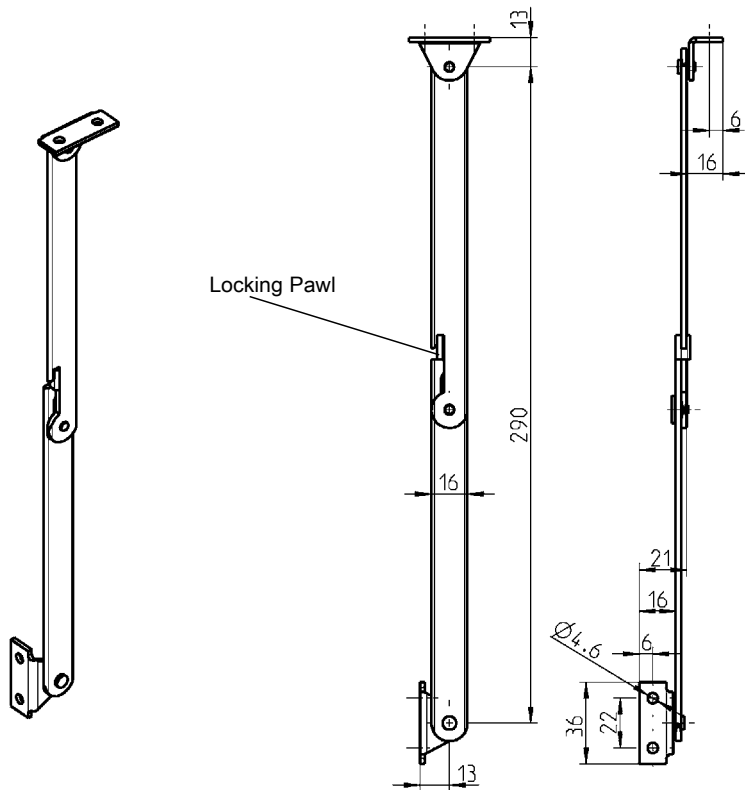


# Cover stay

## PROGRAM 1050, 1070

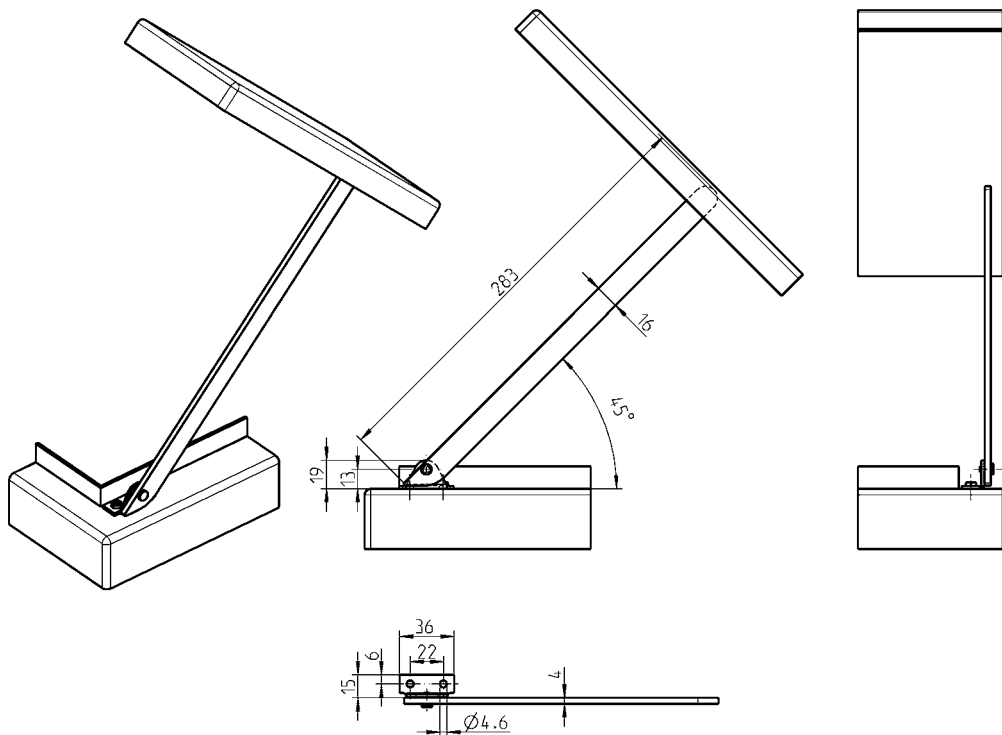


**RL**



### Cover stay m.s. nickel plated

RH	1050-U1
LH	1050-U2



### Cover stay m.s. zinc plated

RH	1070-U1
LH	1070-U2

Further parts see page  
– Hinge Chapter 4