

### Beschlagteile

Info

1 Quarter turns



2 Rod controls



3 Locking systems

4 Hinges

5 Gasketing

6 Handles

7 Aluminium windows

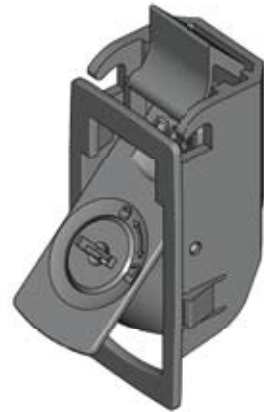
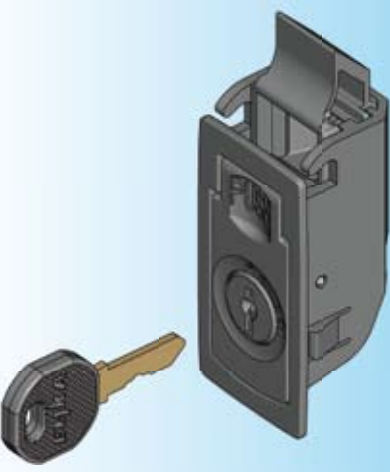
8 Stainless steel

9 Latches

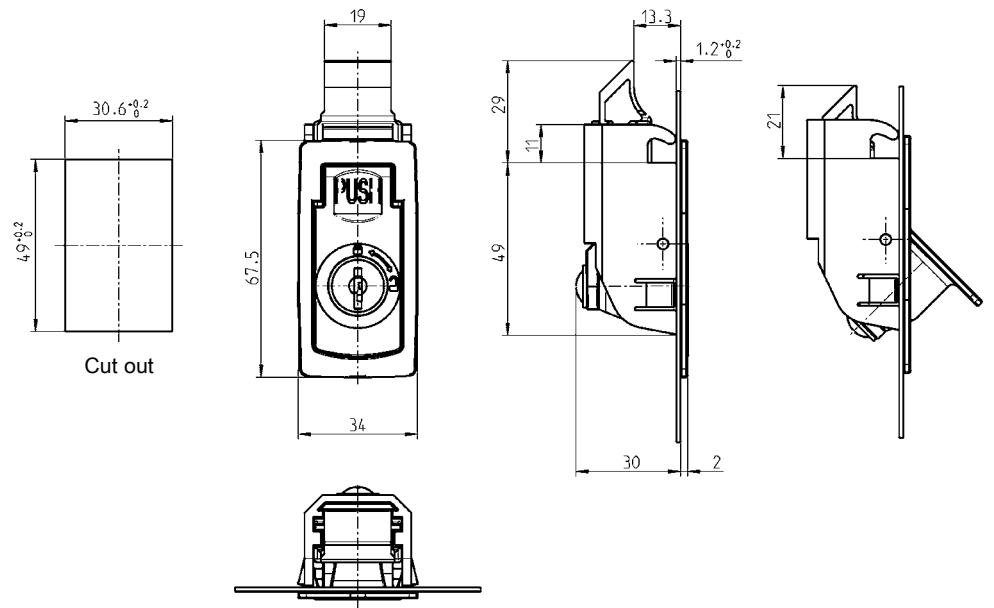
10 Air-conditioning

11 ELM Security Systems

12 Miscell-aneous



open condition



Further parts see page  
– Spare key 12B-140

Side panel latch polyamide GF black, screw m.s. zinc plated  
Each cylinder has one silver steel key with polyamide GF grip black.  
Key removable in both positions

keyed EK 333	1091-U143
keyed different	1091-U143-01V
Blank	1091-U143-02