



Info

1 Quarter turns

2 Rod controls

3 Locking systems

4 Hinges

5 Gasketing

6 Handles

7 Aluminium windows

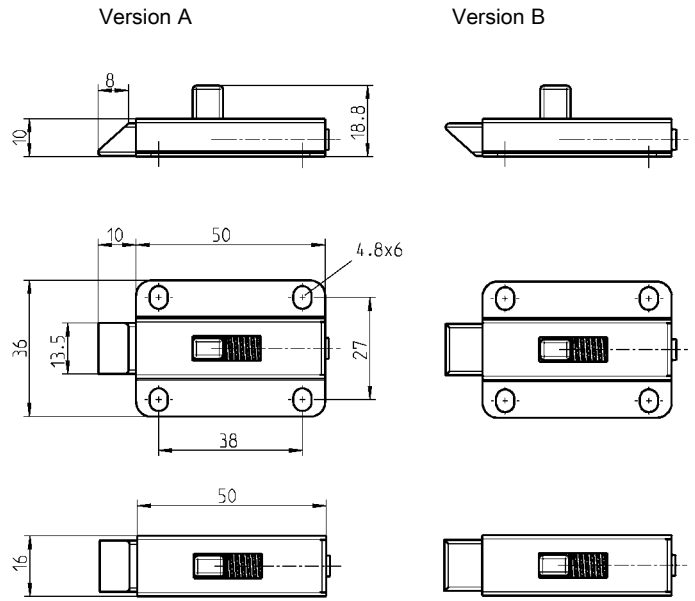
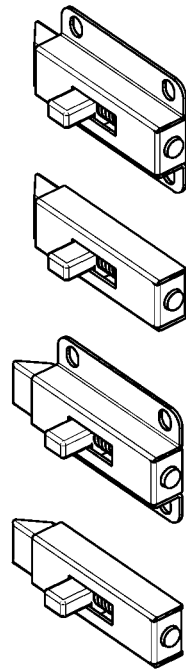
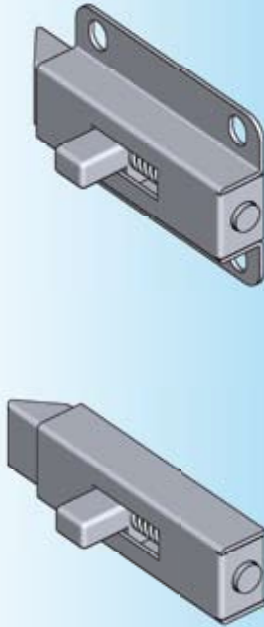
8 Stainless steel

9 Latches

10 Air-conditioning

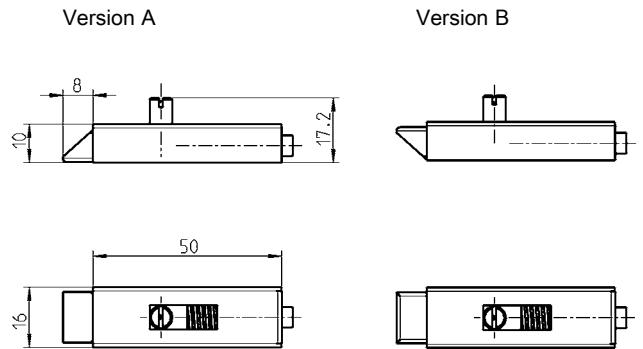
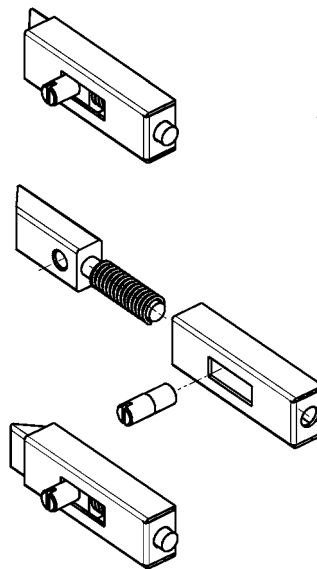
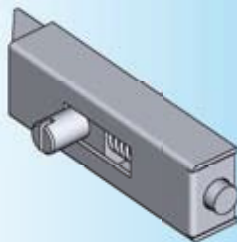
11 ELM Security Systems

12 Miscellaneous



Slam-lock m.s. zinc plated resp. m.s. raw, locking bolt zinc die zinc plated

	Version A	Version B
screw-on m.s. zinc plated	1053-U1	1053-U2
weld-on m.s. raw	1053-U3	1053-U4



Customer can unassemble for welding on

Slam-lock m.s. raw, locking bolt zinc die zinc plated

	Version A	Version B
weld-on	1053-U5	1053-U6