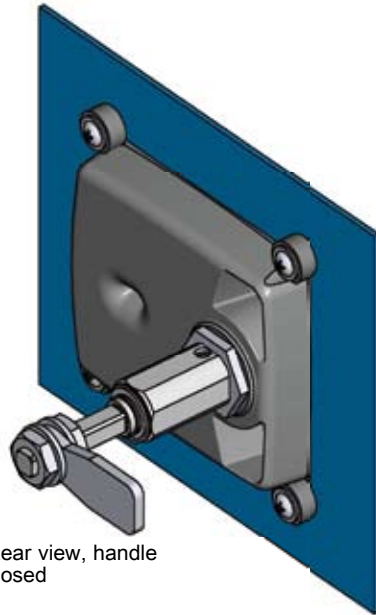
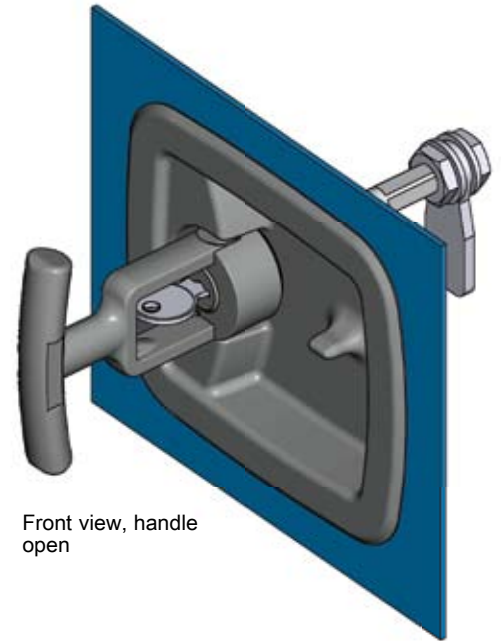


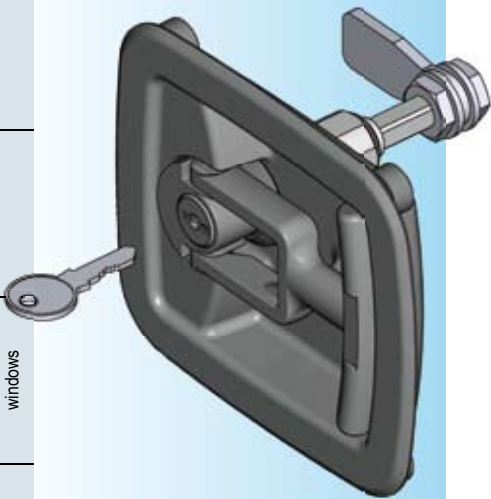
- Info
- 1 Quarter turns
- 2 Rod controls
- 3 Locking systems
- 4 Hinges
- 5 Gasketing
- 6 Handles
- 7 Aluminium windows
- 8 Stainless steel
- 9 Latches
- 10 Air-conditioning
- 11 ELM Security Systems
- 12 Miscellaneous



Rear view, handle closed

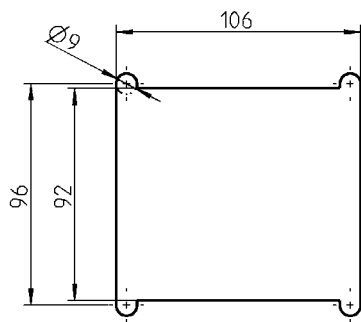


Front view, handle open

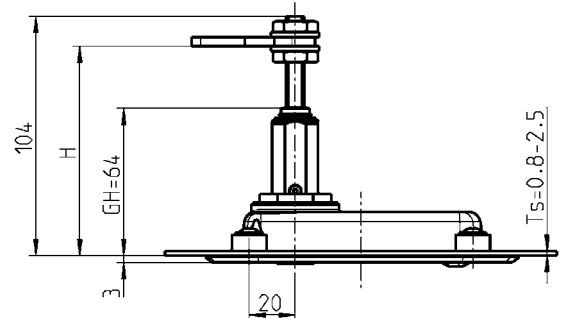
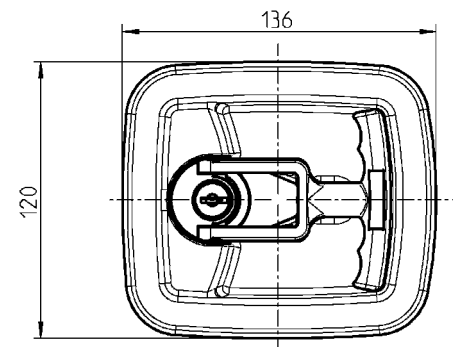


Note:

By pressing in the T-handle into the dish, a clamping effect is achieved.



Cut out



Further parts see page

- Cam (GH=64) 1C-137
- Spare key 12B-140

Recess T-Handle polyamide GF black, housing zinc die, fixing material m.s. zinc plated, with seal.

Each round cylinder has one key m.s. nickel plated.

keyed EK 333

1130-U10

keyed different

1130-U11