

Electronic Locking System

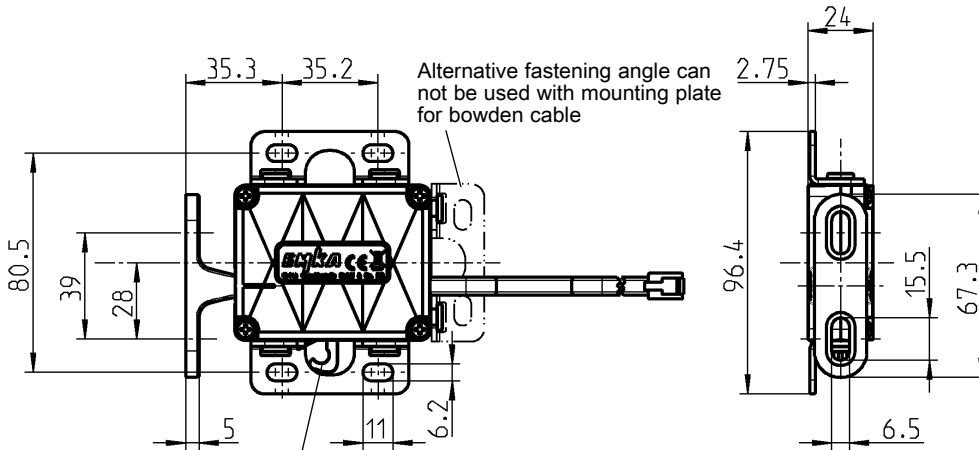
PROGRAM 3000

Beschlagteile

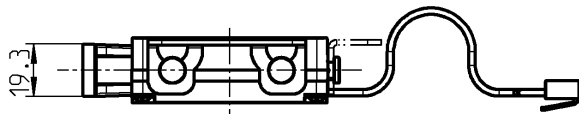
Single point latch with integrated status contact

The single-Point latch can be used for special fields of application.

The single-point latch is designed for the connection to the control modules 3000-U32-0X and 3000-U47-02 or 3000-U47-07.

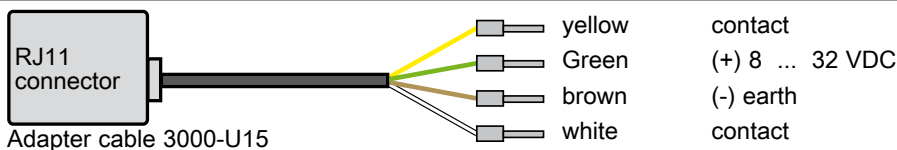


Lever for mechanic unlock, e.g. bowden cable



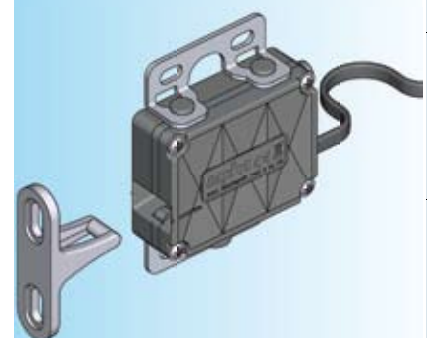
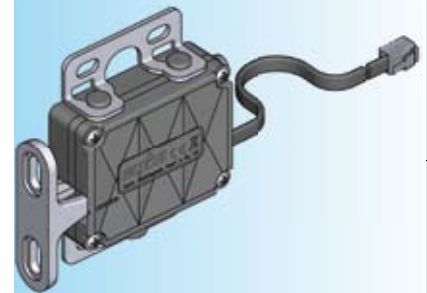
Connection notes

RJ11 plug front view	Pin number on plug	Signal	Colour
	2	Contact	black
	3	(-)	red
	4	(+)	Green
	5	contact	yellow



Single-point latch with integrated lock contact, housing polyamide 66+PA6i GF 40 V0 black; catch and pawl m.s. lubricant varnish coated; lock holder AISI 316; gear motor; electronics; cable with RJ11 connector 150 mm; fixing bracket m.s. zinc plated; screws m.s. zinc plated; with springs; with mounting and operating instructions
 Power supply: 9 ... 32 VDC, 300 mA with GSM modem
 Switching power contact: max. 30 VDC, min. 1 mA, max. 100 mA

Basic	3000-U300-01
Basic delayed re-lock; (with delayed re-lock)	3000-U300-02
Energy store; automatic unlock in case of power failure	3000-U300-03
Adapter cable 100 mm with RJ 11 connector and ...	
open cable Ends for modules type KIT	3000-U15
Plug for modules of type Box and 19" rack mount unit	3000-U15-01



On request:
 – Fitting panel for Bowden cable
 – Bowden cable