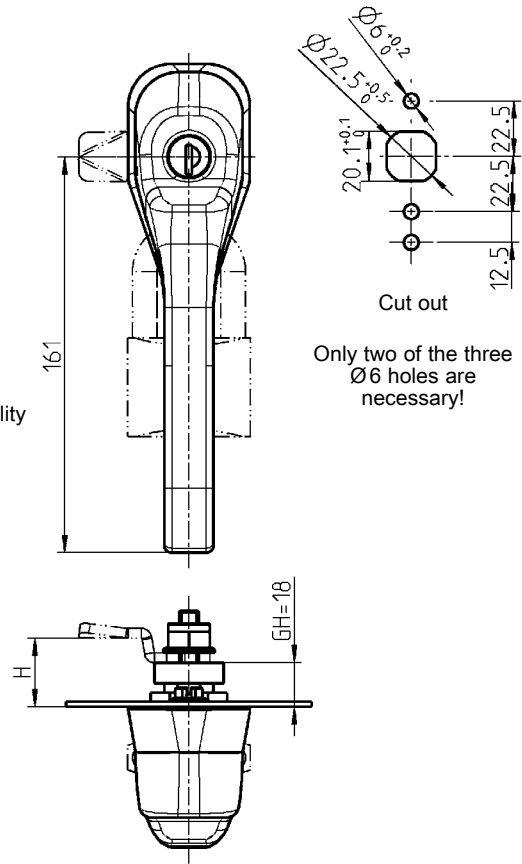
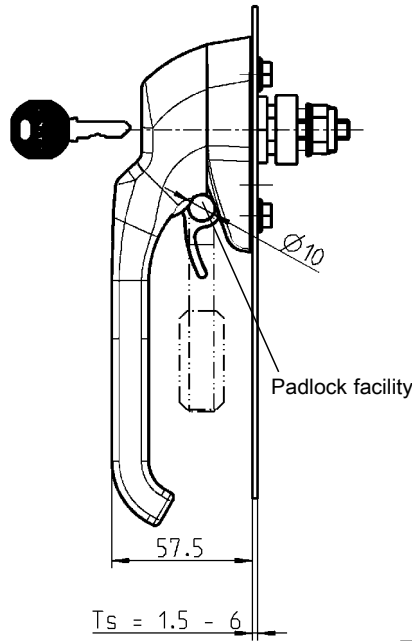
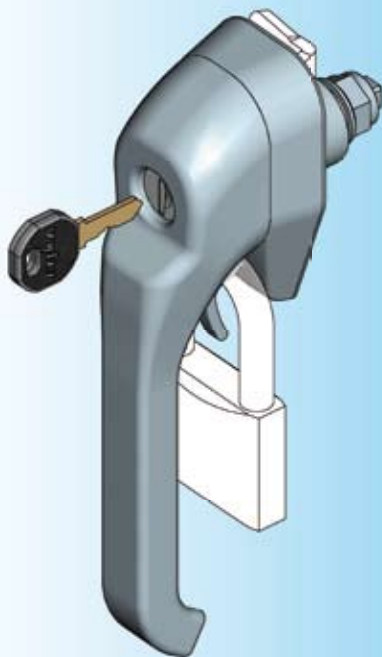


Heavy duty latch PROGRAM 1091

Beschlagteile



Handle zinc die black p.c., round cylinder with stainless steel cap and dust cap, insert and lever zinc die chrome plated, stop plate zinc die zinc plated, fixing material m.s. zinc plated. Each round cylinder has one silver steel key with polyamide grip GF black.

spring loaded

| | | | |
|----------------------|-----------|-------------------------------|-----------|
| without insert | 1091-U122 | Triangular 8 | 1091-U131 |
| keyed EK 333 | 1091-U123 | Double bit 3 | 1091-U132 |
| keyed different | 1091-U124 | Double bit 5 | 1091-U133 |
| Square 6 | 1091-U125 | Hexagon female 8 | 1091-U134 |
| Square 7 | 1091-U126 | Hexagon female 10 | 1091-U135 |
| Square 8 | 1091-U127 | Square female 8 | 1091-U136 |
| Square 8 slotted | 1091-U128 | Slot 2 x 4 | 1091-U137 |
| Triangular 6,5 CNOMO | 1091-U129 | Daimler Benz | 1091-U138 |
| Triangular 7 | 1091-U130 | Eastern Europe Ø13 half round | 1091-U139 |

without spring-load

| | | | |
|--------------|-----------|-----------------|-----------|
| keyed EK 333 | 1091-U140 | keyed different | 1091-U141 |
|--------------|-----------|-----------------|-----------|

Heavy duty latch AISI 316, round cylinder with stainless steel cap and dust cap zinc die chrome plated. Each cylinder has one silver steel key with polyamide GF grip black.

spring loaded

| | | | |
|----------------|--------------|-----------------|--------------|
| without insert | 1091-U142 | keyed different | 1091-U142-03 |
| keyed EK 333 | 1091-U142-02 | Slot 2 x 4 | 1091-U142-01 |

Further parts see page
 - Cam (GH = 18) up to 1C-120
 - Key up to 1C-160
 - Spare key 12B-120
 12B-140