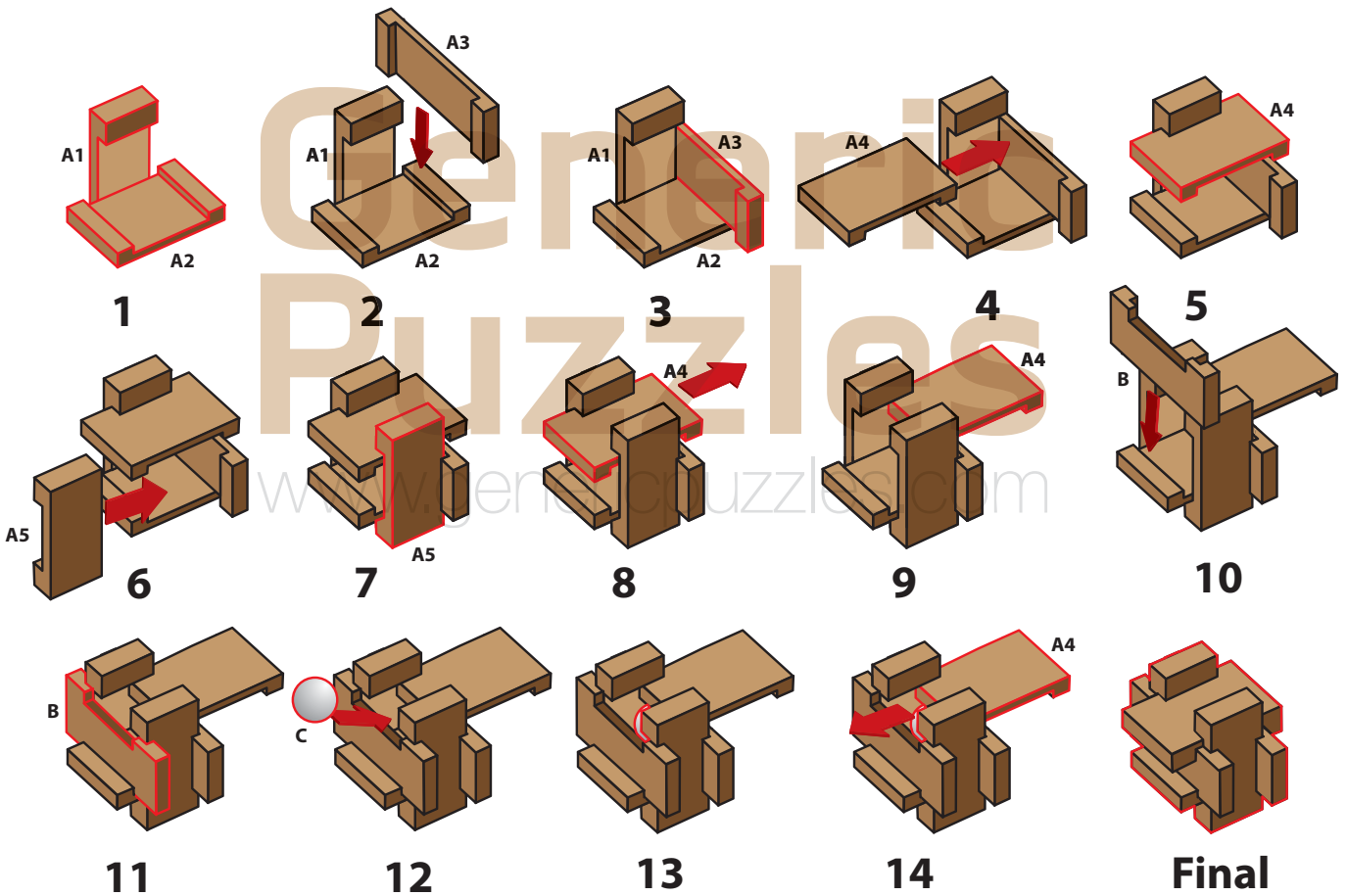
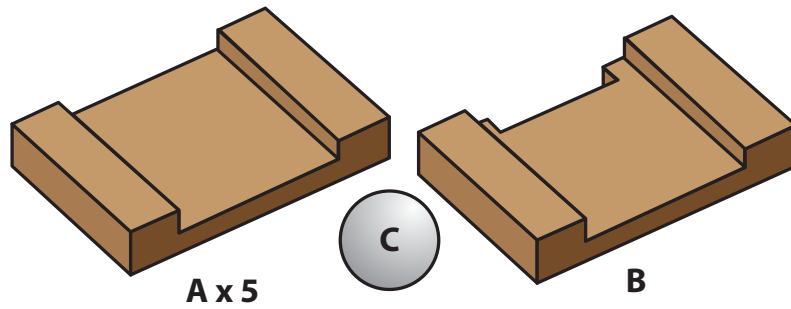


To Assemble

Components



To Remove

Components

