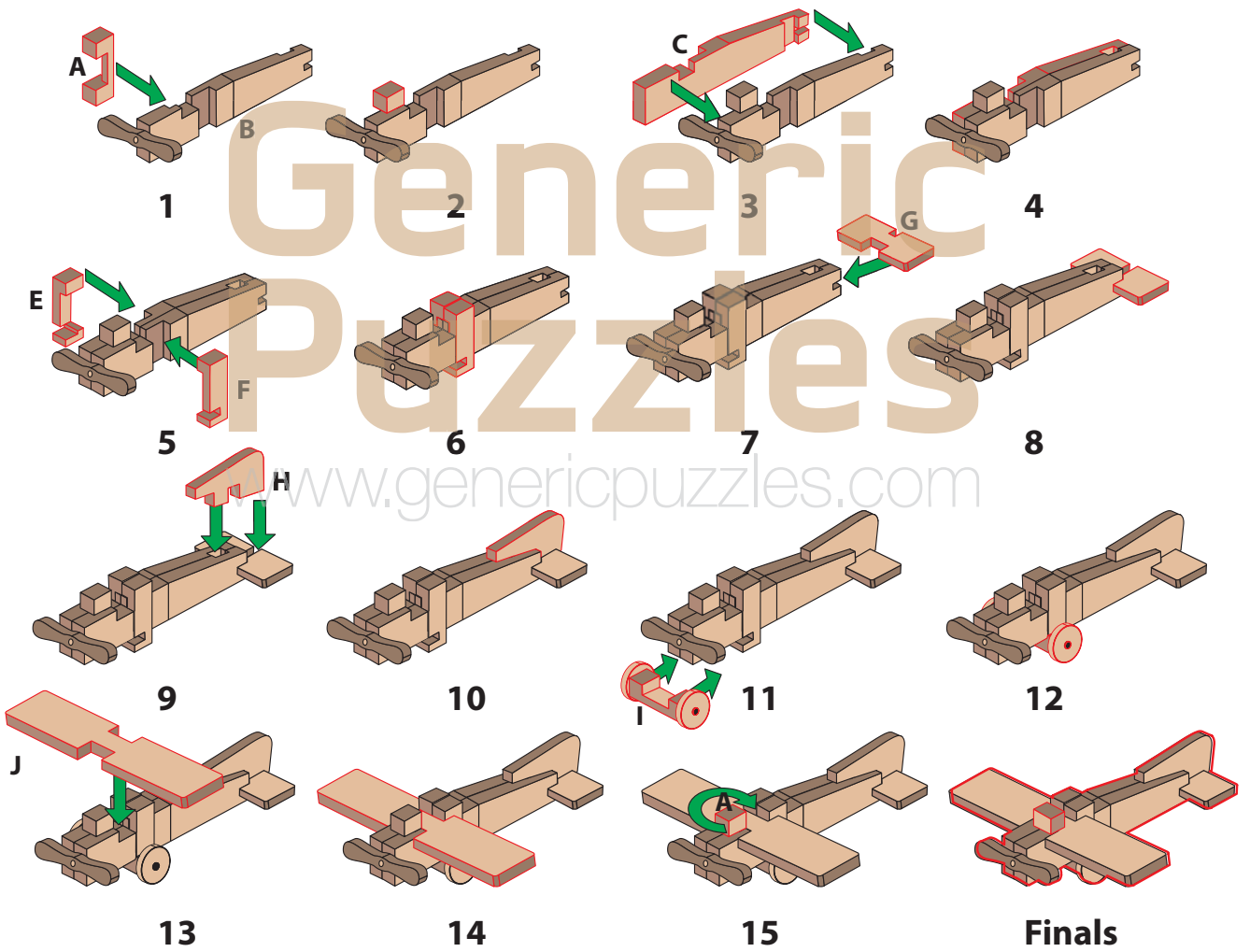
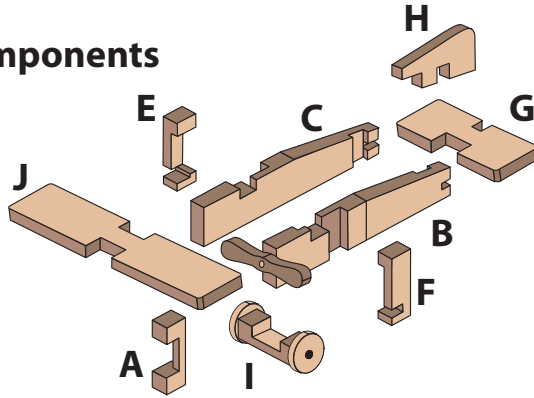


## To Assemble

### Components



## To Remove

