

## Auto-Fill Counter Top Range - with built-in filtration CPF Series

The **CPF2100**, traditionally our best-selling unit in the premium range is ideal for regular servings with the occasional rush.

The **CPF210** and **CPF310** are identical in outer appearance, with the CPF210 using a 3kW supply and the CPF310 6kW. Both models have high taps that are ideal for filling cafetieres, tall jugs or teapots.

The **CPF4100-3**, **CPF4100-6**, & **CPF6100-6** are designed for situations where large volumes are needed in a short period. All feature twin taps for speedy delivery and built-in 3 micron filtration with a programmable counter.

### Features and Benefits

- Integral 7 day programmable timer
- Built-in multi-purpose filtration
- Energy saving ECO mode
- Temperature programmable between 80°C - 98°C
- Two tier comprehensive diagnostics system
- Integral stainless steel drip tray included
- Programmable filter monitor from 2,000 — 19,500 litres

### Installation

Easy to install on a stable worktop.

### Plumbing

Designed for direct connection to a potable cold water supply using the 1.5 metre (3/4" BSP) hose supplied. An isolating valve should be installed between the supply and the heater. Rear supply connection and choice of rear or front overflow.

### Electrical

To be connected to 230 volt supply with a suitable break capacity of 13 amps or 30 amps. Fitted with 2 metres of cable supplied.

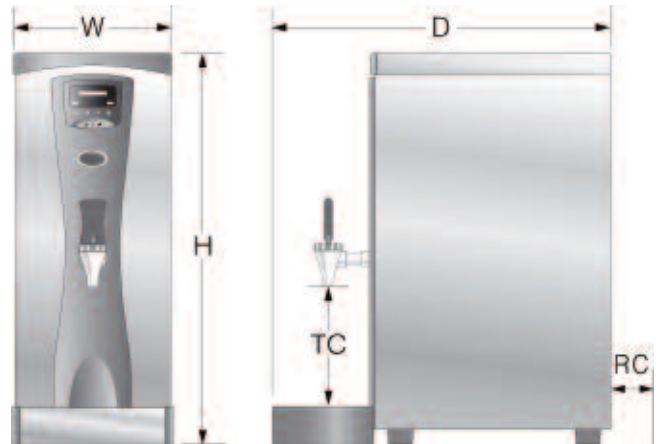
### Construction

Brushed stainless steel case.  
Stainless steel heating chamber.  
Low voltage switching.  
2 safety cut-outs.

### Technical Data

Model	Power Loading (kW)	Rapid Draw-Off		Hourly Output	
		(Litres)	(Cups)	(Litres)	(Cups)
CPF2100	3	10	60	28	168
CPF210	3	10	60	28	168
CPF310	6	11	66	57	342
CPF4100-3	3	17	102	28	168
CPF4100-6	6	19	114	57	342
CPF6100-6	6	27	162	57	342

Customer Service Tel: 01704 501114



**Dimensions**

Model	Height (mm)	Width (mm)	Depth (mm)	Tap Clearance to Drip Tray (mm)	Rear Connection Clearance (mm)
CPF2100	610	260	555	200	45
CPF210	705	260	555	300	45
CPF310	705	260	555	300	45
CPF4100-3	610	360	555	200	45
CPF4100-6	610	360	555	200	45
CPF6100-6	610	440	555	200	45

Technical Help & Advice: 01704 502911