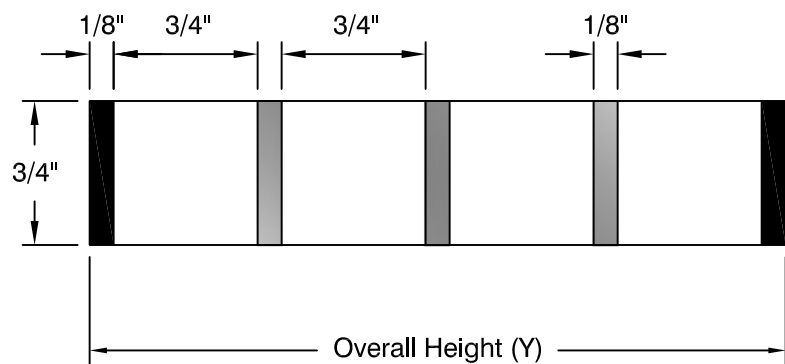
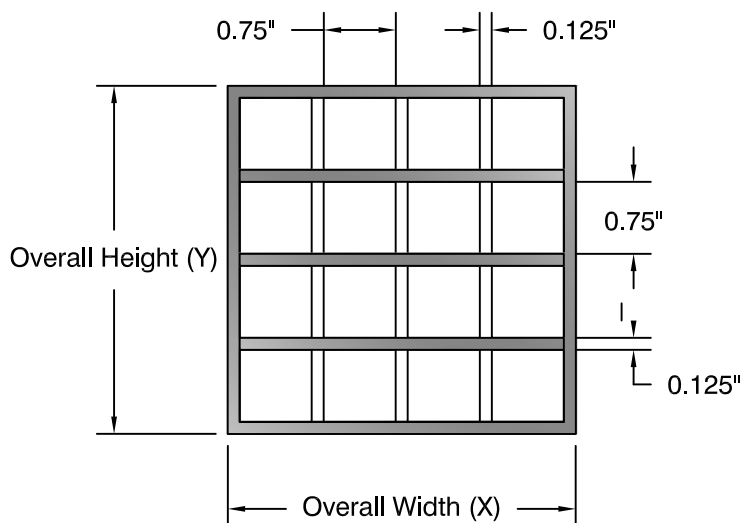


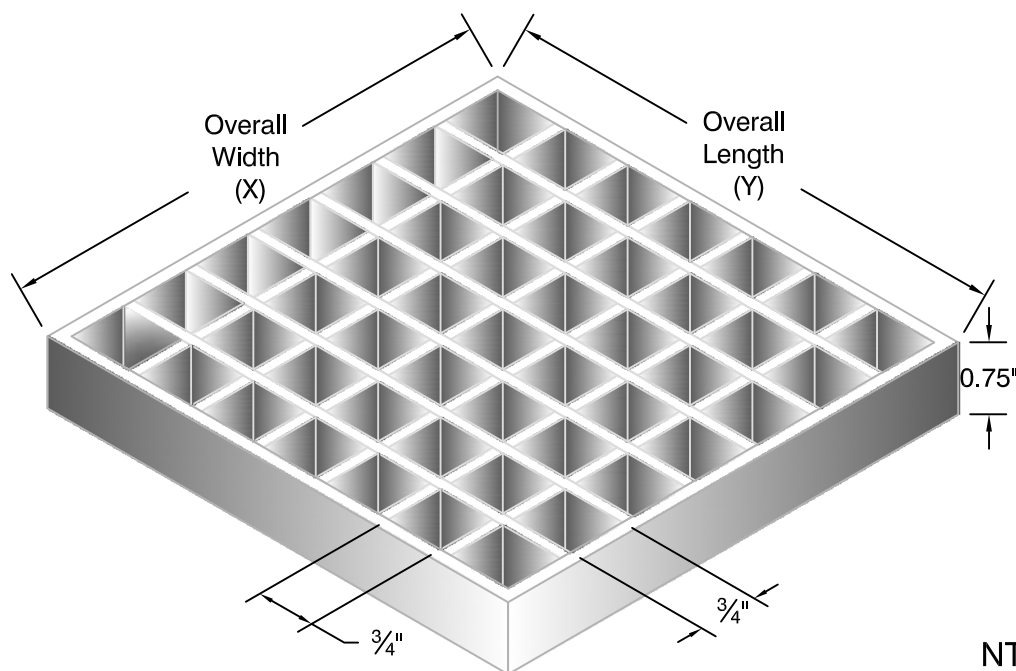
EC 300 EGG CRATE G FRAME



Scale 1:1



Scale 1:2



NTS

REQUIREMENTS

MATERIAL:

THICKNESS: 3/4" depth

FINISH:

MOUNTING: G FRAME

SIZES (Overall)

QTY	X	Y

DATE APROVED

-

JOB #

QUOTE #

NOTE:



ARCHITECTURAL GRILLE
 42 SECOND AVE
 BROOKLYN, NY 11215
 718-832-1200
 FAX: 718-832-1390

CUSTOMER:
