



audacity • voltage • shockwave

R I N G S I Z E R

To approximate your ring size, please print this document and take the following steps:

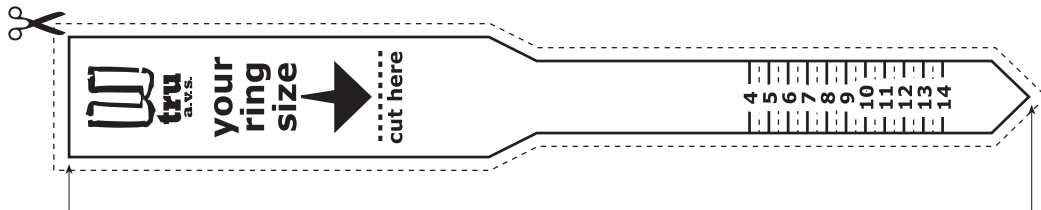
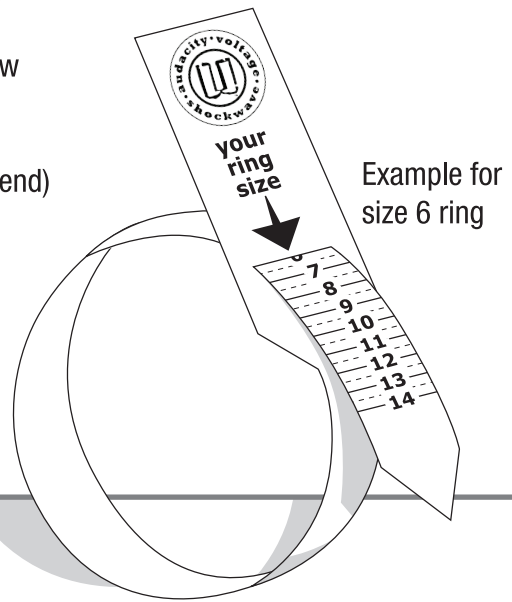
Using scissors, cut out the ring sizer along the dotted line

To create a slot, cut along the dotted line next to the arrow that is labeled “your ring size”

Forming a circle, insert the end of the ring sizer (pointed end) into the slot that was just cut

Place the ring sizer around the appropriate finger and wrap comfortably around your finger

The arrow will point to your approximate ring size



When printed at 100%, this length should measure 5 inches. Please use a ruler to be sure.

www.trudacity.com