

BRICK_4 Ford Generation 2 Upgrade Kit for vehicles with Sync and Sirius Satellite Radio

For 2009-2010 F150 with 3 or 6 button configuration

Requires:

1. Pre-programmed AL8T-18K931 navigation radio
Note – this upgrade kit uses the brick navigation (center stack navigation only available from factory).

Kit includes:

1. Right-hand steering wheel control (8A8Z-9C888-AA)
2. GPS antenna (8G1Z-10E893-B)
3. F150 radio bracket (XANAVIF150Bracket)
4. Amplifier harness (4S7T-14489-YRA-3)
5. Amplifier (9L1T-18T806-A)
6. Procedure 1 harness (XP1HARNESSES_ESC)
7. Procedure 2 harness (XP2HARNESSES)
8. 2 harness pins

Sold separately:

1. Bezel
 - a. 3 Button Configuration
 - i. Black (95-5820)
 - b. 6 Button Configuration
 - i. Black (95-5822B)
 - ii. Platinum (99-5822AS)
 - iii. King Ranch (99-5822CM)
 - iv. Lariat (99-5822MM)

Dealer will need to perform the following modifications:

For detailed installation instructions see attached Procedures

1. Swap the bracket on the navigation radio with the XanaviF150Bracket (unless done at United Radio, Inc.).
2. Securely mount GPS antenna underneath the center of the dashboard (as far forward as possible) toward the windshield with the metal side down/plastic side up. Locate a spot away from other modules and make sure there is no metal above the GPS antenna.
3. Replace right-hand steering wheel with factory steering wheel control for vehicles with Sync and Navigation from factory (8A8Z-9C888-AA) (see Procedure 1).
4. Only perform the procedure below if Sync cannot hear your voice (see Procedure 2):
 - a. Plug provided XP2HARNESSES into radio and vehicle harness.
 - b. Run and pin red & blue wire into sync module (blue to 13 & red to 12).
5. If vehicle has Sony Sound and you cannot hear the navigation voice prompts see Procedure 3.

Notes:

1. If customer has backup camera running to rear-view mirror, installing the navigation radio will NOT automatically re-route the video to the navigation radio. A physical re-wire modification will need to take place, but United Radio cannot advise on the procedure. If the dealership chooses to do this modification or add a backup camera, they MUST advise United Radio to program the radio to accept Backup Camera Video (Camera On). If needed, a rear camera radio input plug is available from United Radio to assist in the wiring modifications or addition of a backup camera (FRD09-BC1).
2. United radio will give credit for these items from the dealer:
 - a. Radio in vehicle:
 - i. \$25 for AM/FM radio
 - ii. \$50 for non-sat-ready CD ACM
 - iii. \$75 for a sat-ready CD ACM
 - iv. \$100 for a non-sat-ready CD6 ACM
 - v. \$125 for a sat-ready CD6 ACM

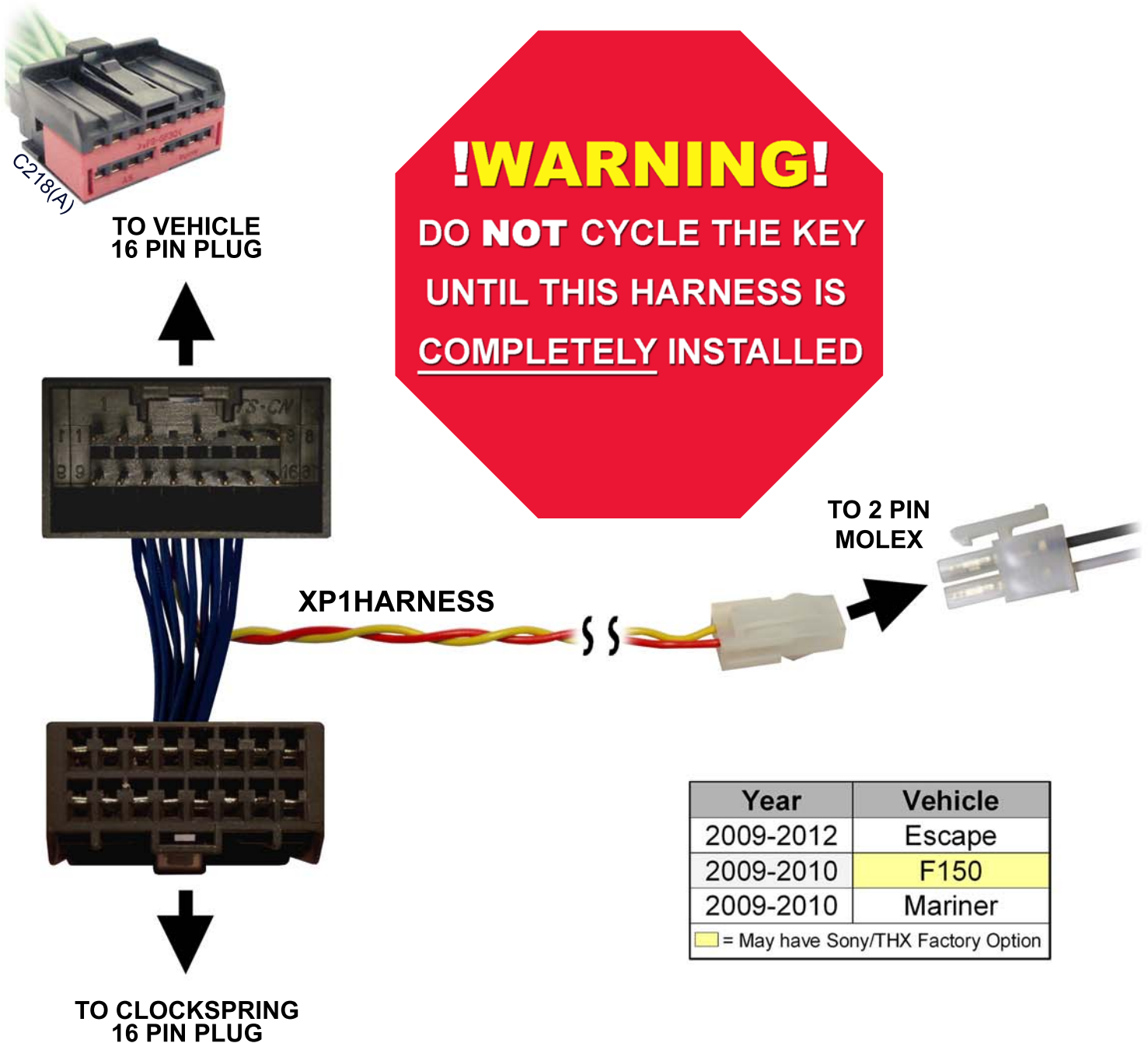
Procedure #1

SWC Wiring Instructions

- 1.) Plug XP1HARNESS_ESC into clockspring and connector C218(A) (at steering column).
- 2.) Follow one of the steps below:
 - a) If vehicle does not have Sony or THX sound, avoiding any interference with moving parts, run the 2 pin Molex from the XP1HARNESS_ESC to the 2 pin Molex on the 4S7T-14489-YRA-3 (amplifier harness).

OR

- b) If vehicle has Sony or THX sound, avoiding any interference with moving parts, run the 2 pin Molex from the XP1HARNESS_ESC to the radio and then cut the 2 pin Molex off and connect the yellow wire to pin 16 and the red wire to pin 17 on the 24 pin radio connector C240A.

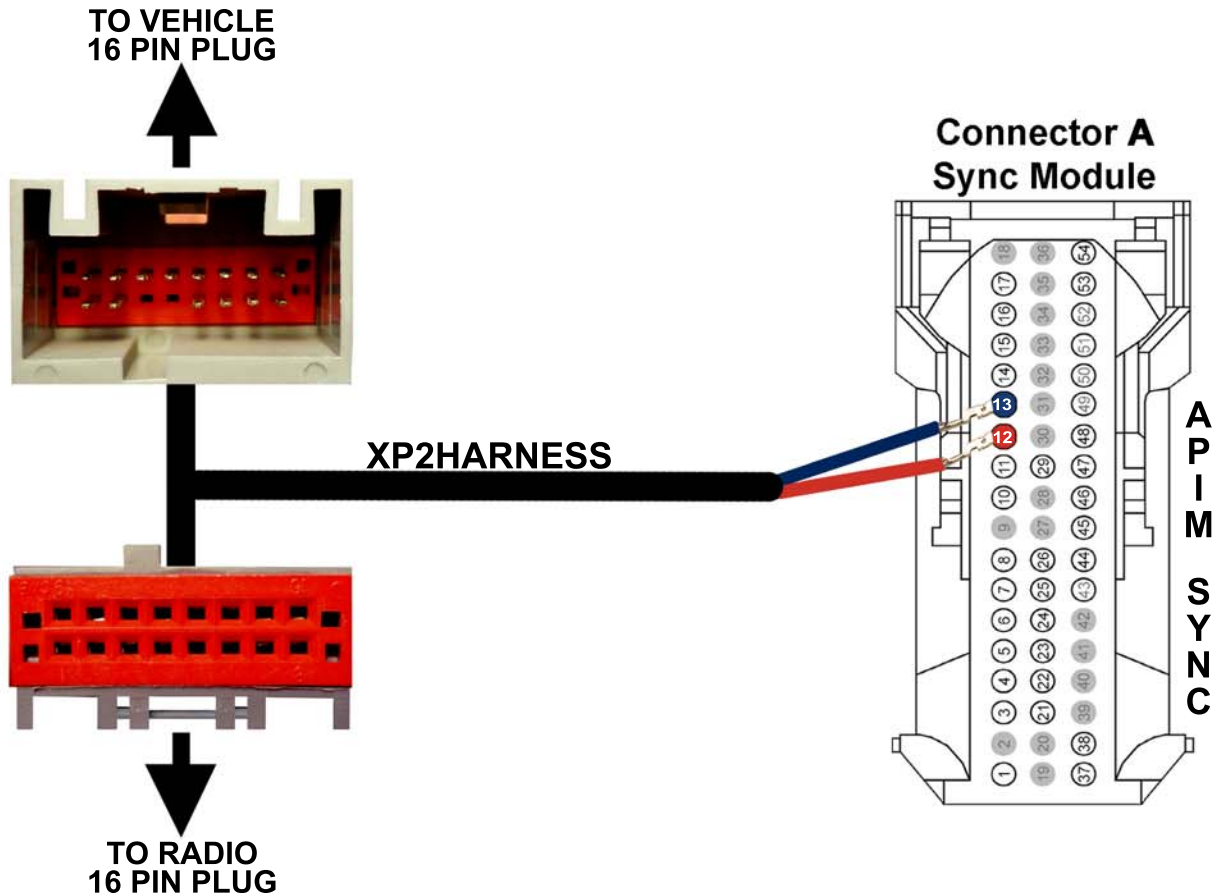


Procedure #2

Microphone Wiring Instructions

Only perform this procedure if Sync *cannot* hear your voice

- 1.) Plug XP2HARNESS into radio and vehicle harness
- 2.) Run and pin red & blue wire into sync module (blue to 13 & red to 12)



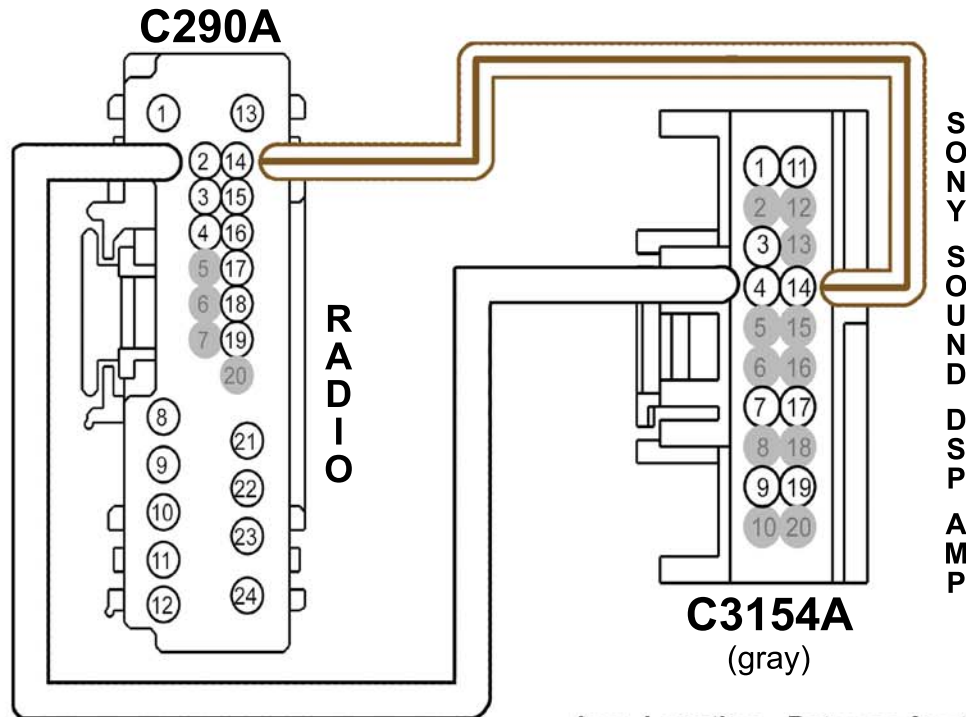
Year	Vehicle	Connector A Location	Connector A Sync Module
2009-11	Econoline	In dash below radio	C2383
2009-10	Edge	Rear of center console	C3342
2009-11	Escape	Center console	C3338
2009-11	Expedition	Bottom of center console	C3342
2009-10	Explorer	Center console	C3342
2009-11	F150	Top center of dash	C2383
2009-11	F250	Above passenger kick	C2298
2009-11	Flex	Middle of center console	C3342
2009-11	Fusion	Rear of center console	C3338
2009-11	Mariner	Center console	C3338
2009-11	Milan	Rear of center console	C3338
2009-11	MKS	Rear of center console	C3342
2009-11	MKT	Center console	C3342
2009-10	MKX	Rear of center console	C3342
2009-11	MKZ	Rear of center console	C3338
2009-10	Mountaineer	Center console	C3342
2009-10	Mustang	Behind radio	C2383
2009-11	Navigator	Bottom of center console	C3342
2008-10	Sable	Rear of center console	C3342
2009-10	Sport Trac	Center console	C3342
2008-11	Taurus/TaurusX	Rear of center console	C3342

Procedure #3

Navigation Voice Prompt Wiring Instructions for 2009-11 F150

Only perform this procedure if vehicle has Sony Sound and you *cannot* hear navigation voice prompts

- *Connect pin 2 from connector C290A to pin 4 on connector C3154A
- *Connect pin 14 from C290A to pin 14 on connector C3154A



Amp Location - Between front seats mounted on transmission hump under console.

Notes: If the DSP already has wires in 4 & 14, cut and extend those wires from the amp to the radio. Insulate both remaining wire ends.

If the vehicle has Sony Sound you do NOT use a separate amplifier