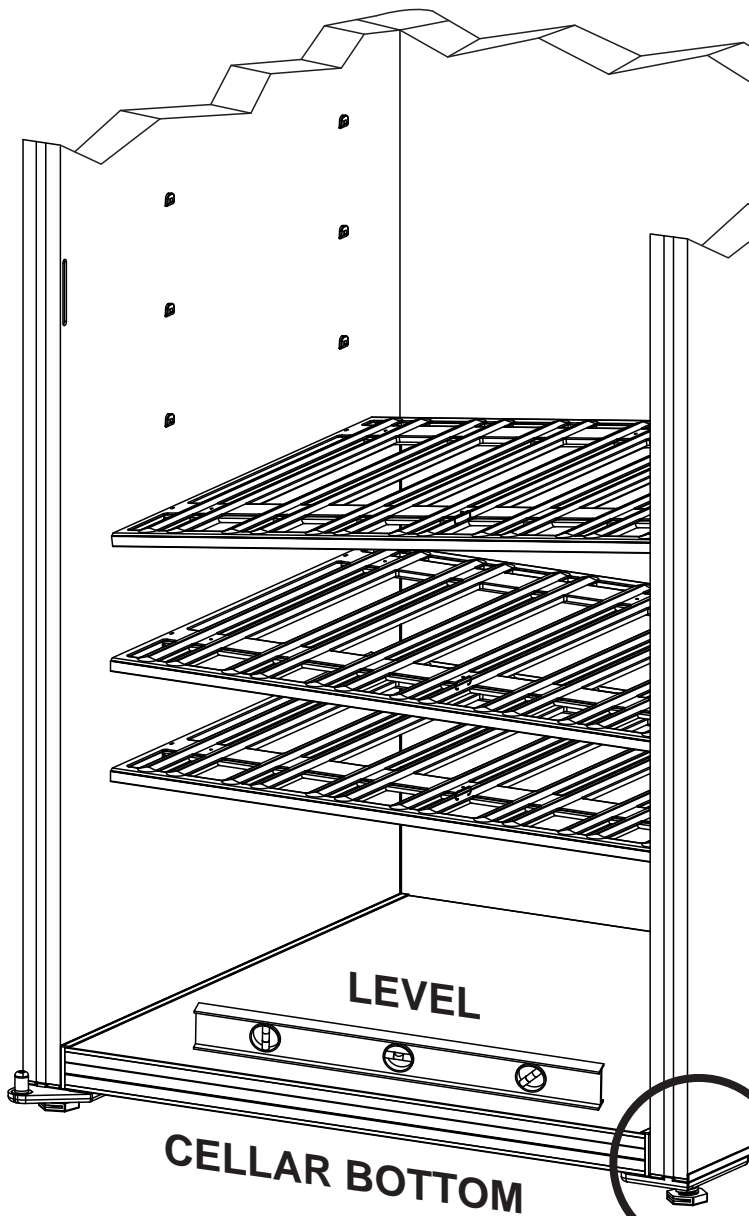
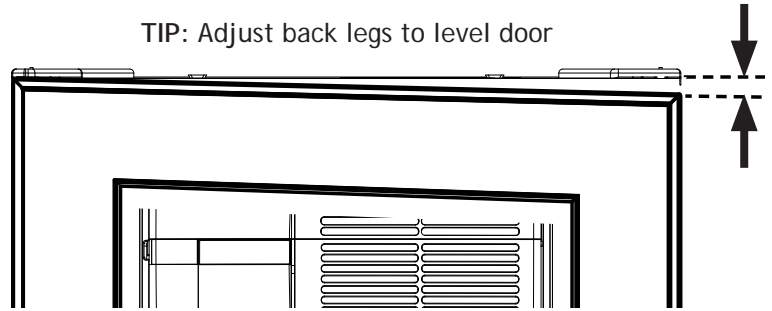


LEVEL

TIP: Adjust back legs to level door



Position cabinet to final placement location and level legs

