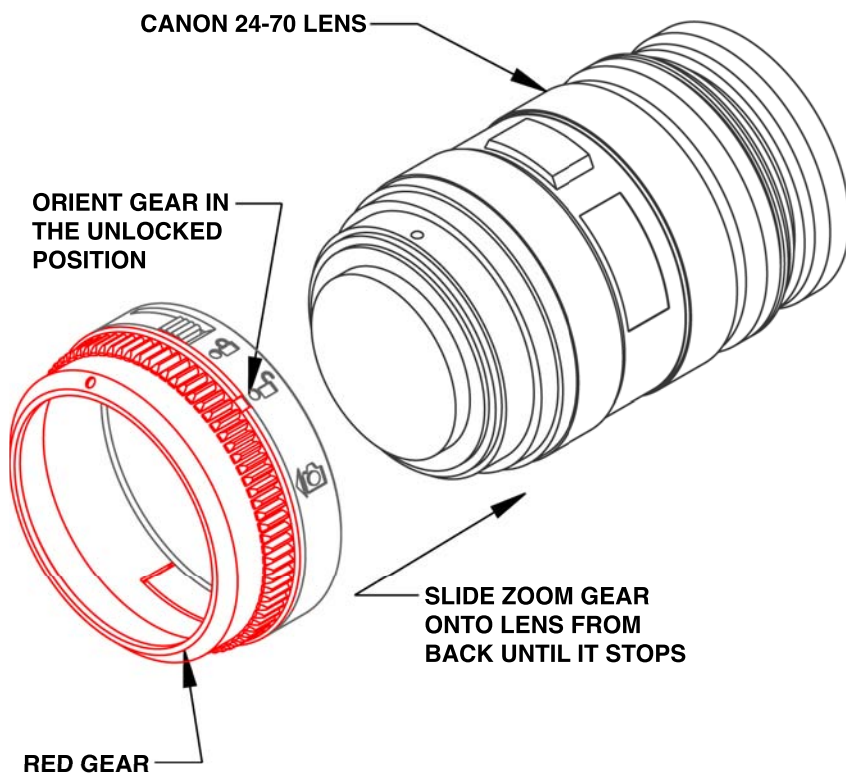


CANON ZOOM LENS EF 24-70mm f/2.8L USM

ZOOM GEAR ASSEMBLY INSTRUCTIONS



Thank you for purchasing Xit 404's Canon 24-70mm Zoom Gear. On the back is our warranty information to help you prolong the life of this product.

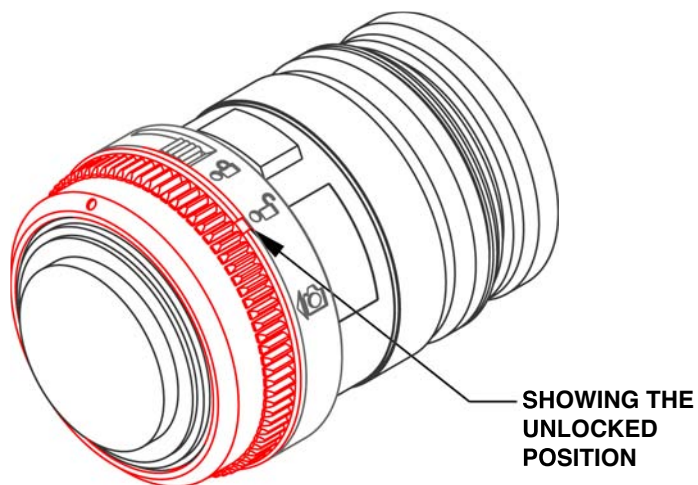
Assembling the Zoom Gear

Look at the drawing to the left and note which end of the lens the Zoom Gear slides onto. Then follow the instructions below. Please note that the red gear and the gray ring do not come apart.

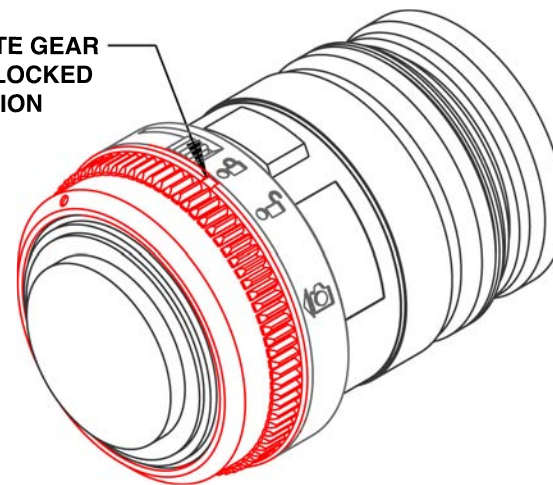
1. Be sure the white dot on the red Gear is lined up with the unpainted dot on the gray ring. (Note: the unlocked icon)
2. Then slide the Zoom Gear onto your lens from the back until it stops.
3. While holding the gray ring with one hand, and pressing the latch with your thumb, twist the red Gear until the white dots line up. (Note: the locked icon). The Gear is now locked onto the lens.

Disassembling the Zoom Gear

1. Remove the Gear by pressing and holding the latch on the gray ring and twisting the red Gear until the white dot on the Gear is lined up with the unpainted gray dot on the gray ring. (Note: the unlocked icon).
2. Pull the Zoom Gear off the lens from the back.



ROTATE GEAR INTO LOCKED POSITION



CANON ZOOM LENS EF 24-70mm 1:2.8 L USM

WARRANTY INFORMATION

FDM parts - a brief description

Xit 404 manufactures a number of its parts using a process called Fused Deposition Modeling (FDM) This process involves extruding a thread of plastic and laying it down in thin layers to build a part. This enables us to supply you products that enhance your underwater photography and videography.

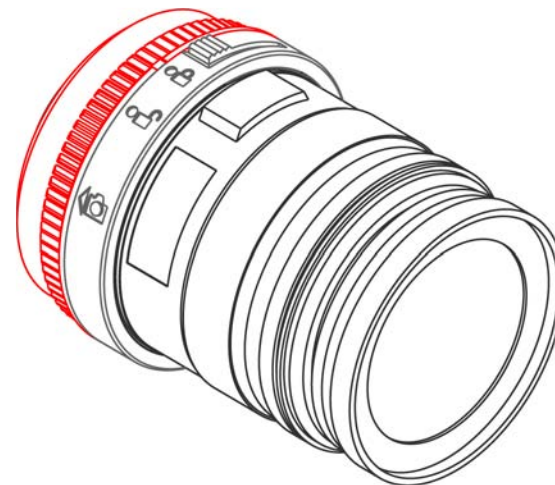
Care and Maintenance

The FDM part is impact resistant and will withstand most drops from table height. However, as with all plastic parts, they cannot withstand excessive pressure and force without breaking. Being careful means handling the product during assembly with a light touch, do not force.

If your part gets wet let it drip-dry for about an hour. If you have to pack it before it is dry then wrap it in something absorbent such as a paper towel, tee shirt or sock and put it into a plastic bag. This will keep your other parts from getting dripped on.

FDM Plastic Part Warranty

FDM parts are guaranteed to be free of manufacturing defects for a period of one year from date of purchase. Unnecessary force can cause excessive wear and possibly break the parts voiding warranty. Damaged or broken parts will be inspected. If Xit 404 determines that the parts were misused or abused, warranty will be void. Valid purchase receipt is required for all warranty claims.



Canon 24-70 Product Line

ZOOM GEARS

Aquatica Canon 24-70mm Gear
Aquatica Type 4 Canon 24-70mm Gear
Nauticam Canon 24-70mm Gear
Sea & Sea Canon 24-70mm Gear
Subal Type 4 Canon 24-70mm Gear

PRODUCT CODE

GC1221AQ
GC1222AQ
GC1223NC
GC1224SS
GC1225SU