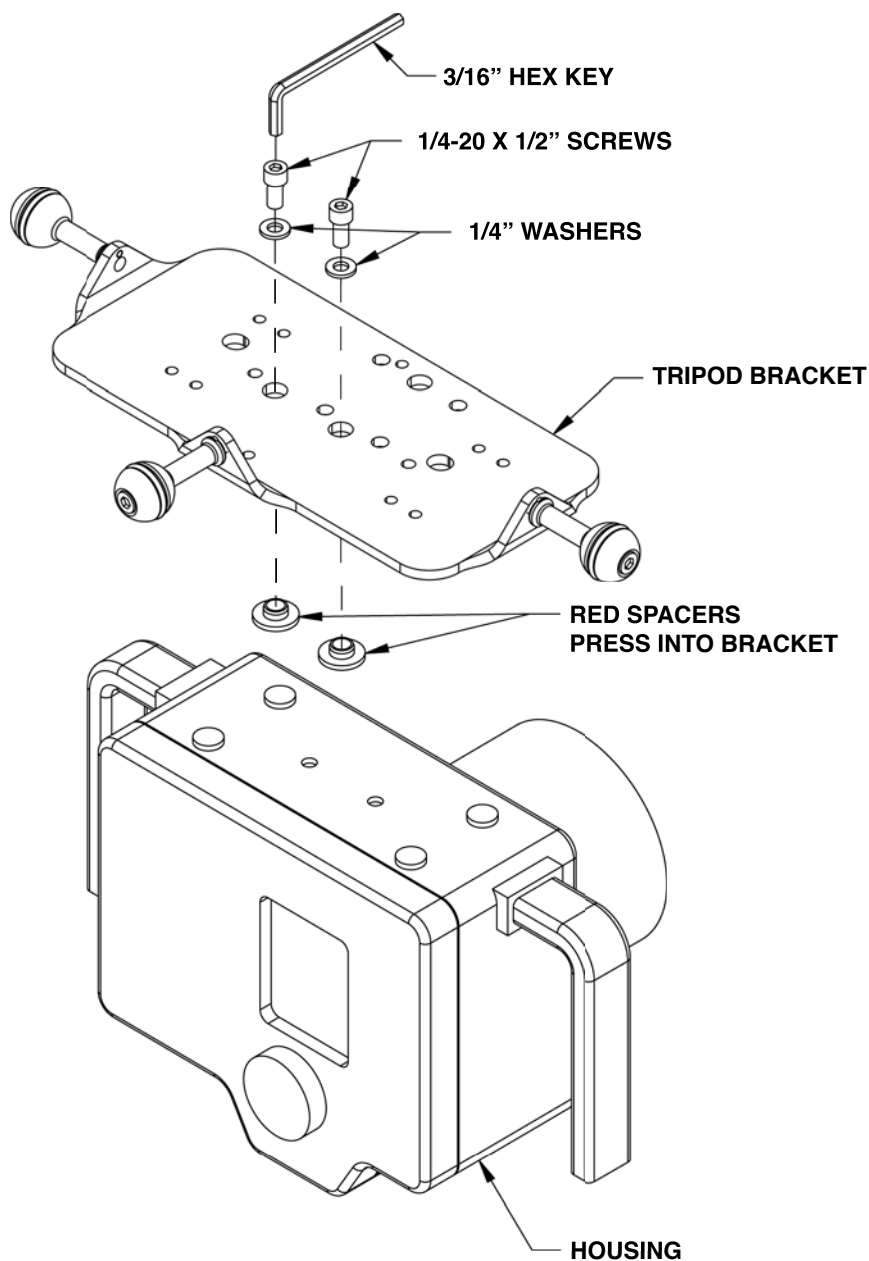


AQUATICA 7D TRIPOD BRACKET MOUNTING INSTRUCTIONS



Thank you for purchasing Xit 404's Tripod Bracket. Below are mounting instructions. On the back is our warranty and information to help you prolong the life of your tripod bracket.

Tripod Bracket Mounting Instructions

1. Assemble all the parts you will need on a flat surface: your housing, the hardware mounting kit (supplied), Tripod Bracket, corrosion inhibitor such as Lanapro or Lanacote (not included), and drawings.
2. Identify the correct mounting holes to use on the tripod bracket.
3. Press the Red Spacers into the tripod light bracket per the drawing.
4. Place your housing upside down on a table.
5. Orient the Tripod Bracket so there is one Ball Adaptor on each side, and one towards the back of the housing.
6. Align the correct mounting holes on the tripod bracket with the holes on your housing.
7. Thread the screw(s) provided, using corrosion inhibitor on the screw threads, through the tripod light bracket into your housing. Tighten screws with hex key provided.

IMPORTANT: You need to use corrosion inhibitor (such as Lanapro or Lanacote) on the screw threads. Be sure to disassemble the tripod bracket from the housing after each diving trip and clean it of any salt buildup or corrosion.

Xit 404'S TRIPOD BRACKET MAINTENANCE AND WARRANTY

Maintenance Instructions for all Xit 404 Tripod Brackets:

Proper maintenance of the Tripod Bracket and its parts will ensure a long life and is required for warranty coverage. This includes rinsing in fresh water after each dive, removing any salt build-up when found, disassembling the tripod light bracket from the camera housing after each dive trip and cleaning in fresh water. Use a salt remover as needed to clean any deposits.

The Ball Adaptors have been locked to the tripod light bracket using Red Locktite and should not be removed. However regularly inspect to ensure they are tight. If they become loose then remove, clean and reapply Red Locktite (or a similar thread lock compound). Check the O-Ring for wear or cracking and replace as needed.

We recommend liberal use of a corrosion inhibitor (such as Lanapro, available from Xit 404) be applied to screw threads. Failure to use a corrosion inhibitor may damage your camera housing.

Warranty Policy for all Tripod Brackets:

Tripod Brackets are warranted against manufacturer defects for 1 year starting from date of purchase. The warranty is non-transferrable and does not cover failures from abuse or misuse. Warranty does not apply to O-rings and mounting hardware kits. If Xit 404 determines that the equipment was damaged due to abuse or misuse the warranty is no longer valid. Warranty is voided if the product is not properly maintained in accordance with Xit 404 instructions. Proof of purchase from an authorized dealer is required for all warranty claims.

A special note about corrosion

Aluminum, Stainless Steel, Brass, and other metals interact with each other to a greater or lesser degree in the presence of water. Liberal use of a corrosion inhibitor between these metals will help minimize corrosion. Xit 404 also coats its metal parts to help minimize corrosion - this just slows it down but does not stop it. Direct contact between these metals will cause corrosion and Xit 404 does not warrant against this effect. This can happen due to wear, chipped coatings, scratches, or dents in the coatings caused from normal use and/or lack of a corrosion inhibitor. Through proper care and maintenance you can slow corrosion significantly and prolong your underwater gear.

All Replacement Kits:

Product Description

Aquatica 5D/5D2/5D3 Mounting Kit
Aquatica 7D Mounting Kit
Ikelite Mounting Kit
Nauticam Mounting Kit (7D/D7000)
Nauticam 2 Mounting Kit (5DMK3/D800)
Nauticam 3 Mounting Kit (1DX/D600/D7100)
Sea & Sea Mounting Kit
Subal Mounting Kit
Ball Adaptor 1.6" Lock Kit
Ball Adaptor O-ring Kit
Lanopro Corrosion Inhibitor Grease 1/4oz.

Product Codes

TS3001AQ
TS3002AQ
TS3003IK
TS3004NC
TS3005NC
TS3006NC
TS3007SS
TS3008SU
MB000200
MR000100
SG000100

If you wish to purchase replacement kits or have any questions about your Tripod Bracket, please contact your local Xit 404 Dealer.

