

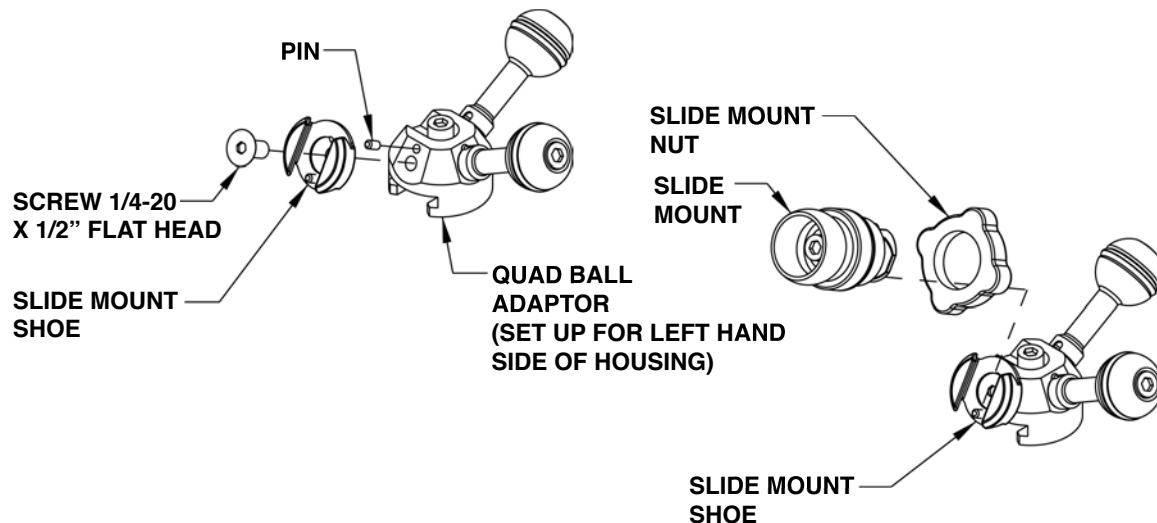
XIT 404's Quick Slide Mount Kit

INSTALLATION INSTRUCTIONS

Thank you for purchasing Xit 404's Quick Slide Mount Kit. Below are instructions to help you prolong the life of your product. Maintenance and Warranty are below.

Instruction for assembling a Quick Slide Mount Kit

1. If you are mounting to an Xit 404 Quad Ball Adaptor insert an anti-rotate pin first.
2. Apply corrosion inhibitor to the 1/4-20 x 1/2" flat head screw and attach the Slide Mount Shoe to the Quad Ball Adaptor (or into any 1/4-20 threaded hole)
3. Be sure to align the anti-rotate pin with the hole on the Slide Mount Shoe if you are mounting onto a Quad Ball Adaptor.
4. The Slide Mount "slides" into the Shoe and then by tightening the nut the Slide Mount is secured.



MAINTENANCE AND WARRANTY

Maintenance Instructions for Xit 404's Slide Mount:

Proper maintenance of the Slide Mount and its parts will ensure a long life and is required for warranty coverage. This includes rinsing in fresh water after each dive, removing any salt build-up when found. Use a salt remover as needed to clean any deposits.

Warranty Policy for Slide Mounts:

Slide Mounts are warranted against manufacturer defects for 1 year starting from date of purchase. The warranty is non-transferrable and does not cover failures from abuse or misuse. Warranty does not apply to O-rings and mounting hardware kits. If Xit 404 determines that the equipment was damaged due to abuse or misuse the warranty is no longer valid. Warranty is voided if the product is not properly maintained in accordance with Xit 404 instructions. Proof of purchase from an authorized dealer is required for all warranty claims.

A special note about corrosion

Aluminum, Stainless Steel, Brass, and other metals interact with each other to a greater or lesser degree in the presence of water. Liberal use of a corrosion inhibitor (like Lanopro) between these metals will help minimize corrosion. Xit 404 also coats its metal parts to help minimize corrosion - this just slows it down but does not stop it. Direct contact between these metals will cause corrosion and Xit 404 does not warrant against this effect. This can happen due to wear, chipped coatings, scratches, or dents in the coatings caused from normal use and/or lack of a corrosion inhibitor. Through proper care and maintenance you can slow corrosion significantly and prolong your underwater gear.