

RED ORANGE YELLOW GREEN BLUE BLACK PINK PURPLE



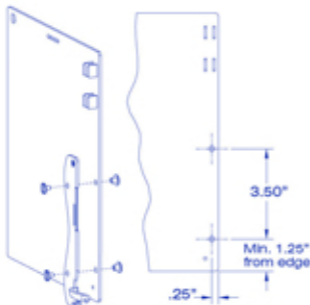
## The Perfect Solution for Writing Underwater!

### Thick Slates

Trace the two holes onto your slate. Be sure to maintain the distances as shown on sketch. Drill two 7/32" diameter holes as shown. Attach with the two binding posts supplied.

### Reef Research Slates

(See Picture Below)  
Trace the two holes onto your slate. Be sure to maintain a distance of 1/4" from the edge. Remove the wing nuts and pull off the back frame. Drill two 7/32" diameter holes through both boards. Take apart the rest of the slate. Drill out the new holes on the center board only, using a 5/16" drill. Attach with the two binding posts and screws supplied.



### Thin Slates

Trace the two holes onto your slate. Be sure to maintain a distance of 1/4" from the edge. Use a hole punch to cut out the traced holes. Attach with the two binding posts supplied.

