
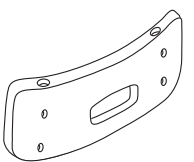

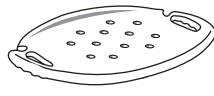

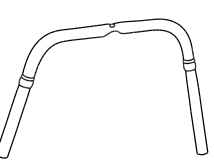



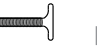
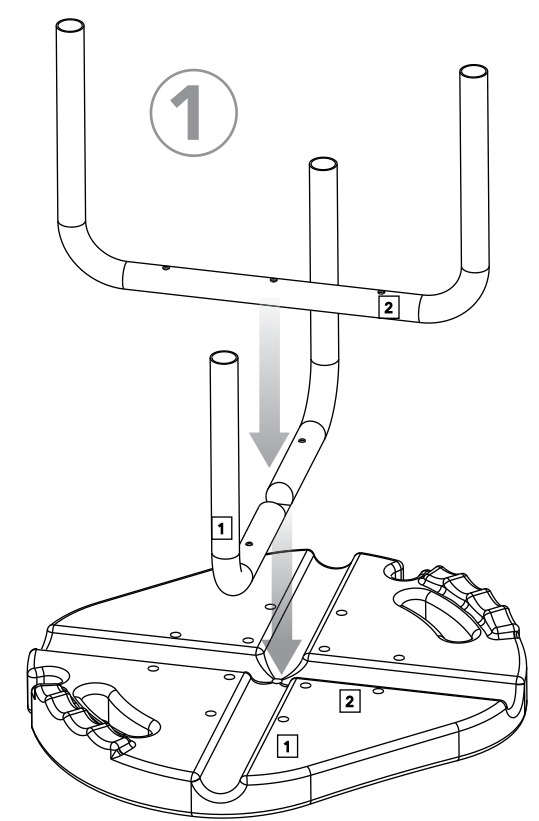


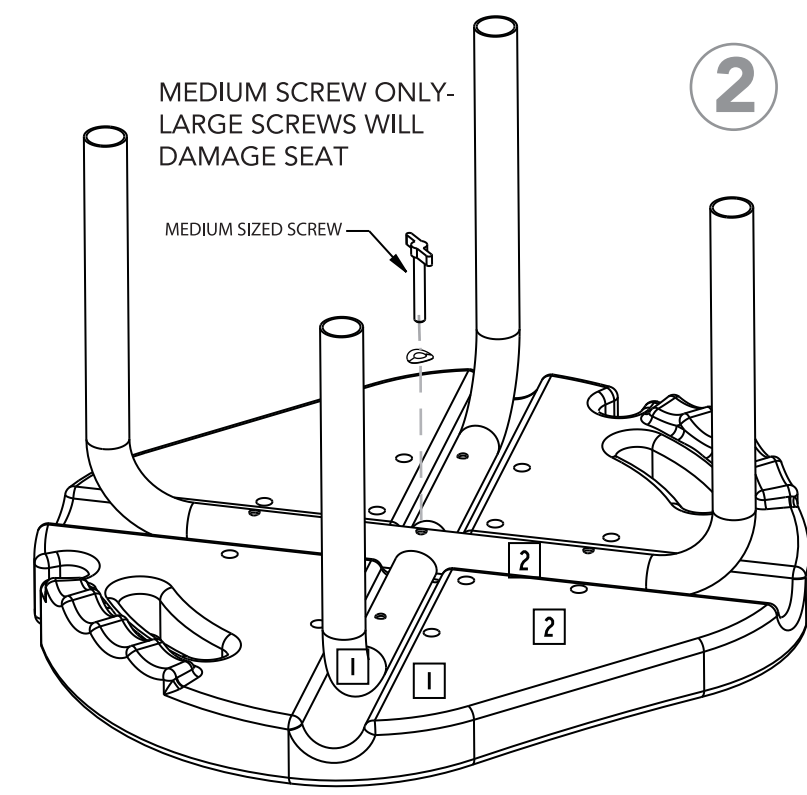
B65877

Installation 

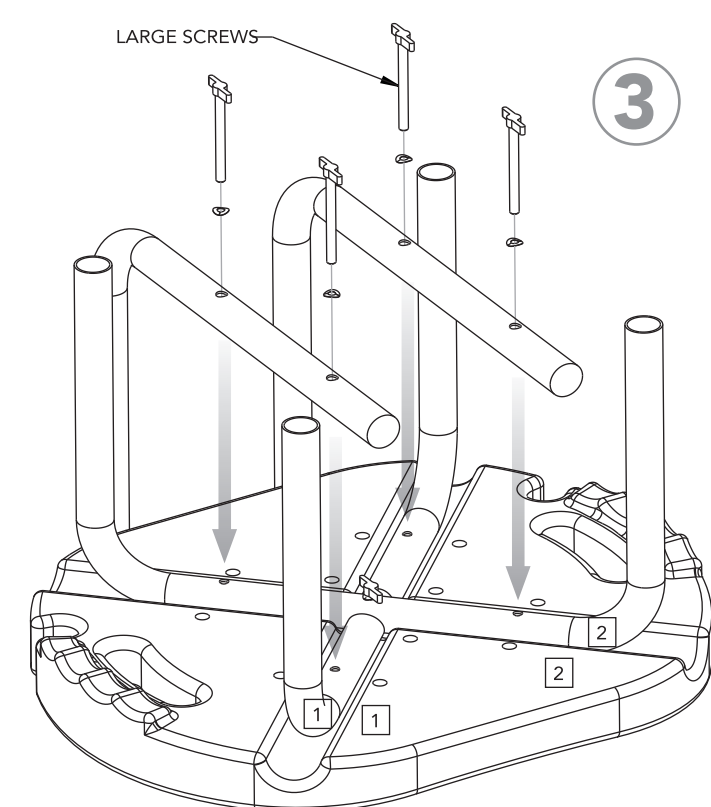
 Seat Back x 1	 Leg Extensions x 4
 Seat x 1	 L Bars x 2
 U Bar x 2 Labeled "1" and "2"	 Washers x 7
	 Short Screws x 2
	 Medium Screw x 1
	 Long Screws x 4



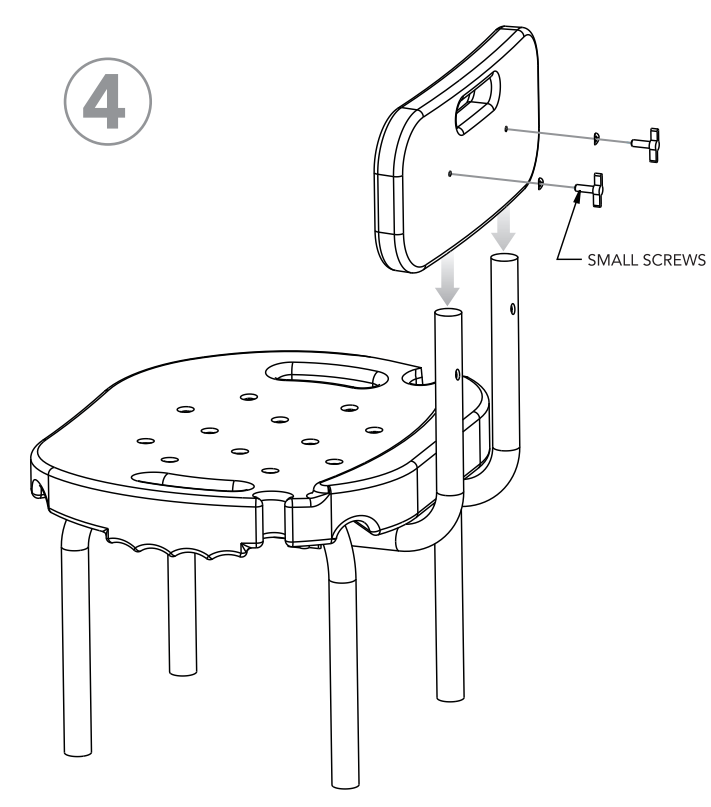
Place Seat face down on a table or counter with the seat lip near the edge of the table.
Place U Bar labeled "1" on the groove in the seat so the "1" on the bar is next to the "1" on the seat.
Place the U Bar labeled "2" on the seat so the "2" on the bar is next to the "2" on the seat.



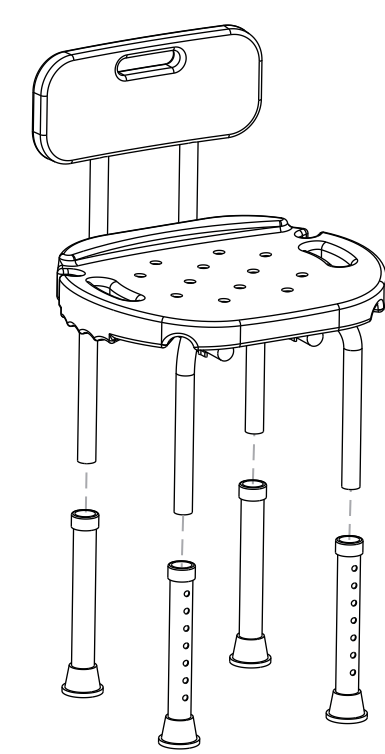
Find the 1 Medium Sized Screw - Warning - medium screw must be used for the next step or damage to the seat will occur.
Place medium screw with washer into center hole through both U Bars and into the screw hole in the seat.
Contour of washers should match curve of bar.



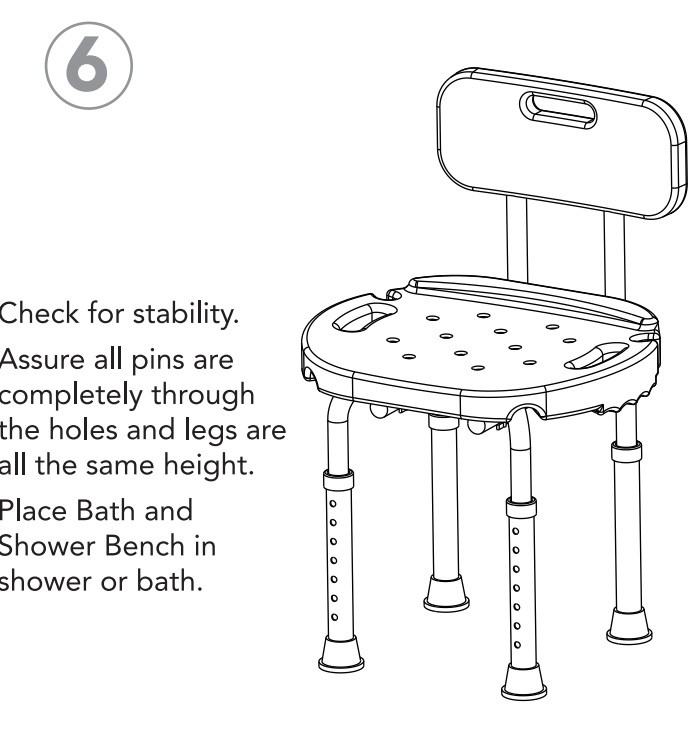
Place L Bar over U Bar holes so holes line up. Screw in using long screws - include washer. Do not tighten yet. Repeat with other L Bar. Tighten the 4 long screws.



Flip the seat over. Slide the Seat Back on the L Bars so the bars go through the holes in the seat back. Secure using small screws.



Slip leg extensions on, push copper pin and slide on, Line up pin and hole so pin pops through leg extension hole completely. Repeat for all 4 legs. Adjust height so all legs are the same height.



Check for stability. Assure all pins are completely through the holes and legs are all the same height. Place Bath and Shower Bench in shower or bath.

Carex Health Brands
PO Box 2526 • Sioux Falls, SD 57101-2526
Phone: 800-328-2935 • Fax: 888-616-4297
www.carex.com



All Rights Reserved
© 2012 Carex Health Brands
42-B65877_00