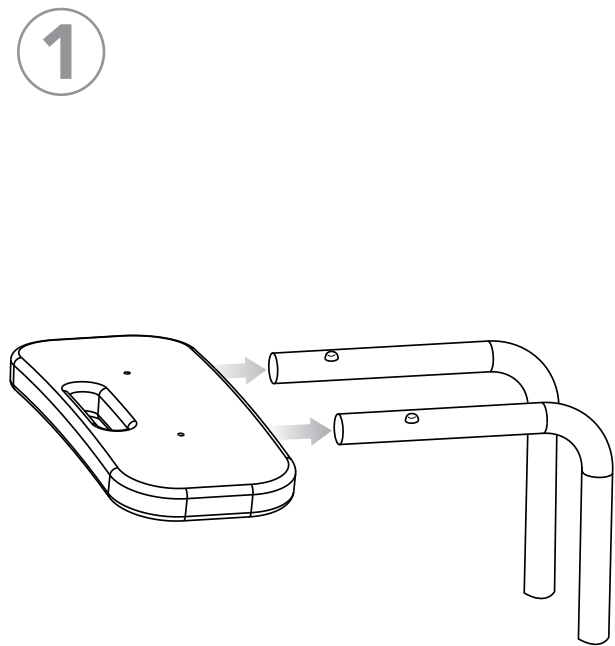


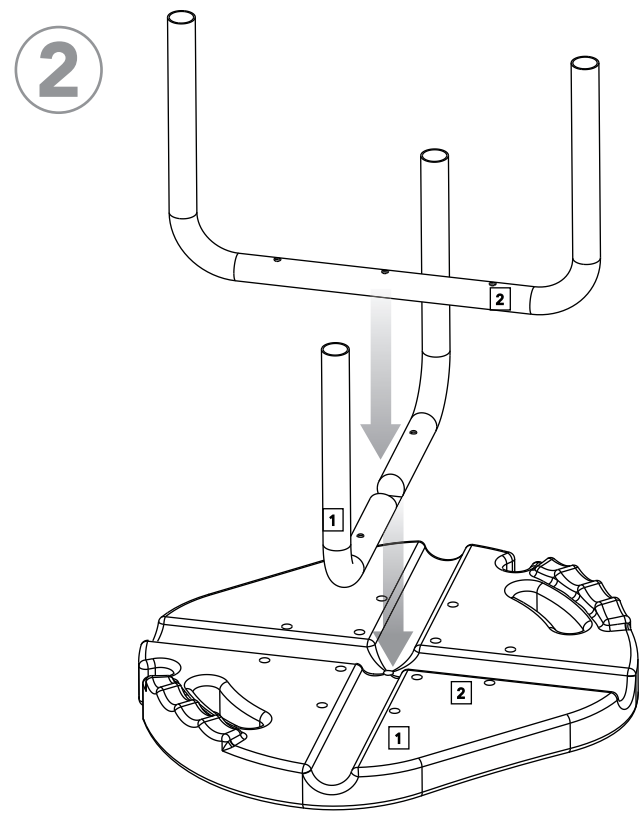
B651

Installation

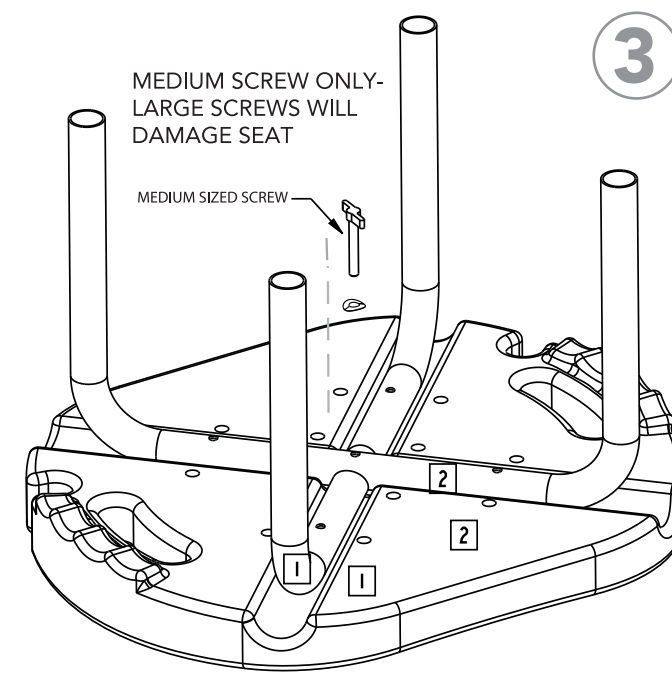
	Backrest x 1		Leg Extensions x 4
	Seat x 1		L Bars x 2
	U Bar x 2 Labeled "1" and "2"		Washers x 5
			Medium Screw x 1
			Long Screws x 4



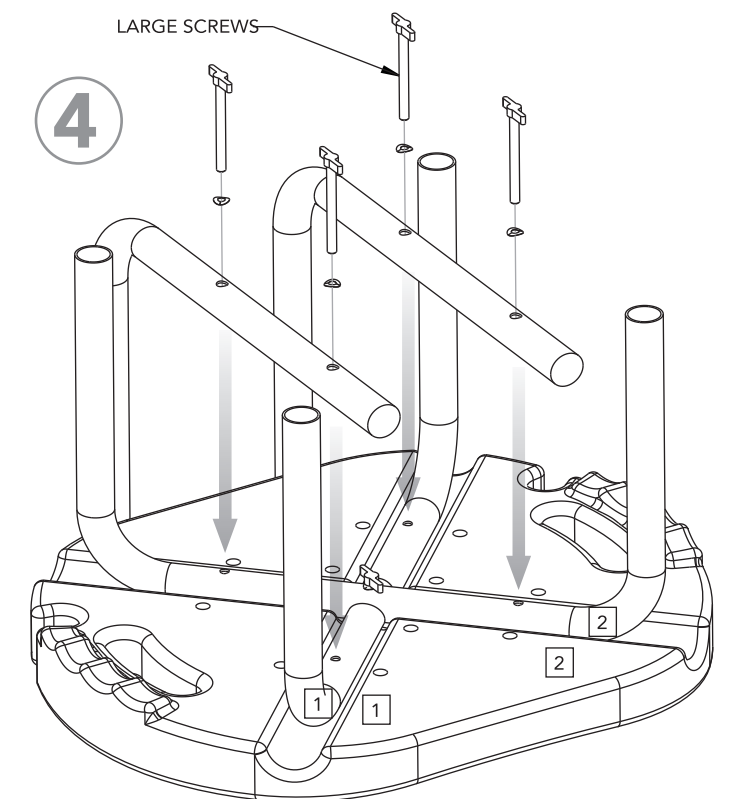
1
Attach backrest to both L Bars. Press in the pop pins and line up with backrest holes. Assure pins are completely through the holes.



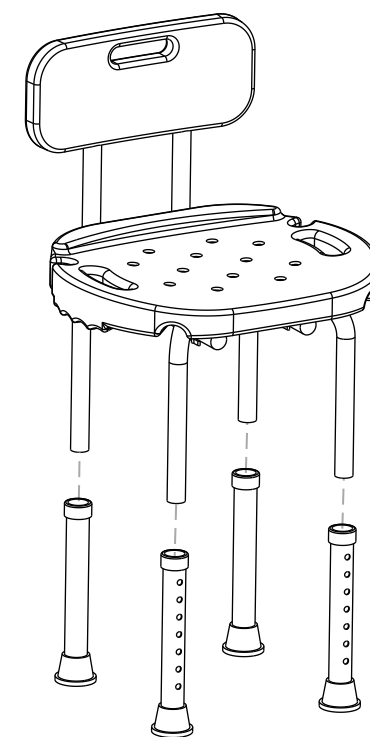
2
Place Seat face down on a table or counter with the seat lip near the edge of the table.
Place U Bar labeled "1" on the groove in the seat so the "1" on the bar is next to the "1" on the seat.
Place the U Bar labeled "2" on the seat so the "2" on the bar is next to the "2" on the seat.



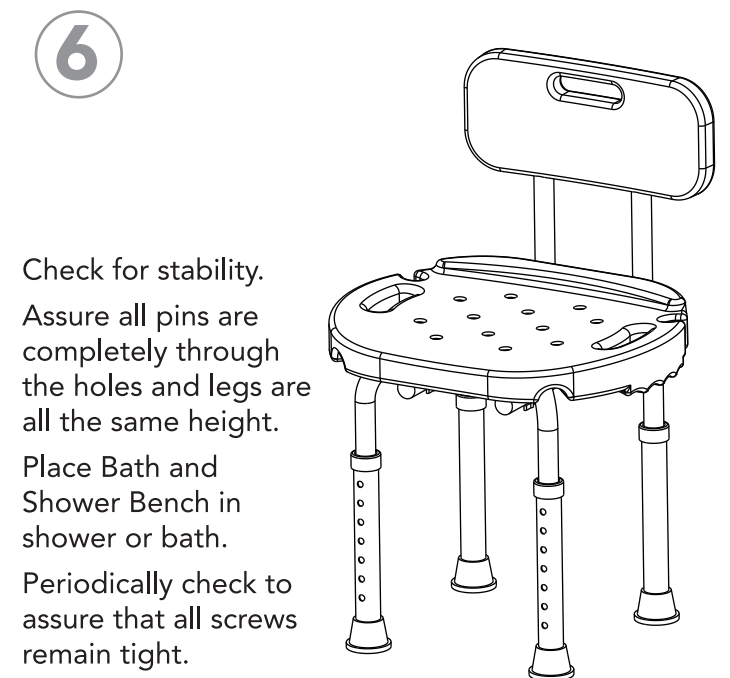
3
Find the 1 Medium Sized Screw - Warning - medium screw must be used for the next step or damage to the seat will occur.
Place medium screw with washer into center hole through both U Bars and into the screw hole in the seat. Contour of washers should match curve of bar.



4
Place L Bar over U Bar holes so holes line up. Screw in using long screws - include washer. Do not tighten yet. Repeat with other L Bar. Tighten the 4 long screws. Tighten the middle medium screw. Periodically check to assure that all screws remain tight.



5
Slip leg extensions on, push copper pin and slide on, Line up pin and hole so pin pops through leg extension hole completely. Repeat for all 4 legs. Adjust height so all legs are the same height.



Carex Health Brands
PO Box 2526 • Sioux Falls, SD 57101-2526
Phone: 800-328-2935 • Fax: 888-616-4297
www.carex.com



All Rights Reserved
© 2012 Carex Health Brands
42-B65100_08