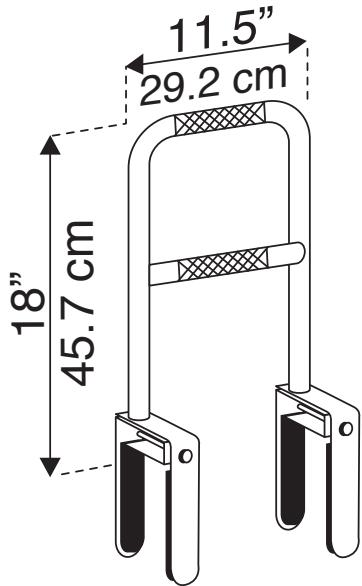
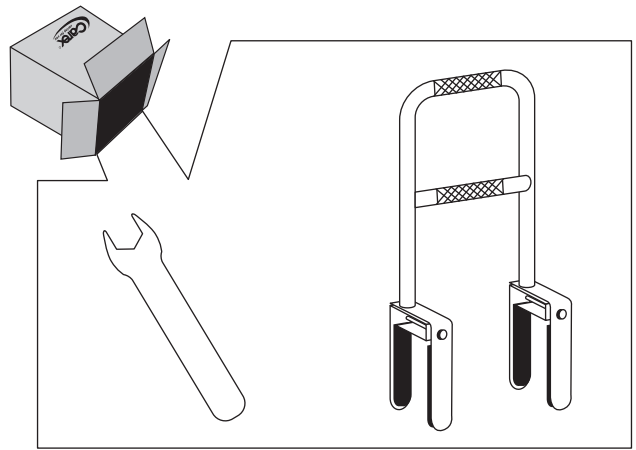


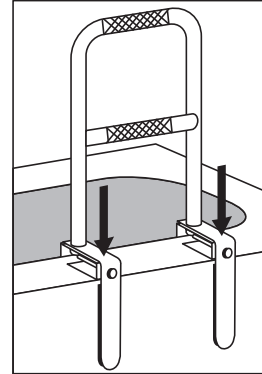
Carex[®]
caring for you



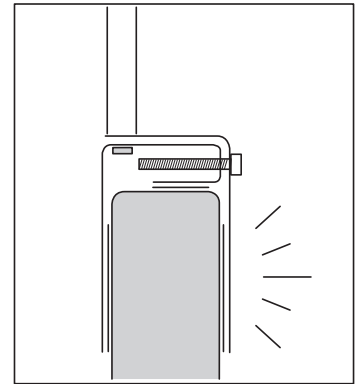
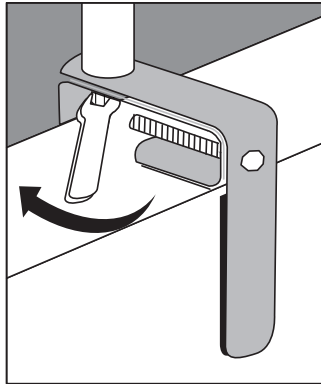
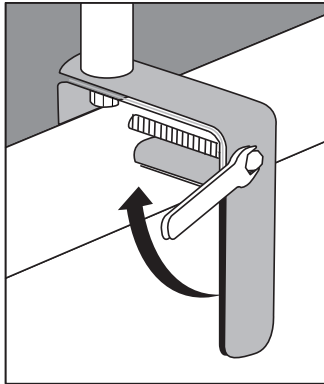
B203



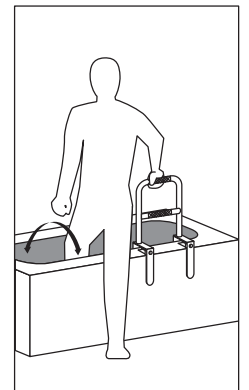
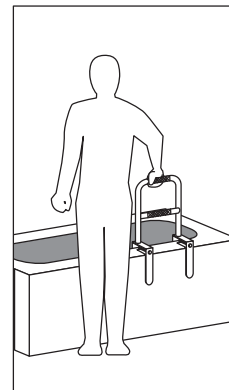
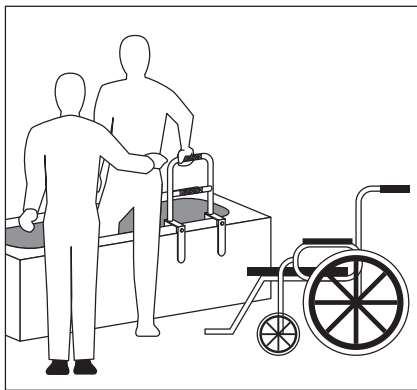
1



2



3



Carex Health Brands
PO Box 2526 • Sioux Falls, SD 57101-2526
Phone: 800-328-2935 • Fax: 888-616-4297
www.carex.com

Carex[®]
caring for you

Carex Health Brands

All Rights Reserved
Printed in China
© 2008 Carex Health Brands
40-B203-00_02