



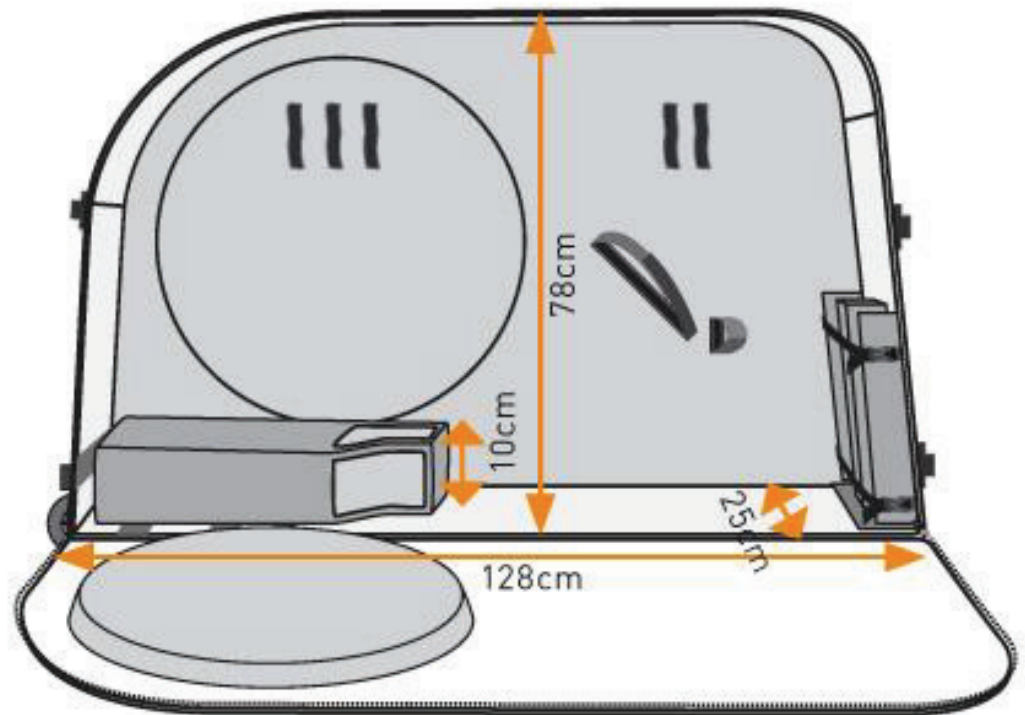
EVOC Bike Travel Bag

Ready for all of your trips by plane, car, train or boat in just minutes—only the handlebar, pedals, and wheels need to be removed for travel.

- Robust system for securing frame and fork
- Integrated padding for drive train protection
- Two padded wheel compartments
- Heavy duty rip stop with 10mm padding and abrasion resistant padding in high wear areas
- Smooth inline skate wheels with steel bearings

Dimensions

Volume: 280L
Size: Outside: 53.2"x15.0"x31.5"
Inside: 50.4"x9.8"x30.7"
Weight: 18.9 lbs
Colors: Black, Blue, Red, Multi-Color
Price: \$475 MSRP

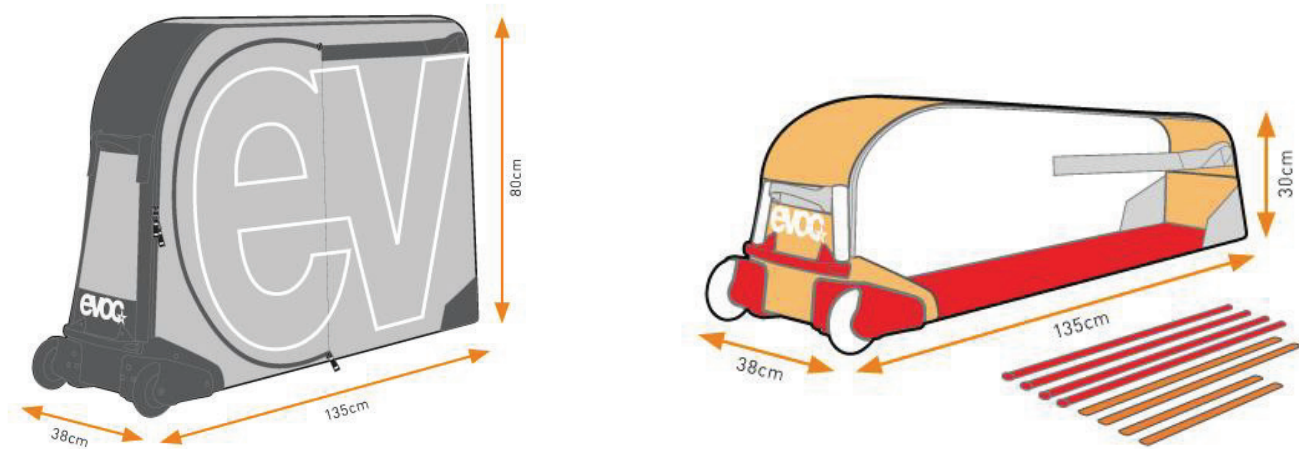


Easy to Handle

The dimensions of the Bike Travel Bags are made so that virtually any bike model will fit easily and safely—large downhill bikes with a dual crown forks, 29'er bikes or a triathlon machine (especially with the addition of the road pad set or aluminum bike stand). With two handles on each side, there is no shortage of easy transport options.

Collapsible

The fiberglass rods and plastic tubes are removable so that the Bike Travel Bag can be folded for storage to a height of only 30 cm.



Maximum Protection, Minimum Weight

The sensitive areas of the bike, through meaningful reinforcement elements (hard plastic / PE plates and pipes, foam padding), are optimally protected from the stresses of travel at critical points.

